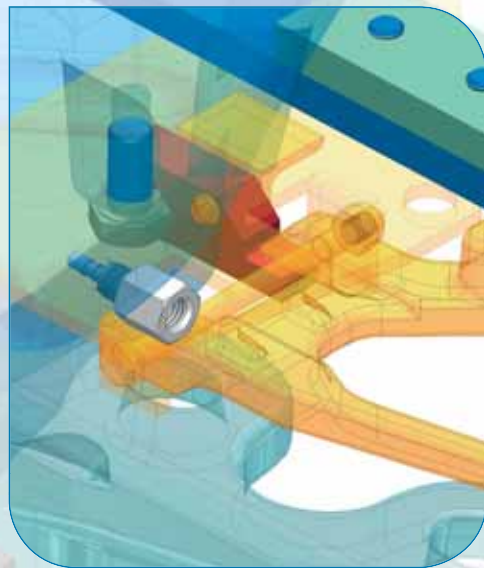




Product catalogue 2005

Systems and components
for modern commercial
vehicles



Product catalogue 2005

We are pleased to present our new product catalogue for 2005.

As one of the largest European suppliers to car and commercial vehicle manufacturers, the name GF Automotive and in particular Georg Fischer Verkehrstechnik is synonymous with quality and safety in road transport.

Fifth wheels and TRILEX® wheels are produced in our own German foundries using modern technology and state-of-the-art casting techniques.

You can find more information about our company and product range as well as the online catalogue in six languages on our homepage: www.vkt.georgfischer.com. If desired, the catalogue is also available on CD-ROM at request.

Products and spare parts can be purchased directly from national dealers and agents. The contact addresses are listed in the catalogue and on our website.

Georg Fischer Verkehrstechnik GmbH

B. Frauenfelder

Beat Frauenfelder
Managing director



NEW
Fifth wheels

6



Mounting plates

70



NEW
Sliders

76



Airflex / Lectroflex

84



NEW
Anti-theft lock

88



Steering wedge

89



Hubodometer

90



Grease cartridge

91



NEW
Ball Races

92



NEW
RAZOR – the power unit

94



Kingpins

96



TRILEX®-wheel system

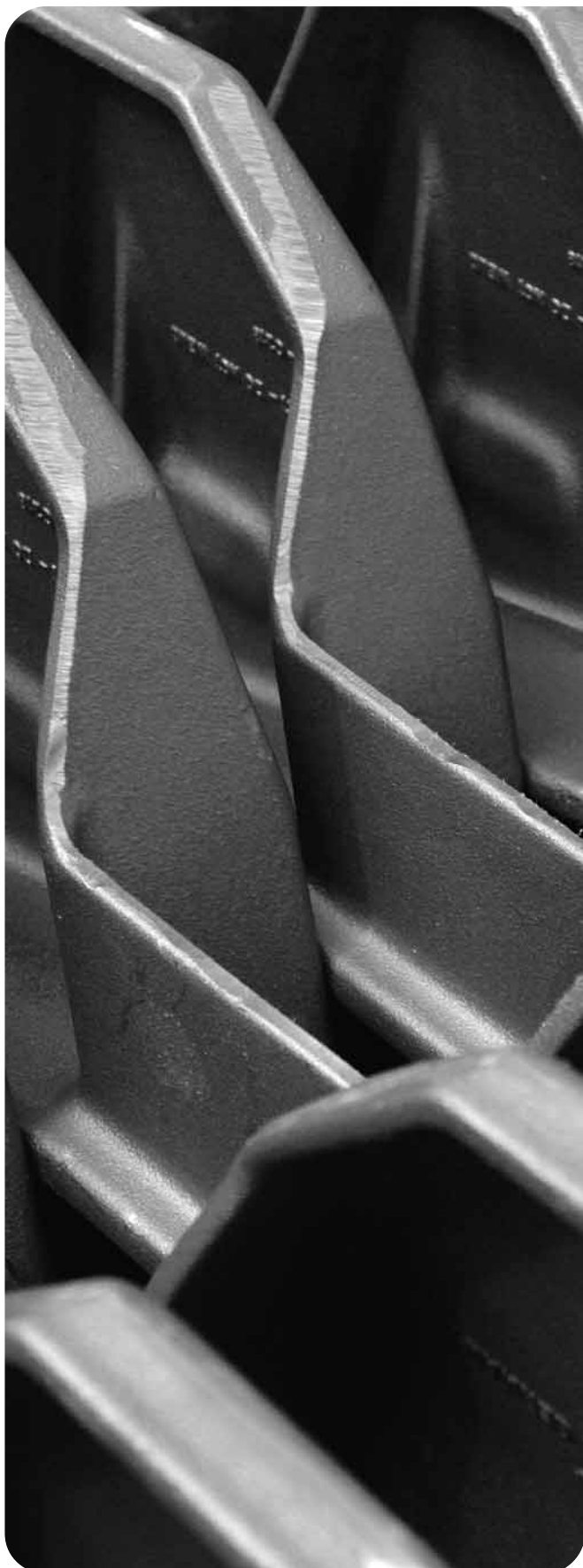
112

Table of contents

Product catalogue 2005.....	1
Georg Fischer Transportation Engineering.....	4
Fifth wheels.....	5
Fifth wheels.....	6
20t imposed load.....	7
SK-S 36.20 PLUS (standard).....	7
Spare parts SK-S 36.20 PLUS.....	8
SK-S 36.20 PLUS W (low maintenance).....	11
Spare parts SK-S 36.20 PLUS W.....	12
SK-S 36.20 PLUS S (RECOSS).....	14
SK-S 36.20 PLUS D (direct mounting).....	19
Spare parts SK-S 36.20 PLUS D.....	20
SK-S 36.20 PLUS DW.....	23
Spare parts SK-S 36.20 PLUS DW.....	24
SK-S 36.20 PLUS V (mounting angles).....	27
Spare parts SK-S 36.20 PLUS V.....	28
SK-S 36.20 PLUS VW (low maintenance).....	31
Spare parts SK-S 36.20 PLUS VW.....	32
SK-S 36.20 H G2 (dual height).....	34
Spare parts SK-S 36.20 H G2.....	36
36t imposed load.....	39
SK-HD 38.36.....	39
Spare parts SK-HD 38.36 from serial no. 40001301.....	40
Spare parts SK-HD 38.36 up to serial no. 40001300.....	42
SK-HD 38.36 G (off-road use).....	45
Spare parts SK-HD 38.36 G from serial no. 40001301.....	46
Spare parts SK-HD 38.36 G up to serial no. 40001300.....	48
3t imposed load.....	50
SK-L 26.3.....	50
Spare parts SK-L 26.3.....	51
Spare parts for previous models.....	53
Spare parts overview.....	53
Spare parts SK-S 36.20 (phased-out range).....	54
Spare parts SK-S 36.20 V (long mounting angles).....	56
Spare parts SK-S 36.20 H / SK-S 36.22 H.....	58
Spare parts SK-S 36.22.....	60
Spare parts SK-S 36.22 W.....	62
Spare parts SK-S 36.22 V / FSK 200 Vo.1.....	64
Spare parts SK-V 36.14.5.....	66
Spare parts SK-M 32.....	68
Mounting plates.....	69
Mounting plates without holes for mounting angles.....	70
Mounting plates with predrilled holes for mounting angles.....	72
Mounting kits.....	73
Slider.....	75
Slider SK-V 20.....	76
Spare parts SK-V 20.....	78
Slider SK-V 22.....	80
Mounting kits.....	82
Accessories.....	83
Airflex (new range).....	84
Lectroflex (new range).....	85
Airtubes (phased-out range).....	86
Lectrotubes (phased-out range).....	87
Anti-theft lock.....	88

Steering wedge	89
Hubodometer	90
Grease cartridge for SK-S 36.20 W	91
Ball Races for drawbar trailers.....	92
RAZOR - the power unit	94
Kingpins	95
Kingpins overview.....	96
Kingpins 50 mm (2")	98
KZ 108, 119, 117, 491	98
KZ 600, 601, 602, 630	99
KZ 046, 173, 174	100
KZ 057, 074, 171	101
KZ 052	102
KZ 604	103
Kingpins 90 mm (3½")	104
KZ 603	104
KZ 170, 241, 304	105
KZ 605, 606, 607	106
KZ 082	107
KZ 083	108
Fitting instructions.....	109
Gauge	110
TRILEX® wheel system.....	111
TRILEX® - the universal wheel system	112
Overview of tyres and rims	114
Tyre and rim combinations	115
Conventional wheelspiders / adaptors.....	116
Rims.....	118
Bolts.....	119
Clamps.....	120
Nuts and sundries for TRILEX® wheels	122
Spacing rings for TRILEX® and TUBLEX® rims	123
Tools.....	124
Valves for TUBLEX® and UNILEX® rims.....	125
Reference lists for wheelspiders / adaptors.....	126
General Terms of Sale.....	128
Sales contact	130

Georg Fischer Verkehrstechnik Competence in transport engineering



Fifth Wheels

Mobility

People are increasingly mobile, and they have ever greater demands for comfort and safety in their vehicles. With its highly stressable cast parts made of light metal and iron, GF Automotive makes it possible to build commercial vehicles that are both light-weight and safe.

Georg Fischer Fifth Wheels are always in the Plus



Fifth wheels - Key components of modern commercial vehicles

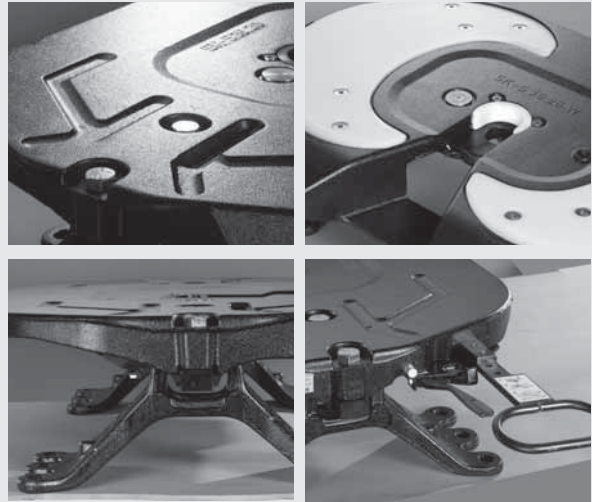
Did you know that a truck has five wheels? However, the so-called fifth wheel is of much greater importance than one would suppose: This key component is the only mechanical link between semi-trailer and tractor. The task of the fifth wheel, in conjunction with the kingpin is to ensure a positive connection between the tractor and trailer, that can withstand all of the forces and the relative turning and torsional movements in the combination.

Georg Fischer fifth wheels have a long service life, low-maintenance requirement, are easy to operate and relatively light. They weigh about 30 kilograms less than comparable products on the market. The few wearing parts of the fifth wheel are made from high-strength materials; if required, they can be replaced within about 20 minutes. The spheroidal graphite cast iron fifth wheels are available for kingpins with 2 or 3.5 inch diameter with imposed loads between 3000 and 36 000 kilograms. They are available in various mounting heights. Dual height and slider versions are available. With its low-maintenance design, Georg Fischer supports the efforts of fleet managers to reduce the maintenance costs for their trucks and protect the environment.

The Fifth wheels leading light

All over the world, commercial vehicle manufacturers are continuously striving to make the main components of their vehicles lighter to save fuel and increase payload. Cast components offer such opportunities.

The optimised spheroidal graphite cast iron SK-S 36.20 PLUS fifth wheel is 7 kilograms lighter. The Plus is the lightest approved 20-ton fifth wheel of its category. Plus also stands for a number of options, such as the RECOSS® safety system. The operation and status of the fifth wheel is monitored with sensors.



Instruction

Specifications regarding load capacity are applicable for operation on sealed roads and transport conditions common to central Europe. Please consult us if operating conditions differ.

We reserve the right to make modifications in dimensions and design if necessary.

Additional product designs and versions are available. We will gladly provide assistance in selecting and composing your order.

Mounting

Observe instructions provided by Georg Fischer and the vehicle manufacturer as well as all relevant laws and regulations. Fifth wheels may be subject to approval by a governmental body!

Operation and maintenance

Follow operating instructions as provided by Georg Fischer and affixed to the fifth wheels.

Original repair kits

All of the movable wear-parts in the fifth wheels are quickly and easily replaced. Use only original Georg Fischer spare parts, available as purpose made repair kits designed to fit the corresponding type of fifth wheel.

SK-S 36.20 PLUS (standard)

The lightweight, cast 20t fifth wheel

- Weight optimised fifth wheel
- Dead weight reduced by 8 kg
- Reliable and robust
- Single-handed operation
- Automatic safety lock
- Simple and safe wear adjustment
- Permanent, maintenance-free bearings
- Optimised lubrication channels for effective grease flow
- Connections for central lubrication



Technical data

Automatic locking

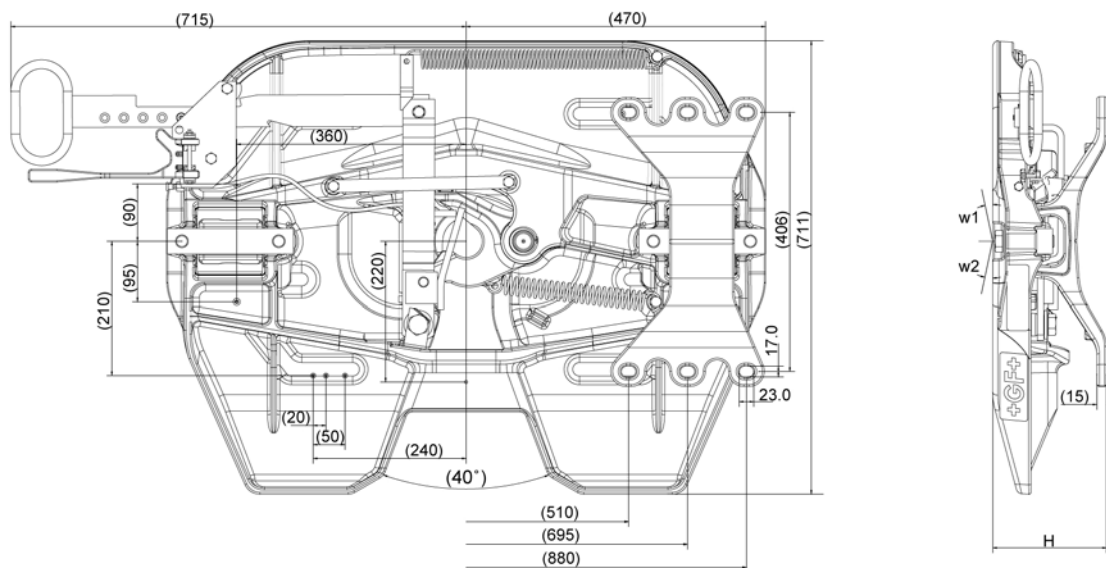
Type	Overall height	Imposed load	D-value	Weight	Angle of inclination	Order no.
	mm	t	kN	kg	degree (w1/w2)	
SK-S 36.20 PLUS	128	20	152	116	4.5° / 6°	662 129 046
SK-S 36.20 PLUS	150	20	152	116	8° / 13°	662 129 047
SK-S 36.20 PLUS	185	20	152	119	17° / 26°	662 129 048
SK-S 36.20 PLUS	225	20	152	121	23° / 30°	662 129 031
SK-S 36.20 PLUS	250	20	152	131	29° / 42°	662 129 049

Locking with carabiner hook

Type	Overall height	Imposed load	D-value	Weight	Angle of inclination	Order no.
	mm	t	kN	kg	degree (w1/w2)	
SK-S 36.20 PLUS	128	20	152	116	4.5° / 6°	662 129 026
SK-S 36.20 PLUS	150	20	152	116	8° / 13°	662 129 027
SK-S 36.20 PLUS	185	20	152	119	17° / 26°	662 129 028
SK-S 36.20 PLUS	225	20	152	121	23° / 30°	662 129 030
SK-S 36.20 PLUS	250	20	152	131	29° / 42°	662 129 029

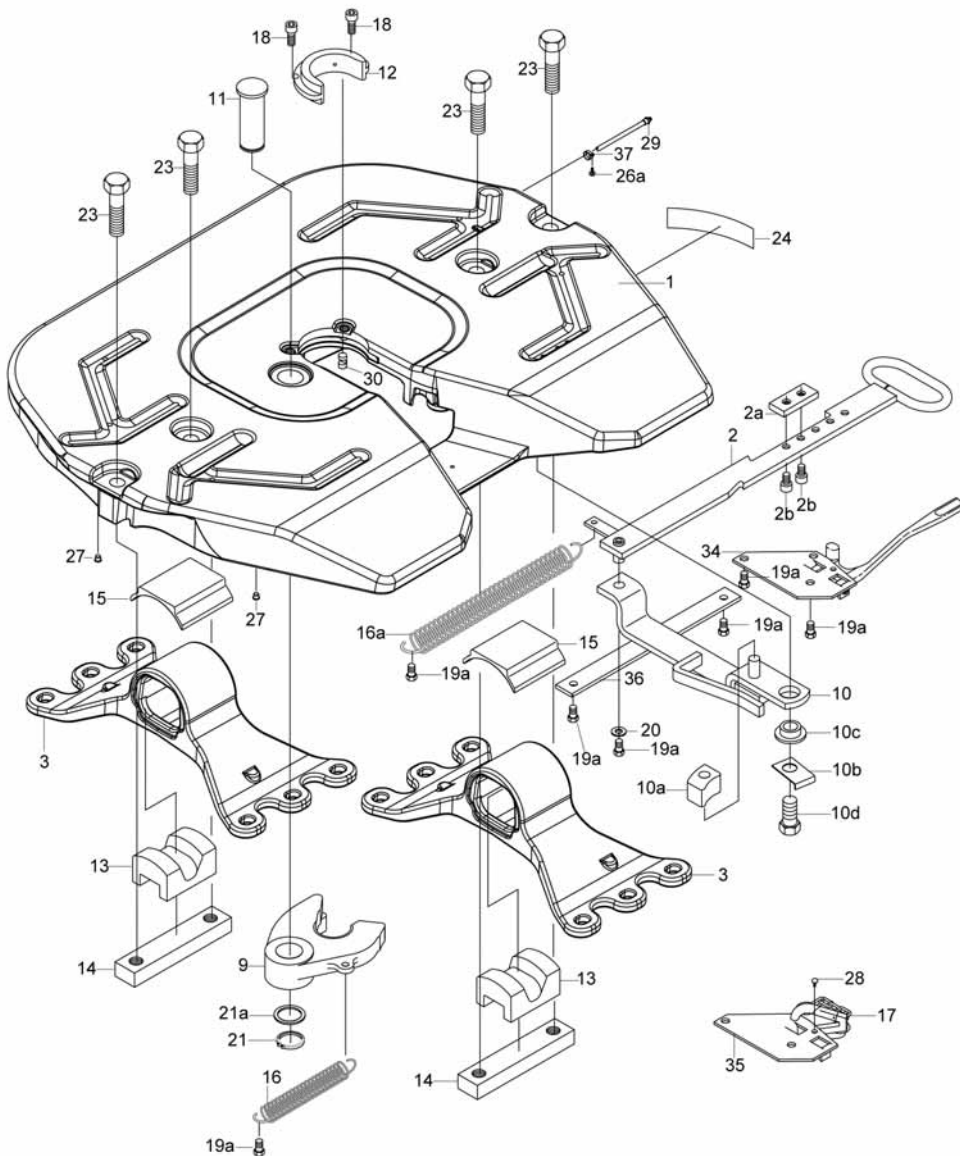
- Tilt angle to ISO 1726 for height 128 mm is only guaranteed with our mounting plate MP 486
- Approved for forced steering
- EU test no.: e 1-00-0218
- Type approval, Germany: M 5134

Dimensions



Mounting hole pattern according to DIN 74081
Subject to modifications in dimensions and design

Spare parts SK-S 36.20 PLUS



Item	Component (price per piece)	Serial no.	Pcs.	Order no.
	Repair kit for locking mechanism and bearings	13000 - ...		662 101 493
	Repair kit for locking mechanism and bearings	0 - 12999		662 101 477
	Repair kit for locking mechanism (9, 11, 12, 18, 21)	13000 - ...		662 101 492
	Repair kit for locking mechanism (9, 11, 12, 18, 21)	0 - 12999		662 101 475
	Repair kit for bearings (13, 15, 23)			662 101 473
	Repair kit for wear ring (12,18)	13000 - ...		662 101 566
	Repair kit for wear ring (12,18)	0 - 12999		662 101 565
1	Fifth wheel plate (PLUS)		1	662 129 471
2	Operating handle, complete (2a, 2b)	13000 - ...	1	662 129 166
2	Operating handle	12000 - 12999	1	662 129 146
2	Operating handle	0 - 11999	1	662 129 130
2a	Adjustment plate	13000 - ...	1	662 129 158
2a	Adjustment plate	0 - 12999	1	662 129 133

Item	Component (price per piece)	Serial no.	Pcs.	Order no.
2b	Cap bolt	13000 - ...	2	659 112 371
2b	Cap bolt	0 - 12999	1	659 100 017
3	Mounting bracket 128 mm		2	662 129 383
3	Mounting bracket 150 mm		2	662 129 484
3	Mounting bracket 185 mm		2	662 129 485
3	Mounting bracket 225 mm		2	662 129 389
3	Mounting bracket 250 mm		2	662 129 386
9	Coupler jaw		1	662 129 134
10	Locking hook	13000 - ...	1	662 129 156
10	Locking hook	12000 - 12999	1	662 129 143
10	Locking hook	0 - 11999	1	662 129 129
10a	Stopper		1	662 129 381
10b	Locking plate		1	662 129 387
10c	Bush		1	662 129 374
10d	Hex. bolt		1	662 129 600
11	Pin		1	662 129 375
12	Wear ring	13000 - ...	1	662 129 377
12	Wear ring	0 - 12999	1	662 129 373
13	Rubber damper		2	662 114 110
14	Tensioning bar		2	662 129 388
15	Bearing insert		2	662 130 101
16	Tension spring		1	662 126 411
16a	Tension spring		1	662 129 317
17	Carabiner hook with chain		1	662 100 574
18	Cap bolt	12999 - ...	2	659 112 372
18	Cap bolt	0 - 13000	2	662 126 155
19a	Hex. bolt	13000 - ...	7	659 112 359
19a	Hex. bolt	0 - 12999	5	662 126 172
20	Washer		1	662 126 175
21	Circlip		1	659 100 027
21a	Supporting washer		1	659 100 026
23	Hex. bolt		4	662 129 606
24	Manufacturer's plate		1	659 120 380
26	Rivet		2	662 126 173
26a	Rivet		1	662 126 179
27	Plastic plug	13000 - ...	4	662 126 223
27	Plastic plug	0 - 12999	2	662 126 223
28	Hammer rivet		1	662 126 151
29	Lubrication tube	13000 - ...	1	659 144 106
29	Lubrication tube	0 - 12999	1	662 129 392
30	Grease plug	13000 - ...	1	662 129 380
34	Automatic latch		1	662 129 153
35	Safety flange for carabiner hook	12000 - ...	1	662 129 147
35	Safety flange for carabiner hook	0 - 11999	1	662 129 376
36	Guide plate		1	662 129 144
37	Lock nut		1	659 100 029
38	Hex. bolt	0 - 12999	2	662 111 202
	Lock nut (not shown)	0 - 12999	1	662 126 176
	Grease nipple (not shown)	0 - 12999	1	662 126 224
	Eyebolt (not shown)	0 - 12999	1	662 126 465
	Plastic plug (not shown)	0 - 12999	4	662 129 393

The spare parts for the SK-S 36.20 PLUS are fully compatible with the SK-S 36.20.
Repair kits also apply to SK-S 36.20 PLUS D.

Notes

SK-S 36.20 PLUS W (low maintenance)

The lightweight, low maintenance cast 20t fifth wheel

- Weight optimised fifth wheel
- Dead weight reduced by 8 kg
- Designed for highway application
- Less grease consumption*
- Plastic wear plates easy to change
- Central lubrication system connection not required
- Single-handed operation
- Automatic safety lock
- Simple and safe wear adjustment
- Permanent, maintenance-free bearings



* For automatic lubrication of the locking mechanism, we recommend the use of our grease dispenser with adaptor.

Technical data

Automatic locking

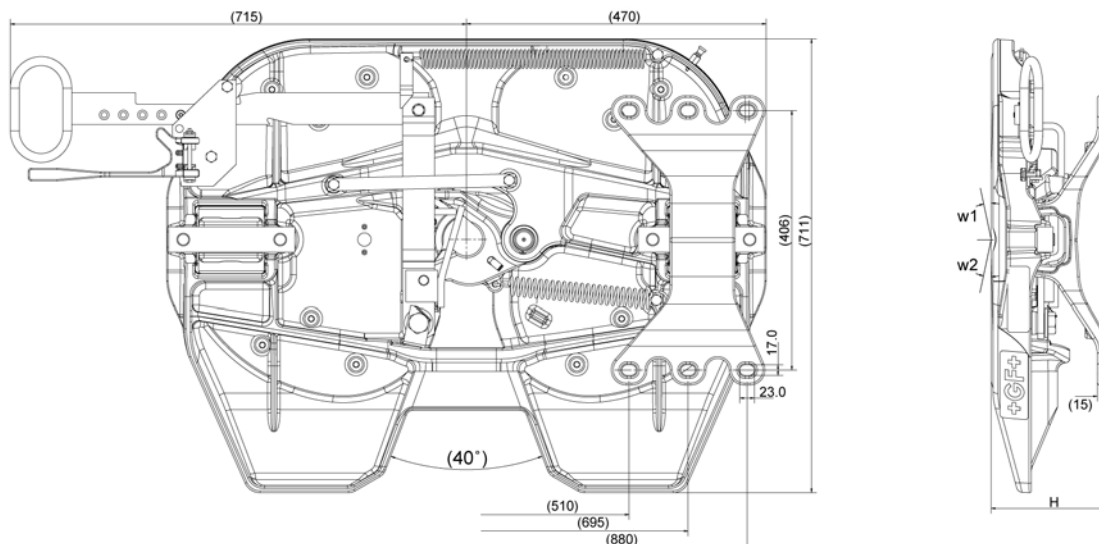
Type	Overall height	Imposed load	D-value	Weight	Angle of inclination	Order no.
	mm	t	kN	kg	degree (w1/w2)	
SK-S 36.20 PLUS W	128	20	152	116	4.5° / 6°	662 131 011
SK-S 36.20 PLUS W	150	20	152	116	8° / 13°	662 131 012
SK-S 36.20 PLUS W	185	20	152	119	17° / 26°	662 131 013
SK-S 36.20 PLUS W	225	20	152	121	23° / 30°	662 131 042
SK-S 36.20 PLUS W	250	20	152	131	29° / 42°	662 131 014

Locking with carabiner hook

Type	Overall height	Imposed load	D-value	Weight	Angle of inclination	Order no.
	mm	t	kN	kg	degree (w1/w2)	
SK-S 36.20 PLUS W	128	20	152	116	4.5° / 6°	662 131 005
SK-S 36.20 PLUS W	150	20	152	116	8° / 13°	662 131 006
SK-S 36.20 PLUS W	185	20	152	119	17° / 26°	662 131 007
SK-S 36.20 PLUS W	225	20	152	121	23° / 30°	662 131 045
SK-S 36.20 PLUS W	250	20	152	131	29° / 42°	662 131 008

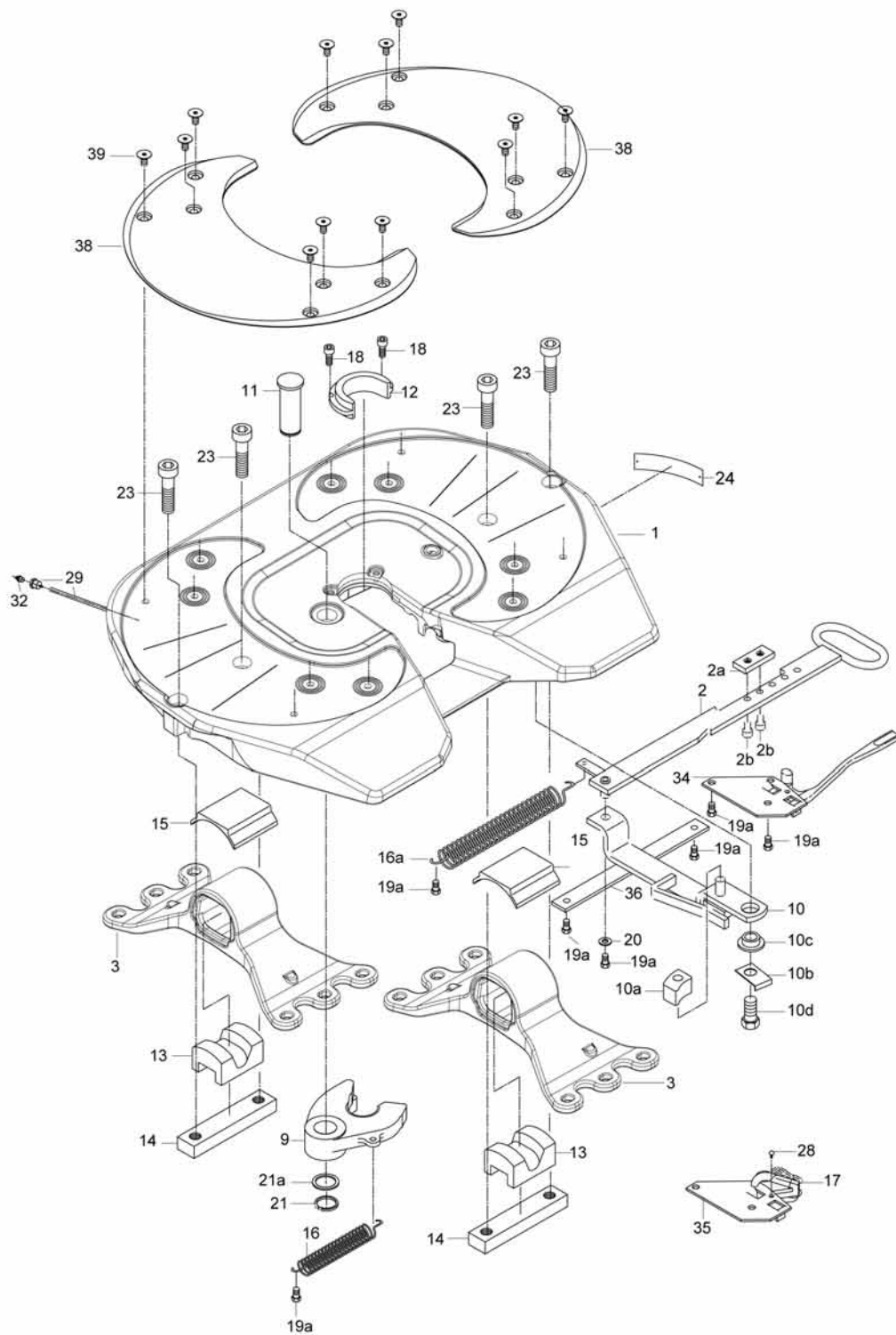
- Tilt angle to ISO 1726 for height 128 mm is only guaranteed with our mounting plate MP 486
- Approved for forced steering
- EU test no.: e 1-00-0218

Dimensions



Mounting hole pattern according to DIN 74081
Subject to modifications in dimensions and design

Spare parts SK-S 36.20 PLUS W



Item	Component (price per piece)	Serial no.	Pcs.	Order no.
	Repair kit for locking mechanism and bearings (9,11,12,13,15,18,21,23)			662 101 516
	Repair kit for locking mechanism (9,11,12,18,21)			662 101 517
	Repair kit for bearings (13,15,23)			662 101 518
	Repair kit for wear plate (38, 39)			662 101 469
	Repair kit for wear ring (12, 18)			662 101 534
1	Fifth wheel plate (PLUS)		1	662 131 471
2	Operating handle, complete (incl. 2a, 2b)		1	662 129 166
2a	Adjustment plate		1	662 129 158
2b	Cap bolt		2	659 112 371
3	Mounting bracket 128 mm		2	662 129 383
3	Mounting bracket 150 mm		2	662 129 484
3	Mounting bracket 185 mm		2	662 129 485
3	Mounting bracket 225 mm		2	662 129 389
3	Mounting bracket 250 mm		2	662 129 386
9	Coupler jaw		1	662 131 107
10	Locking hook		1	662 129 156
10a	Stopper		1	662 129 381
10b	Locking plate		1	662 129 387
10c	Bush		1	662 129 374
10d	Hex. bolt		1	662 129 600
11	Pin		1	662 129 375
12	Wear ring		1	662 131 114
13	Rubber damper		2	662 114 110
14	Tensioning bar		2	662 129 388
15	Bearing insert		2	662 130 101
16	Tension spring		1	662 126 411
16a	Tension spring		1	662 129 317
17	Carabiner hook with chain		1	662 100 574
18	Cap bolt		2	659 112 372
19a	Hex. bolt		7	659 112 359
20	Washer		1	662 126 175
21	Circlip		1	659 100 027
21a	Supporting washer		1	659 100 026
23	Cap bolt		4	659 112 365
24	Manufacturer's plate		1	659 120 380
26	Rivet		2	662 126 173
28	Hammer rivet		1	662 126 151
29	Lubrication tube	35178 - ...	1	659 144 146
29	Lubrication tube	0 - 35177	1	659 144 106
32	Grease nipple	35178 - ...	1	662 126 224
34	Automatic latch		1	662 129 153
35	Safety flange		1	662 129 147
36	Guide plate		1	662 129 144
38	Wear plate		2	662 131 103
39	Flanged screw		12	662 130 114

The spare parts for the SK-S 36.20 PLUS W are fully compatible with the SK-S 36.20 W.
Repair kits also apply to SK-S 36.20 PLUS DW.

RECOSS® Safety Sensor System

Remote Controlled Safety System

Optimum Coupling

The competitive situation in the transport sector is coming to a head, like everywhere else. Cost optimisation is required in all areas. Nobody can afford to have trucks or drivers standing idle.

The proportion of articulated trucks in vehicle fleets is constantly increasing. One of the main components is the fifth wheel as link between semi-trailer and tractor. Its immunity to wear, its reliability and easy operation are essential for determining the perfect function of the articulated truck and therefore also its safety and economic efficiency.

To strengthen the weakest link in the chain, GF Automotive has developed RECOSS® (Remote Controlled Safety System).

Visible Safety

With RECOSS®, Georg Fischer developed the first safety sensor system for fifth wheels. The new three sensor system makes hitching even easier. Status and operation of the fifth wheel are displayed visually and acoustically in the cockpit.

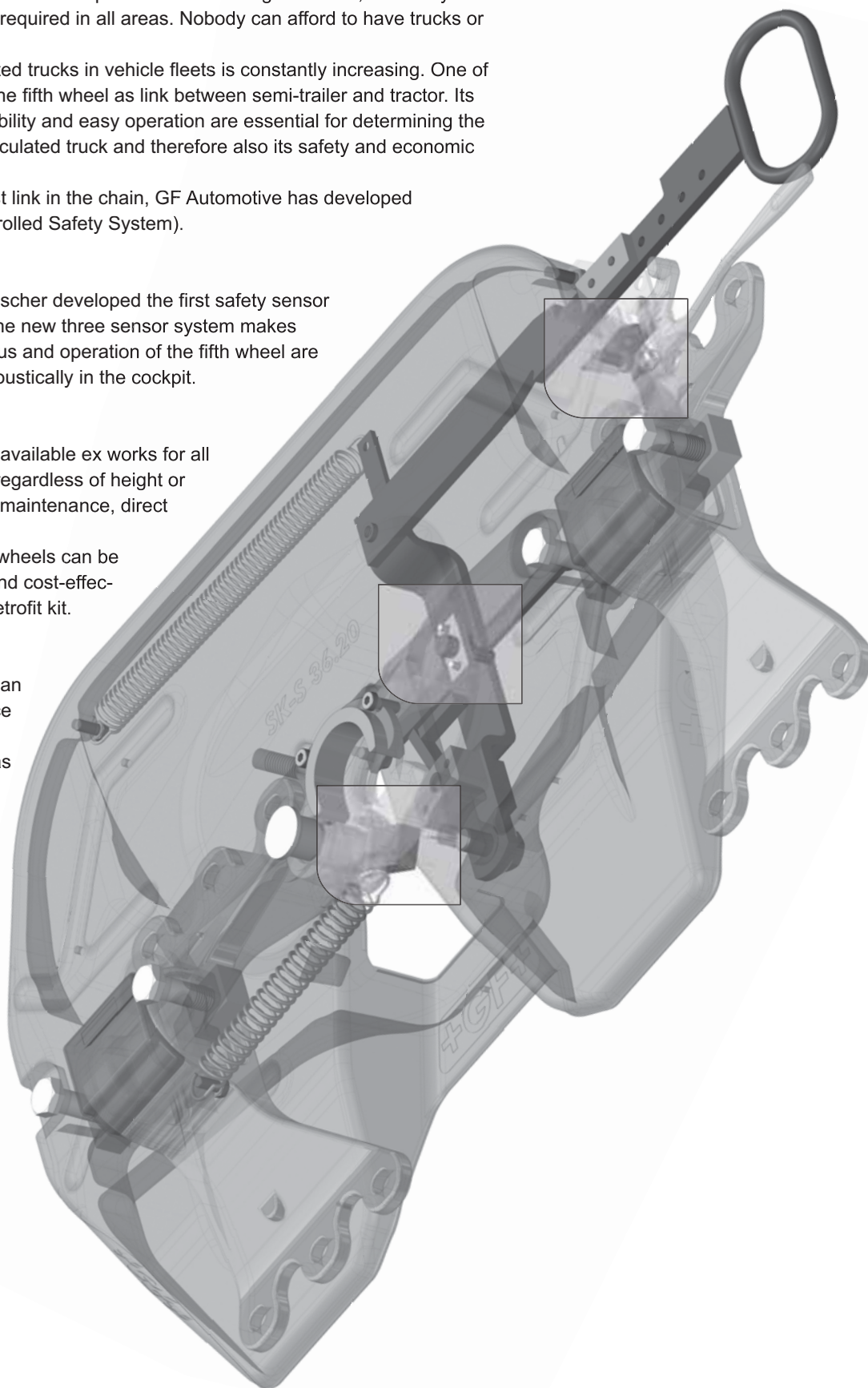
Perfect Safety

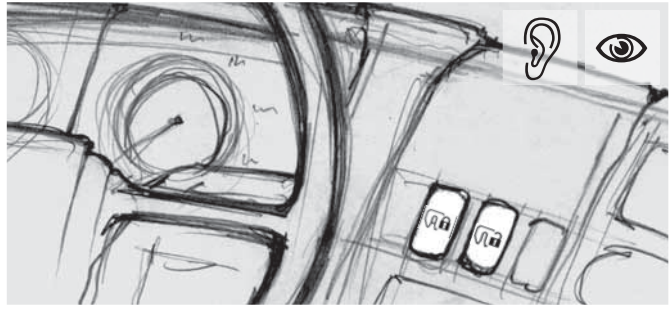
The RECOSS® system is available ex works for all SK-S 36•20 fifth wheels, regardless of height or specification such as low-maintenance, direct mounting or dual-height.

Existing SK-S 36•20 fifth wheels can be upgraded with the easy and cost-effective to install RECOSS® retrofit kit.

Noticeable Lightweight

The SK-S 36•20 PLUS is an economically sound choice offering good value for money: The fifth wheel has few wearing parts and is extremely low-maintenance. The optimised spheroidal graphite cast iron fifth wheel weighs 7 kilograms less. The Plus is for the lightest approved 20-ton fifth wheel of its category.

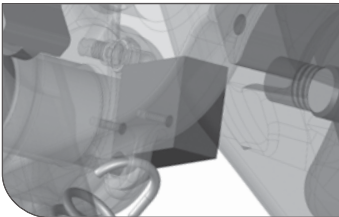
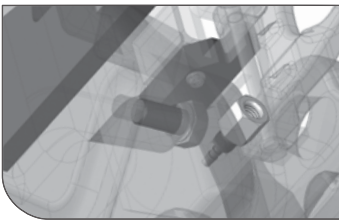




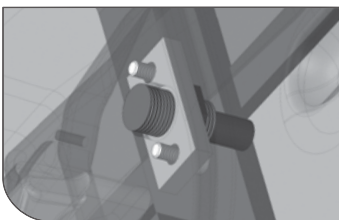
Safety

It is the driver's duty to make sure that everything is engaged and locked correctly – after every coupling process and after every stop. RECOSS® gives the driver electronic assistance in doing this. This reduces the driver's stress considerably. Accidents and unnecessary idle time for vehicle repairs can be avoided.

A RECOSS® sensor indicates the correct hitching height. Two other sensors permanently monitor the condition of the fifth wheel. Any problems are displayed visually and acoustically in the cockpit – that means safe driving.



Sensors 1 and 2 on coupler jaw and automatic latch monitor the safe and correct condition of the fifth wheel on a permanent basis.



Sensor 3 monitors the distance between trailer plate and fifth wheel and ensures the correct position during hitching.



Comfort

RECOSS® enables the monitoring of the entire coupling process from the cab.

The driver does not have to leave the vehicle during bad weather to control the process. That saves time and makes work more pleasant – that means driving with comfort.

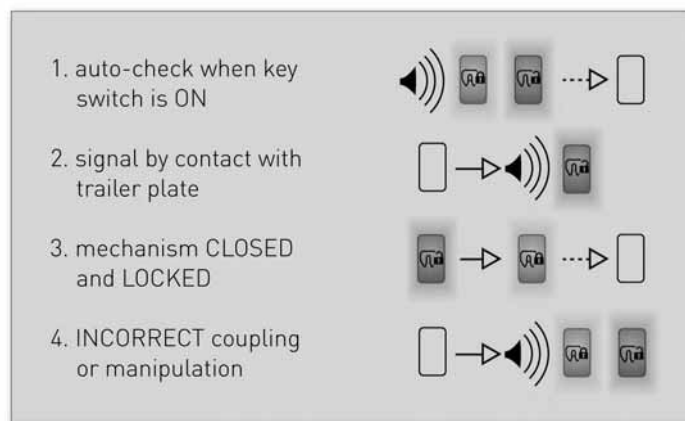


Economic efficiency

The SK-S 36•20 with RECOSS® is also the first choice from an economic point of view. A longer service life is the result of less wear parts and high-quality materials. The increase in comfort and safety with RECOSS® enhances the drivers performance and reduces idle time resulting from tractor faults – that means economic driving.

RECOSS® - the proven safety sensor system for the SK-S 36.20 fifth wheel

Audio and visual display function in drivers cabin.



RECOSS is available for all models of the SK-S 36.20 PLUS fifth wheel. To connect the RECOSS system you will need our RECOSS installation kit.

Model SK-S 36.20 PLUS S (standard, RECOSS)

Type	Overall height	Imposed load	D-value	Weight	Angle of inclination	Order no.
	mm	t	kN	kg	degree (w1/w2)	
SK-S 36.20 PLUS S	128*	20	152	116	4.5° / 6°	662 129 060
SK-S 36.20 PLUS S	150	20	152	116	8° / 13°	662 129 061
SK-S 36.20 PLUS S	185	20	152	119	17° / 26°	662 129 062
SK-S 36.20 PLUS S	225	20	152	121	23° / 30°	662 129 064
SK-S 36.20 PLUS S	250	20	152	131	29° / 42°	662 129 063

- Tilt angle to ISO 1726 for height 128 mm is only guaranteed with our mounting plate MP 486.
- EU test no.: e1-00-0218

Model SK-S 36.20 PLUS WS (low maintenance, RECOSS)

Type	Overall height	Imposed load	D-value	Weight	Angle of inclination	Order no.
	mm	t	kN	kg	degree (w1/w2)	
SK-S 36.20 PLUS WS	128*	20	152	116	4.5° / 6°	662 131 037
SK-S 36.20 PLUS WS	150	20	152	116	8° / 13°	662 131 038
SK-S 36.20 PLUS WS	185	20	152	119	17° / 26°	662 131 039
SK-S 36.20 PLUS WS	225	20	152	121	23° / 30°	662 131 041
SK-S 36.20 PLUS WS	250	20	152	131	29° / 42°	662 131 040

- Tilt angle to ISO 1726 for height 128 mm is only guaranteed with our mounting plate MP 486.
- For automatic lubrication of the locking mechanism, we recommend the use of our grease dispenser with adaptor.
- EU test no.: e1-00-0218

Model SK-S 36.20 PLUS DS (direct mounting, RECOSS)

Type	Overall height	Imposed load	D-value	Weight	Angle of inclination	Order no.
	mm	t	kN	kg	degree (w1/w2)	
SK-S 36.20 PLUS DS	148*	20	152	126*	9.5° / 13°	662 129 225
SK-S 36.20 PLUS DS	190	20	152	135	19° / 25°	662 129 226
SK-S 36.20 PLUS DS	225	20	152	143	24° / 30°	662 129 227

- * Additional vendor-specific mounting plate
- Please indicate vehicle type when placing orders (Mercedes-Benz, MAN, IVECO, DAF,...)
- EU test no.: e1-00-0218

Model SK-S 36.20 PLUS DWS (direct mounting, low maintenance, RECOSS)

Type	Overall height	Imposed load	D-value	Weight	Angle of inclination	Order no.
	mm	t	kN	kg	degree (w1/w2)	
SK-S 36.20 PLUS DWS	148*	20	152	126*	9.5° / 13°	662 131 046
SK-S 36.20 PLUS DWS	190	20	152	135	19° / 25°	662 131 047
SK-S 36.20 PLUS DWS	225	20	152	143	24° / 30°	662 131 048

- * Additional OEM specific mounting plate
- Please indicate vehicle type when placing orders (Mercedes-Benz, MAN, IVECO, DAF,...)
- For automatic lubrication of the locking mechanism, we recommend the use of our grease dispenser with adaptor.
- EU test no.: e1-00-0218

Model SK-S 36.20 HS (dual height, RECOSS)

- RECOSS order no. for SK-S 36.20 H G2 see page 36

Model SK-S 36.20 PLUS VS (mounting angle, RECOSS, VOLVO)

Type	Overall height	Imposed load	D-value	Weight	Angle of inclination	Length L	Order no.
	mm	t	kN	kg	degree (w1/w2)	mm	
SK-S 36.20 PLUS VS	160	20	152,3	146	13° / 15°	462,5	662 129 228
SK-S 36.20 PLUS VS	160	20	152,3	146	13° / 15°	437,5	662 129 231
SK-S 36.20 PLUS VS	200	20	152,3	150	20° / 23°	462,5	662 129 229
SK-S 36.20 PLUS VS	200	20	152,3	150	20° / 23°	437,5	662 129 232
SK-S 36.20 PLUS VS	230	20	152,3	153	24° / 30°	462,5	662 129 230
SK-S 36.20 PLUS VS	230	20	152,3	153	24° / 30°	437,5	662 129 233

- Angle of inclination in accordance with ISO 1726
- EU test no.: e1-00-0218

Model SK-S 36.20 VS with central lubrication kit (mounting angle, RECOSS, VOLVO)

Type	Overall height	Imposed load	D-value	Weight	Angle of inclination	Length L	Order no.
	mm	t	kN	kg	degree (w1/w2)	mm	
SK-S 36.20 PLUS VS	160	20	152,3	146	13° / 15°	462,5	662 129 236
SK-S 36.20 PLUS VS	160	20	152,3	146	13° / 15°	437,5	662 129 239
SK-S 36.20 PLUS VS	200	20	152,3	150	20° / 23°	462,5	662 129 237
SK-S 36.20 PLUS VS	200	20	152,3	150	20° / 23°	437,5	662 129 240
SK-S 36.20 PLUS VS	230	20	152,3	153	24° / 30°	462,5	662 129 238
SK-S 36.20 PLUS VS	230	20	152,3	153	24° / 30°	437,5	662 129 241

- Angle of inclination in accordance with ISO 1726
- EU test no.: e1-00-0218

Model SK-S 36.20 PLUS VWS (mounting angle, low maintenance, RECOSS, VOLVO)

Type	Overall height	Imposed load	D-value	Weight	Angle of inclination	Length L	Order no.
	mm	t	kN	kg	degree (w1/w2)	mm	
SK-S 36.20 PLUS VWS	160	20	152,3	146	13° / 15°	462,5	662 131 055
SK-S 36.20 PLUS VWS	160	20	152,3	146	13° / 15°	437,5	662 131 065
SK-S 36.20 PLUS VWS	200	20	152,3	150	20° / 23°	462,5	662 131 056
SK-S 36.20 PLUS VWS	200	20	152,3	150	20° / 23°	437,5	662 131 066
SK-S 36.20 PLUS VWS	230	20	152,3	153	24° / 30°	462,5	662 131 057
SK-S 36.20 PLUS VWS	230	20	152,3	153	24° / 30°	437,5	662 131 067

- Angle of inclination in accordance with ISO 1726
- For automatic lubrication of the locking mechanism, we recommend the use of our grease dispenser with adaptor.
- EU test no.: e1-00-0218

RECOSS® installation kits

Our RECOSS installation kits contain all necessary components (electric control unit and wiring loom) for connecting the sensor safety system. Not included are the indicator lights which must be separately ordered from the respective vehicle manufacturer.

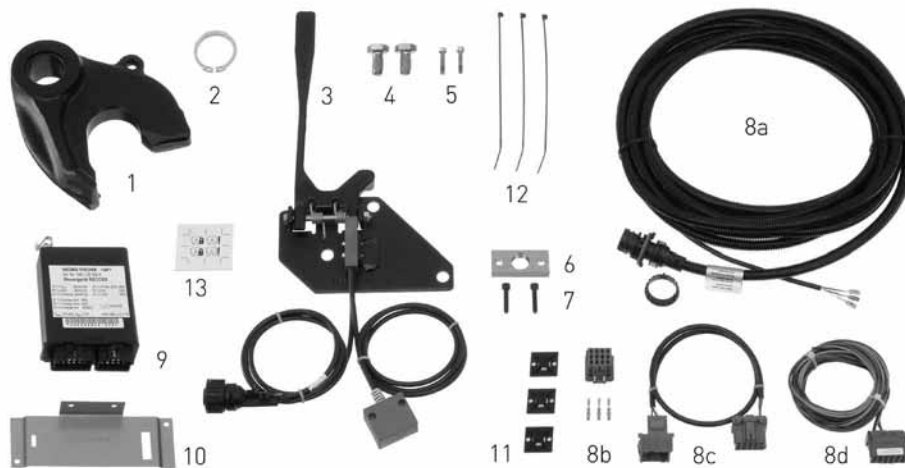
Type	Order no.
Installation kit for all SK-S 36.20 PLUS models	662 129 343
Installation kit for all SK-S 36.20 PLUS models (ADR version)	662 129 344

RECOSS® conversion kits

All models of the SK-S 36.20 and SK-S 36.20 W can be retro-fitted with our RECOSS 2 sensor safety system.

Type	Order no.
Conversion kit for SK-S 36.20, complete	662 129 188
Conversion kit for SK-S 36.20 W, complete	662 129 189

RECOSS® spare parts



Item	Type	Pcs.	Order no.
	Repair kit for lock mechanism SK-S 36.20 S		662 101 716
	Repair kit for lock mechanism and bearings SK-S 36.20 S		662 101 717
	Repair kit for lock mechanism SK-S 36.20 WS		662 101 718
	Repair kit for lock mechanism and bearings SK-S 36.20 WS		662 101 719
1	Coupler jaw SK-S 36.20 S	1	662 129 161
1	Coupler jaw SK-S 36.20 WS	1	662 131 115
2	Circlip	1	659 100 027
3	Automatic latch, complete (2 sensors)		662 129 165
3	Automatic latch, complete		662 129 174
4	Bolts for lock mechanism (M10)	2	659 112 359
5	Bolts for coupler jaw sensor (M4)	2	659 112 376
6	Bracket for top plate sensor	1	662 129 195
7	Bolts for top plate sensor (M6)	2	659 112 352
8	Wiring loom 2 sensors (8a, 8b, 8c, 8d)		662 129 170
8	Wiring loom 3 sensors (8a, 8b, 8c, 8d)		662 129 173
9	Electronic control unit (ADR / GGVS type)	1	662 129 184
10	Mounting adaptor for control unit	1	662 129 169
11	Cable clip	3	662 129 168
12	Cable tie	3	659 100 045
13	Labels for indicator lights	1	662 129 190
	RECOSS installation and operating manual	1	662 129 187

SK-S 36.20 PLUS D (direct mounting)

The compact, lightweight fifth wheel

The new lightweight fifth wheel, without mounting plate, for 2-axle 18t semi-trailer tractors for highway application.

- Easy to mount directly on the vehicle chassis
- Weight optimized fifth wheel: higher payload
- Single-handed operation
- Automatic safety lock
- Simple and safe wear adjustment
- Permanent, maintenance-free bearing
- Optimised lubrication channels for effective grease flow
- EU test no.: e1-00-0218



Technical data

Mercedes-Benz model

Type	Overall height	Imposed load	D-value	Weight	Angle of inclination	Locking mechanism	Order no.
	mm	t	kN	kg	degree (w1/w2)		
SK-S 36.20 PLUS D	148*	20	152	126*	9.5° / 13°	AS	662 129 200 01
SK-S 36.20 PLUS D	190	20	152	135	19° / 25°	AS	662 129 201 01
SK-S 36.20 PLUS D	225	20	152	143	24° / 30°	AS	662 129 202 01
SK-S 36.20 PLUS D	148*	20	152	126*	9.5° / 13°	KH	662 129 203 01
SK-S 36.20 PLUS D	190	20	152	135	19° / 25°	KH	662 129 204 01
SK-S 36.20 PLUS D	225	20	152	143	24° / 30°	KH	662 129 205 01

- * Additional vendor-specific mounting plate (12 mm / 39 kg)
- (AS) automatic locking / (KH) carabiner hook

MAN model

Type	Overall height	Imposed load	D-value	Weight	Angle of inclination	Locking mechanism	Order no.
	mm	t	kN	kg	degree (w1/w2)		
SK-S 36.20 PLUS D	148*	20	152	126*	9.5° / 13°	AS	662 129 200 02
SK-S 36.20 PLUS D	190	20	152	135	19° / 25°	AS	662 129 201 02
SK-S 36.20 PLUS D	225	20	152	143	24° / 30°	AS	662 129 202 02

- * Additional vendor-specific mounting plate (8 mm / 18 kg)

IVECO model

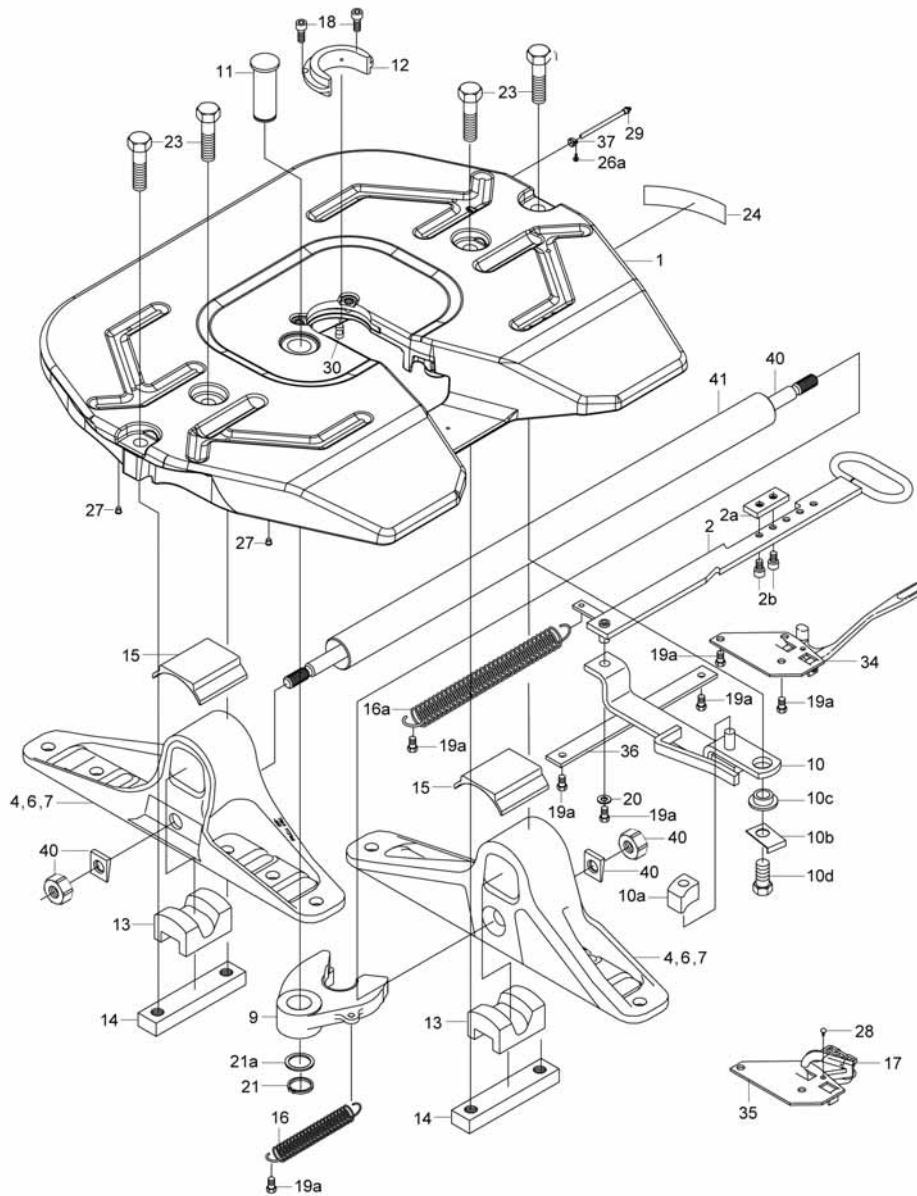
Type	Overall height	Imposed load	D-value	Weight	Angle of inclination	Locking mechanism	Order no.
	mm	t	kN	kg	degree (w1/w2)		
SK-S 36.20 PLUS D	148*	20	152	126*	9.5° / 13°	AS	662 129 200 03
SK-S 36.20 PLUS D	190	20	152	135	19° / 25°	AS	662 129 201 03
SK-S 36.20 PLUS D	225	20	152	143	24° / 30°	AS	662 129 202 03

- * Additional vendor-specific mounting plate (8 mm / 40 kg)

DAF model

Type	Overall height	Imposed load	D-value	Weight	Angle of inclination	Locking mechanism	Order no.
	mm	t	kN	kg	degree (w1/w2)		
SK-S 36.20 PLUS D	190	20	152	135	19° / 25°	AS	662 129 201 04
SK-S 36.20 PLUS D	225	20	152	143	24° / 30°	AS	662 129 202 04

Spare parts SK-S 36.20 PLUS D



Item	Component (price per piece)	Model	Pcs.	Order no.
	Repair kit for locking mechanism and bearings (9,11,12,13,15,18,21,23)			662 101 493
	Repair kit for locking mechanism (9,11,12,18,21)			662 101 492
	Repair kit for bearings (13,15,23)			662 101 473
	Repair kit for wear ring (12,18)			662 101 566
1	Fifth wheel plate (PLUS)		1	662 129 471
2	Operating handle, complete			662 129 166
2a	Adjustment plate		1	662 129 158
2b	Cap bolt		2	659 112 371
4	Mounting bracket 148 mm	Mercedes-Benz	2	662 131 120
4	Mounting bracket 148 mm	MAN	2	662 131 121
4	Mounting bracket 148 mm	IVECO	2	662 131 122
4	Mounting bracket 148 mm	DAF	2	662 131 123
6	Mounting bracket 190 mm	Mercedes-Benz	2	662 131 125
6	Mounting bracket 190 mm	MAN	2	662 131 126
6	Mounting bracket 190 mm	IVECO	2	662 131 127

Item	Component (price per piece)	Model	Pcs.	Order no.
6	Mounting bracket 190 mm	DAF	2	662 131 128
7	Mounting bracket 225 mm	Mercedes-Benz	2	662 131 130
7	Mounting bracket 225 mm	MAN	2	662 131 131
7	Mounting bracket 225 mm	IVECO	2	662 131 132
7	Mounting bracket 225 mm	DAF	2	662 131 133
9	Coupler jaw		1	662 129 134
10	Locking hook complete		1	662 129 156
10a	Stopper		1	662 129 381
10b	Locking plate		1	662 129 387
10c	Bush		1	662 129 374
10d	Hex. bolt		1	662 129 600
11	Pin		1	662 129 375
12	Wear ring		1	662 129 377
13	Rubber damper		2	662 114 110
14	Tensioning bar		2	662 129 388
15	Bearing insert		2	662 130 101
16	Tension spring		1	662 126 411
16a	Tension spring		1	662 129 317
17	Carabiner hook with chain		1	662 100 574
18	Cap bolt		2	659 112 372
19a	Hex. bolt		7	659 112 359
20	Washer		1	662 126 175
21	Circlip		1	659 100 027
21a	Supporting washer		1	659 100 026
23	Hex. bolt		4	662 129 606
24	Manufacturer's plate		1	659 120 380
26	Rivet		2	662 126 173
26a	Rivet		1	662 126 179
27	Plastic plug		4	662 126 223
28	Hammer rivet		1	662 126 151
29	Lubrication tube complete		1	659 144 106
30	Grease plug		1	662 129 380
34	Automatic latch		1	662 129 153
35	Safety flange for carabiner hook		1	662 129 155
36	Guide plate		1	662 129 144
37	Lock nut		1	659 100 029
40	Tie rod complete		1	662 131 142
41	Strut Ø 51 mm,		1	662 131 143
41	Strut Ø 60.3 mm, for DAF model, height 225 mm		1	662 131 139

The spare parts for the SK-S 36.20 PLUS D are fully compatible with the SK-S 36.20 D.
Repair kits also apply to SK-S 36.20 PLUS.

Notes

SK-S 36.20 PLUS DW

The compact, low maintenance, lightweight fifth wheel

The new lightweight fifth wheel, without mounting plate, for 2-axle 18t semi-trailer tractors for highway application

- Easy to mount directly on the vehicle chassis
- Weight optimized fifth wheel: higher payload
- Less grease consumption*
- Plastic wear plates easy to change
- Single-handed operation
- Automatic safety lock
- Simple and safe wear adjustment
- Permanent, maintenance-free bearing
- EU test no.: e1-00-0218



* For automatic lubrication of the locking mechanism, we recommend the use of our grease dispenser with adaptor.

Technical data

Mercedes-Benz model

Type	Overall height	Imposed load	D-value	Weight	Angle of inclination	Locking mechanism	Order no.
	mm	t	kN	kg	degree (w1/w2)		
SK-S 36.20 PLUS DW	148*	20	152	126*	9.5° / 13°	AS	662 131 016 01
SK-S 36.20 PLUS DW	190	20	152	135	19° / 25°	AS	662 131 017 01
SK-S 36.20 PLUS DW	225	20	152	143	24° / 30°	AS	662 131 018 01
SK-S 36.20 PLUS DW	148*	20	152	126*	9.5° / 13°	KH	662 131 019 01
SK-S 36.20 PLUS DW	190	20	152	135	19° / 25°	KH	662 131 020 01
SK-S 36.20 PLUS DW	225	20	152	143	24° / 30°	KH	662 131 021 01

- * Additional vendor-specific mounting plate (12 mm/ 39 kg)
- (AS) automatic locking / (KH) carabiner hook

MAN model

Type	Overall height	Imposed load	D-value	Weight	Angle of inclination	Locking mechanism	Order no.
	mm	t	kN	kg	degree (w1/w2)		
SK-S 36.20 PLUS DW	148*	20	152	126*	9.5° / 13°	AS	662 131 016 02
SK-S 36.20 PLUS DW	190	20	152	135	19° / 25°	AS	662 131 017 02
SK-S 36.20 PLUS DW	225	20	152	143	24° / 30°	AS	662 131 018 02

- * Additional vendor-specific mounting plate (8 mm/ 18 kg)

IVECO model

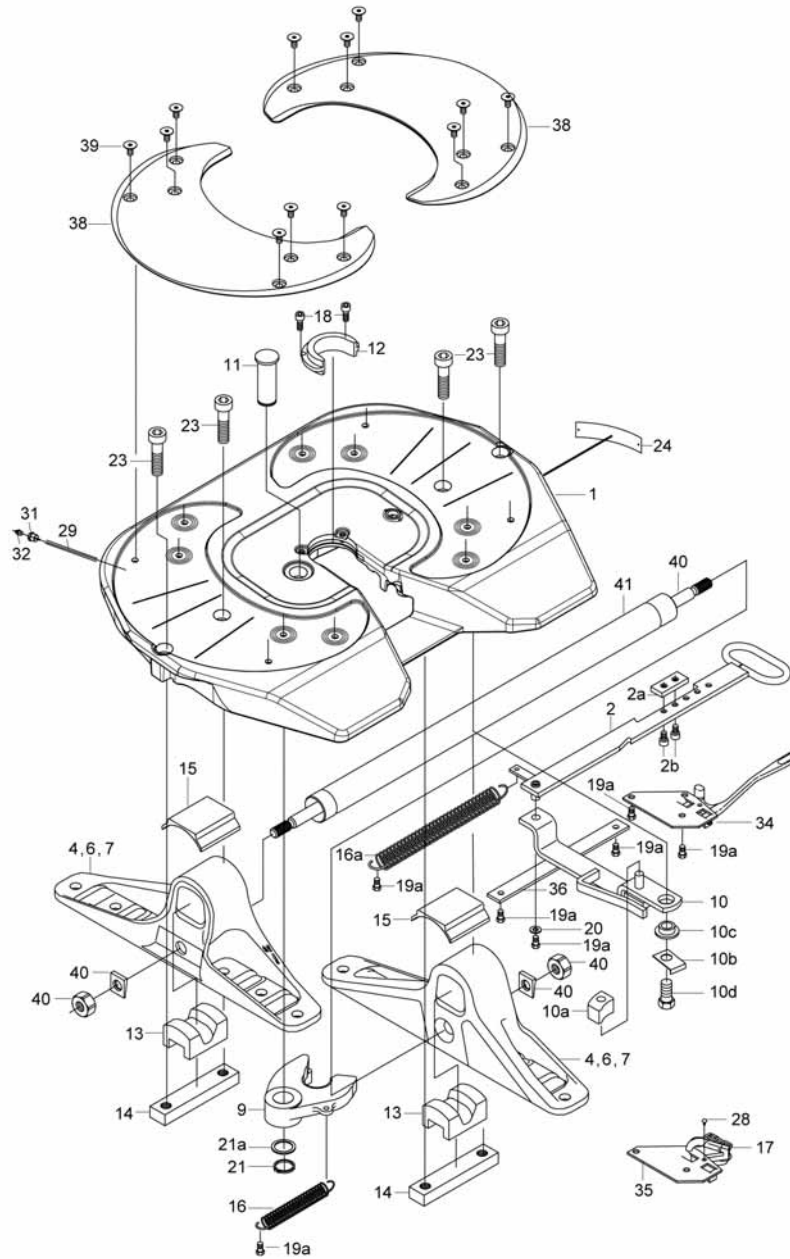
Type	Overall height	Imposed load	D-value	Weight	Angle of inclination	Locking mechanism	Order no.
	mm	t	kN	kg	degree (w1/w2)		
SK-S 36.20 PLUS DW	148*	20	152	126*	9.5° / 13°	AS	662 131 016 03
SK-S 36.20 PLUS DW	190	20	152	135	19° / 25°	AS	662 131 017 03
SK-S 36.20 PLUS DW	225	20	152	143	24° / 30°	AS	662 131 018 03

- * Additional vendor-specific mounting plate (8 mm/ 40 kg)

DAF model

Type	Overall height	Imposed load	D-value	Weight	Angle of inclination	Locking mechanism	Order no.
	mm	t	kN	kg	degree (w1/w2)		
SK-S 36.20 PLUS DW	190	20	152	135	19° / 25°	AS	662 131 017 04
SK-S 36.20 PLUS DW	225	20	152	143	24° / 30°	AS	662 131 018 04

Spare parts SK-S 36.20 PLUS DW



Item	Component (price per piece)	Model	Pcs.	Order no.
	Repair kit for locking mechanism and bearing (9,11,12,13,15,18,21,23)			662 101 516
	Repair kit for locking mechanism (9,11,12,18,21)			662 101 517
	Repair kit for bearing (13,15,23)			662 101 518
	Repair kit for wear plate (38,39)			662 101 469
	Repair kit for wear ring (12,18)			662 101 534
1	Fifth wheel plate (PLUS W)			662 131 471
2	Operating handle complete		1	662 129 166
2a	Adjustment plate		1	662 129 158
2b	Cap bolt		2	659 112 371
4	Mounting bracket 148 mm	Mercedes-Benz	2	662 131 120
4	Mounting bracket 148 mm	MAN	2	662 131 121
4	Mounting bracket 148 mm	IVECO	2	662 131 122
4	Mounting bracket 148 mm	DAF	2	662 131 123
6	Mounting bracket 190 mm	Mercedes-Benz	2	662 131 125
6	Mounting bracket 190 mm	MAN	2	662 131 126

Item	Component (price per piece)	Model	Pcs.	Order no.
6	Mounting bracket 190 mm	IVECO	2	662 131 127
6	Mounting bracket 190 mm	DAF	2	662 131 128
7	Mounting bracket 225 mm	Mercedes-Benz	2	662 131 130
7	Mounting bracket 225 mm	MAN	2	662 131 131
7	Mounting bracket 225 mm	IVECO	2	662 131 132
7	Mounting bracket 225 mm	DAF	2	662 131 133
9	Coupler jaw		1	662 131 107
10	Locking hook		1	662 129 156
10a	Stopper		1	662 129 381
10b	Locking plate		1	662 129 387
10c	Bush		1	662 129 374
10d	Hex. bolt		1	662 129 600
11	Pin		1	662 129 375
12	Wear ring		1	662 131 114
13	Rubber damper		2	662 114 110
14	Tensioning bar		2	662 129 388
15	Bearing insert		2	662 130 101
16	Tension spring		1	662 126 411
16a	Tension spring		1	662 129 317
17	Carabiner hook with chain		1	662 100 574
18	Cap bolt		2	659 112 372
19a	Hex. bolt		7	659 112 359
20	Washer		1	662 126 175
21	Circlip		1	659 100 027
21a	Supporting washer		1	659 100 026
23	Cap bolt		4	659 112 365
24	Manufacturer's plate		1	659 120 380
26	Rivet		2	662 126 173
28	Hammer rivet		1	662 126 151
29	Lubrication tube		1	659 144 146
32	Grease nipple		1	662 126 224
34	Automatic latch		1	662 129 153
35	Safety flange		1	662 129 147
36	Guide plate		1	662 129 144
38	Wear plate		2	662 131 103
39	Flanged screw		12	662 130 114
40	Tie rod complete		1	662 131 142
41	Strut Ø 51 mm		1	662 131 143
41	Strut Ø 60.3 mm, for DAF model, height 225 mm		1	662 131 139

The spare parts for the SK-S 36.20 PLUS DW are fully compatible with the SK-S 36.20 DW.
Repair kits also apply to SK-S 36.20 PLUS W.

Notes

SK-S 36.20 PLUS V (mounting angles)

The lightweight, cast 20t fifth wheel with mounting angles for VOLVO vehicles

- Weight optimized fifth wheel
- No additional mounting plate required
- 10-15 kg higher payload
- Reliable and robust
- Single-handed operation
- Automatic safety lock
- Simple and safe wear adjustment
- Permanent, maintenance-free bearings
- Optimised lubrication channels for effective grease flow



Technical data

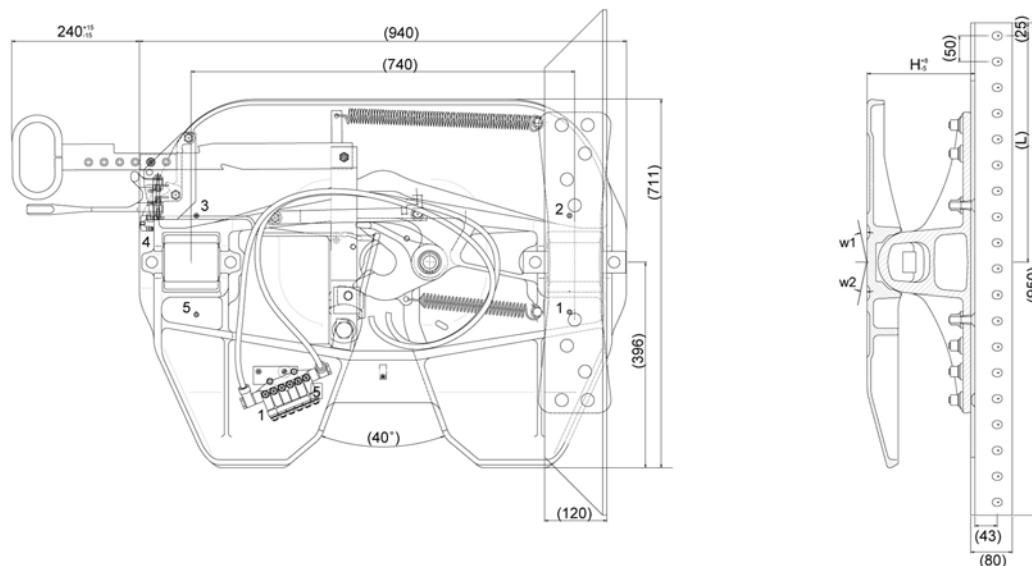
- Angle of inclination in accordance with ISO 1726
- Approved for forced steering
- EU test no.: e1-00-0218 (* Exception: overall height 140 mm only with single removal)

Type	Overall height	Imposed load	D-value	Weight	Angle of inclination	Length L	Order no.
	mm	t	kN	kg	degree (w1/w2)	mm	
SK-S 36.20 PLUS V	140*	20	152,3	144	6.5° / 7.2°	437,5	662 129 206
SK-S 36.20 PLUS V	140*	20	152,3	144	6.5° / 7.2°	462,5	662 129 210
SK-S 36.20 PLUS V	160	20	152,3	146	13° / 15°	437,5	662 129 207
SK-S 36.20 PLUS V	160	20	152,3	146	13° / 15°	462,5	662 129 211
SK-S 36.20 PLUS V	200	20	152,3	150	20° / 23°	437,5	662 129 208
SK-S 36.20 PLUS V	200	20	152,3	150	20° / 23°	462,5	662 129 212
SK-S 36.20 PLUS V	230	20	152,3	153	24° / 30°	437,5	662 129 209
SK-S 36.20 PLUS V	230	20	152,3	153	24° / 30°	462,5	662 129 214

Model with central lubrication kit

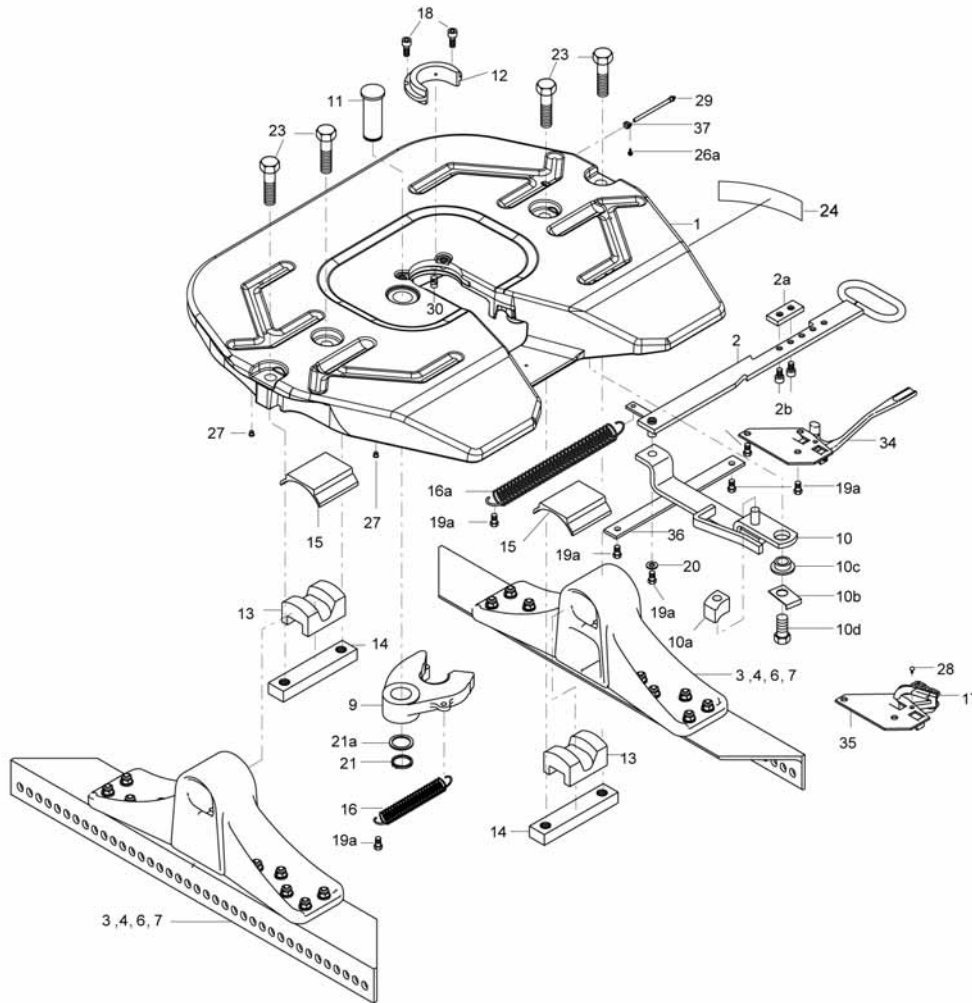
Type	Overall height	Imposed load	D-value	Weight	Angle of inclination	Length L	Order no.
	mm	t	kN	kg	degree (w1/w2)	mm	
SK-S 36.20 PLUS V	140*	20	152,3	145	6.5° / 7.2°	462,5	662 129 215
SK-S 36.20 PLUS V	140*	20	152,3	145	6.5° / 7.2°	437,5	662 129 219
SK-S 36.20 PLUS V	160	20	152,3	147	13° / 15°	462,5	662 129 216
SK-S 36.20 PLUS V	160	20	152,3	147	13° / 15°	437,5	662 129 220
SK-S 36.20 PLUS V	200	20	152,3	151	20° / 23°	462,5	662 129 217
SK-S 36.20 PLUS V	200	20	152,3	151	20° / 23°	437,5	662 129 221
SK-S 36.20 PLUS V	230	20	152,3	154	24° / 30°	462,5	662 129 218
SK-S 36.20 PLUS V	230	20	152,3	154	24° / 30°	437,5	662 129 222

Dimensions



Spare parts SK-S 36.20 PLUS V

A reversal of the mounting angles increases or decreases the coupling point by 25 mm.



Item	Component (price per piece)	Serial no.	Pcs.	Order no.
	Repair kit for locking mechanism and bearings (9,11,12,13,15,18,21,23)			662 101 493
	Repair kit for locking mechanism (9,11,12,18,21)			662 101 492
	Repair kit for bearings (13,15,23)			662 101 473
1	Fifth wheel plate (PLUS)		1	662 129 471
2	Operating handle, complete		1	662 129 166
2a	Adjustment plate		1	662 129 158
2b	Cap bolt		2	659 112 371
3	Mounting angle 140 mm, on right (L= 437.5), complete		1	662 129 362
3a	Mounting angle 140 mm, on right (L= 462.5), complete		1	662 129 363
4	Mounting angle 160 mm, on right (L= 437.5), complete		1	662 129 364
4a	Mounting angle 160 mm, on right (L= 462.5), complete		1	662 129 365
6	Mounting angle 200 mm, on right (L= 437.5), complete		1	662 129 366
6a	Mounting angle 200 mm, on right (L= 462.5), complete		1	662 129 367
7	Mounting angle 230 mm, on right (L= 437.5), complete		1	662 129 368
7a	Mounting angle 230 mm, on right (L= 462.5), complete		1	662 129 369
9	Coupler jaw		1	662 129 134

Item	Component (price per piece)	Serial no.	Pcs.	Order no.
10	Locking hook		1	662 129 156
10a	Stopper		1	662 129 381
10b	Locking plate		1	662 129 387
10c	Bush		1	662 129 374
10d	Hex. bolt		1	662 129 600
11	Pin		1	662 129 375
12	Wear ring		1	662 129 377
13	Rubber damper		2	662 114 110
14	Tensioning bar		2	662 129 388
15	Bearing insert		2	662 130 101
16	Tension spring		1	662 126 411
16a	Tension spring		1	662 129 317
17	Carabiner hook with chain			662 100 574
18	Cap bolt		2	659 112 372
19a	Hex. bolt		7	659 112 359
20	Washer		1	662 126 175
21	Circlip		1	659 100 027
21a	Supporting washer		1	659 100 026
23	Hex. bolt		4	662 129 606
24	Manufacturer's plate		1	659 120 380
26	Rivet		2	662 126 173
26a	Rivet		1	662 126 179
27	Plastic plug		4	662 126 223
28	Hammer rivet			662 126 151
29	Lubrication tube		1	659 144 106
30	Grease plug		1	662 129 380
34	Automatic latch		1	662 129 153
35	Safety flange for carabiner hook	0 - 11999		662 129 376
35	Safety flange for carabiner hook	12000 - ...		662 129 147
36	Guide plate		1	662 129 144
37	Lock nut		1	659 100 029
	Central lubrication * (not shown)		1	659 144 143

* Central lubrication set can be ordered for models 662 129 206 to 662 129 214.
Repair kits also apply to SK-S 36.20 PLUS.

Notes

SK-S 36.20 PLUS VW (low maintenance)

The low maintenance 20t fifth wheel with mounting angles for VOLVO vehicles

- Weight optimized fifth wheel
- No additional mounting plate required
- 10-15 kg higher payload
- Designed for highway application
- Less grease consumption*
- Plastic wear plates easy to change
- Central lubrication system connection not required
- Single-handed operation
- Automatic safety lock option
- Simple and safe wear adjustment
- Permanent, maintenance-free bearings



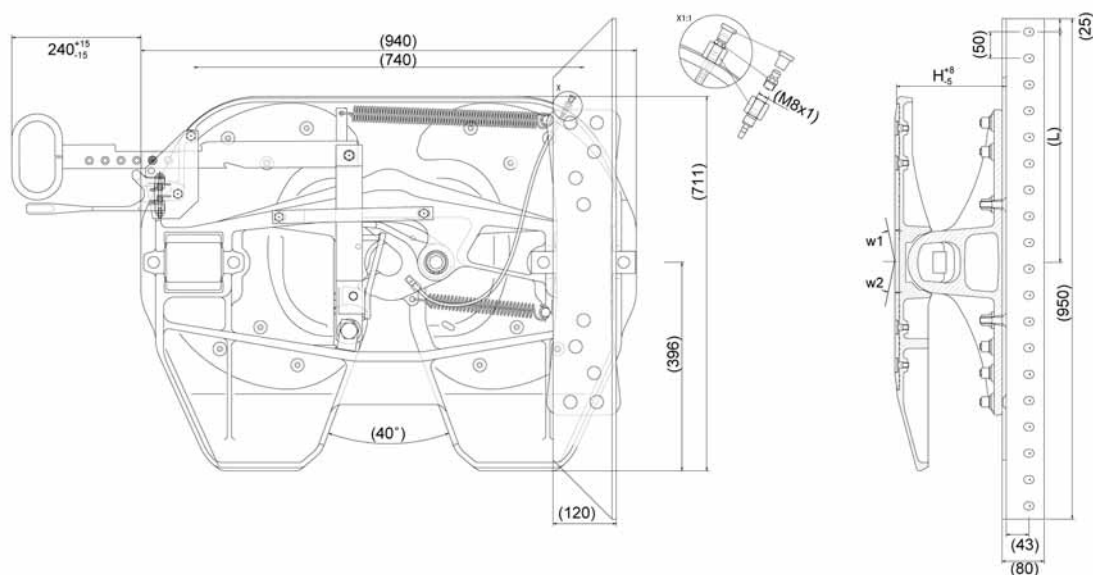
* For automatic lubrication of the locking mechanism, we recommend the use of our grease dispenser with adaptor.

Technical data

- Angle of inclination in accordance with ISO 1726
- Approved for forced steering
- EU test no.: e1-00-0218 (* Exception: overall height 140 mm only with single removal)

Type	Overall height	Imposed load	D-value	Weight	Angle of inclination	Length L	Order no.
	mm	t	kN	kg	degree (w1/w2)	mm	
SK-S 36.20 PLUS VW	140*	20	152,3	144	6.5° / 7.2°	462,5	662 131 050
SK-S 36.20 PLUS VW	140*	20	152,3	144	6.5° / 7.2°	437,5	662 131 060
SK-S 36.20 PLUS VW	160	20	152,3	146	13° / 15°	462,5	662 131 051
SK-S 36.20 PLUS VW	160	20	152,3	146	13° / 15°	437,5	662 131 061
SK-S 36.20 PLUS VW	200	20	152,3	150	20° / 23°	462,5	662 131 052
SK-S 36.20 PLUS VW	200	20	152,3	150	20° / 23°	437,5	662 131 062
SK-S 36.20 PLUS VW	230	20	152,3	153	24° / 30°	462,5	662 131 053
SK-S 36.20 PLUS VW	230	20	152,3	153	24° / 30°	437,5	662 131 063

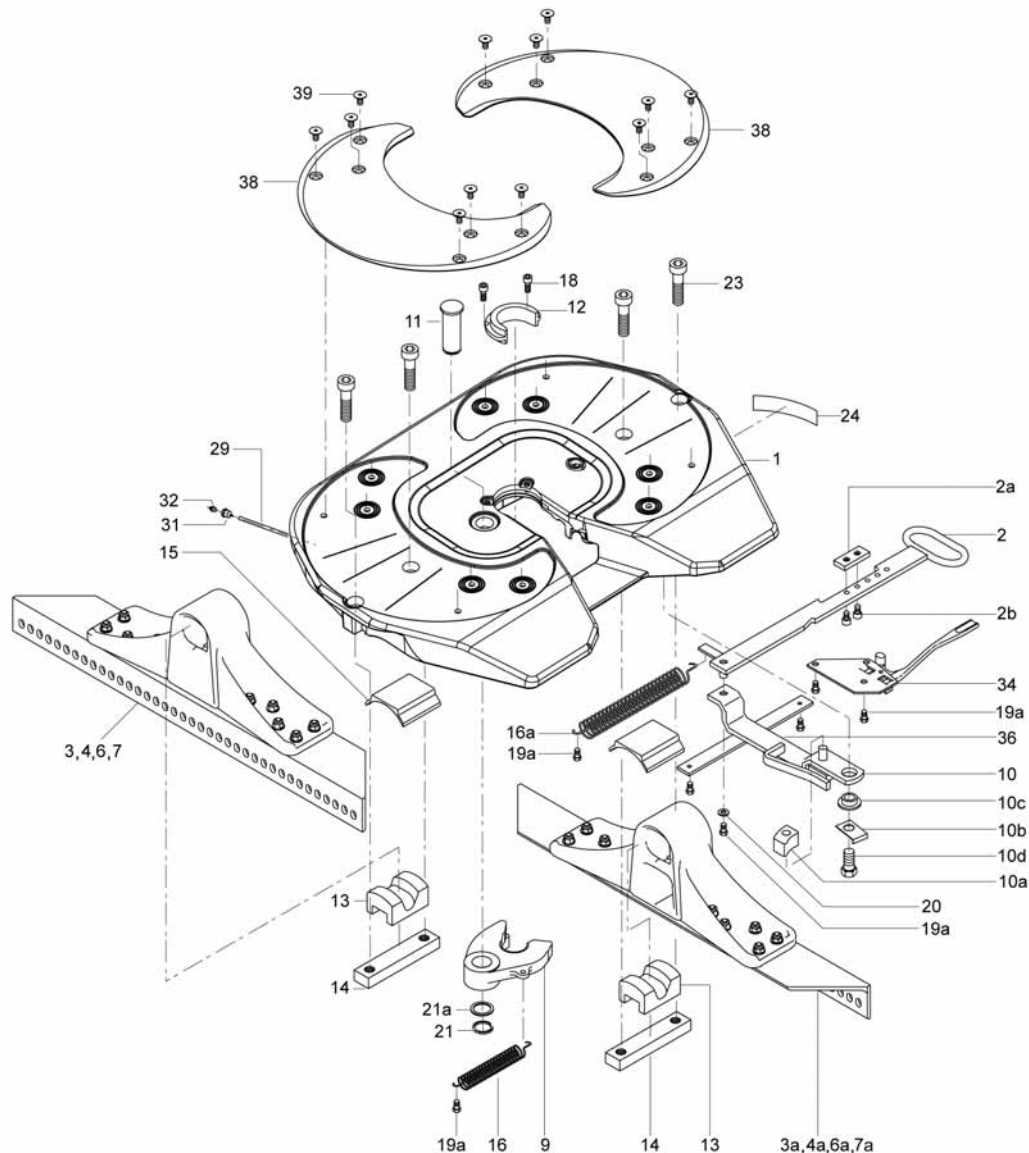
Dimensions



Mounting hole pattern according to DIN 74081
Subject to modifications in dimensions and design

Spare parts SK-S 36.20 PLUS VW

A reversal of the mounting angles increases or decreases the coupling point by 25 mm.



Item	Component (price per piece)	Serial no.	Pcs.	Order no.
	Repair kit for locking mechanism (9,11,12,18,21)			662 101 517
	Repair kit for bearings (13,15,23)			662 101 518
	Repair kit for slide plate (38,39)			662 101 469
1	Fifth wheel plate (PLUS W)			662 131 471
2	Operating handle, complete		1	662 129 166
2a	Adjustment plate		1	662 129 158
2b	Cap bolt		2	659 112 371
3	Mounting angle 140 mm, on right (L= 437.5), complete		1	662 129 362
3a	Mounting angle 140 mm, on right (L= 462.5), complete		1	662 129 363
4	Mounting angle 160 mm, on right (L= 437.5), complete		1	662 129 364
4a	Mounting angle 160 mm, on right (L= 462.5), complete		1	662 129 365
6	Mounting angle 200 mm, on right (L= 437.5), complete		1	662 129 366
6a	Mounting angle 200 mm, on right (L= 462.5), complete		1	662 129 367
7	Mounting angle 230 mm, on right (L= 437.5), complete		1	662 129 368
7a	Mounting angle 230 mm, on right (L= 462.5), complete		1	662 129 369
9	Coupler jaw		1	662 131 107

Item	Component (price per piece)	Serial no.	Pcs.	Order no.
10	Locking hook		1	662 129 156
10a	Stopper		1	662 129 381
10b	Locking plate		1	662 129 387
10c	Bush		1	662 129 374
10d	Hex. bolt		1	662 129 600
11	Pin		1	662 129 375
12	Wear ring		1	662 131 114
13	Rubber damper		2	662 114 110
14	Tensioning bar		2	662 129 388
15	Bearing insert		2	662 130 101
16	Tension spring		1	662 126 411
16a	Tension spring		1	662 129 317
18	Cap bolt		2	659 112 372
19a	Hex. bolt		7	659 112 359
20	Washer		1	662 126 175
21	Circlip		1	659 100 027
21a	Supporting washer		1	659 100 026
23	Cap bolt		4	659 112 365
24	Manufacturer's plate		1	659 120 380
26	Rivet		2	662 126 173
29	Lubrication tube	35178 - ...	1	659 144 146
29	Lubrication line	0 - 35177	1	659 144 106
32	Grease nipple		1	662 126 224
34	Automatic latch		1	662 129 153
36	Guide plate		1	662 129 144
38	Wear plate		2	662 131 103
39	Flanged screw		12	662 130 114
	Lubrication tube assembly (29,31) (not shown)			659 144 146

The spare parts for the SK-S 36.20 PLUS VW are fully compatible with the SK-S 36.20 VW.
Repair kits also apply to SK-S 36.20 PLUS W.

SK-S 36.20 H G2 (dual height)

Dual height fifth wheel, Generation 2

The Georg Fischer dual height fifth wheel is designed for 2-axle semi-trailer tractors for large-volume transport. The dual height feature allows the use of the same semi-trailer tractor with various trailers.



- Extremely robust and user-friendly
- Weight optimized model
- Permanent, maintenance-free bearings
- Connections for central lubrication
- Simple and safe wear adjustment
- Automatic safety lock option
- Approved for forced steering
- EU test no.: e 11-00-1381

Ordering instructions

- The standard versions listed are not pre-drilled
- Mounting hole patterns available for DAF, Mercedes-Benz, IVECO, MAN, Renault, SCANIA, VOLVO
- Indicate type and coupling point of semi-trailer tractor when ordering
- The coupling point is measured from the centre of the rear axle to the centre of the kingpin in lowered position
- The manufacturer's mounting kits are to be used.

SK-S 36.20 H G2

Type	Spec.	Overall height	Imposed load	D-value	Weight	Dimensions	Order no.
		mm	t	kN	kg	mm	
SK-S 36.20 H G2	Standard	167 - 267	15	110	333	1205 x 980	662 132 311
SK-S 36.20 H G2	Standard	167 - 317	15	110	338	1205 x 980	662 132 312
SK-S 36.20 H G2	Standard	167 - 367	15	110	340	1205 x 980	662 132 313

SK-S 36.20 HS G2 (RECOSS)

Type	Spec.	Overall height	Imposed load	D-value	Weight	Dimensions	Order no.
		mm	t	kN	kg	mm	
SK-S 36.20 HS G2	Standard	167 - 267	15	110	333	1205 x 980	662 132 331
SK-S 36.20 HS G2	Standard	167 - 317	15	110	338	1205 x 980	662 132 332
SK-S 36.20 HS G2	Standard	167 - 367	15	110	340	1205 x 980	662 132 333

SK-S 36.20 HW G2 (low maintenance fifth wheel plate)

Type	Spec.	Overall height	Imposed load	D-value	Weight	Dimensions	Order no.
		mm	t	kN	kg	mm	
SK-S 36.20 HW G2	Standard	167 - 267	15	110	333	1205 x 980	662 132 351
SK-S 36.20 HW G2	Standard	167 - 317	15	110	338	1205 x 980	662 132 352
SK-S 36.20 HW G2	Standard	167 - 367	15	110	340	1205 x 980	662 132 353

SK-S 36.20 HWS G2 (low maintenance fifth wheel plate, RECOSS)

Type	Spec.	Overall height	Imposed load	D-value	Weight	Dimensions	Order no.
		mm	t	kN	kg	mm	
SK-S 36.20 HWS G2	Standard	167 - 267	15	110	333	1205 x 980	662 132 371
SK-S 36.20 HWS G2	Standard	167 - 317	15	110	338	1205 x 980	662 132 372
SK-S 36.20 HWS G2	Standard	167 - 367	15	110	340	1205 x 980	662 132 373

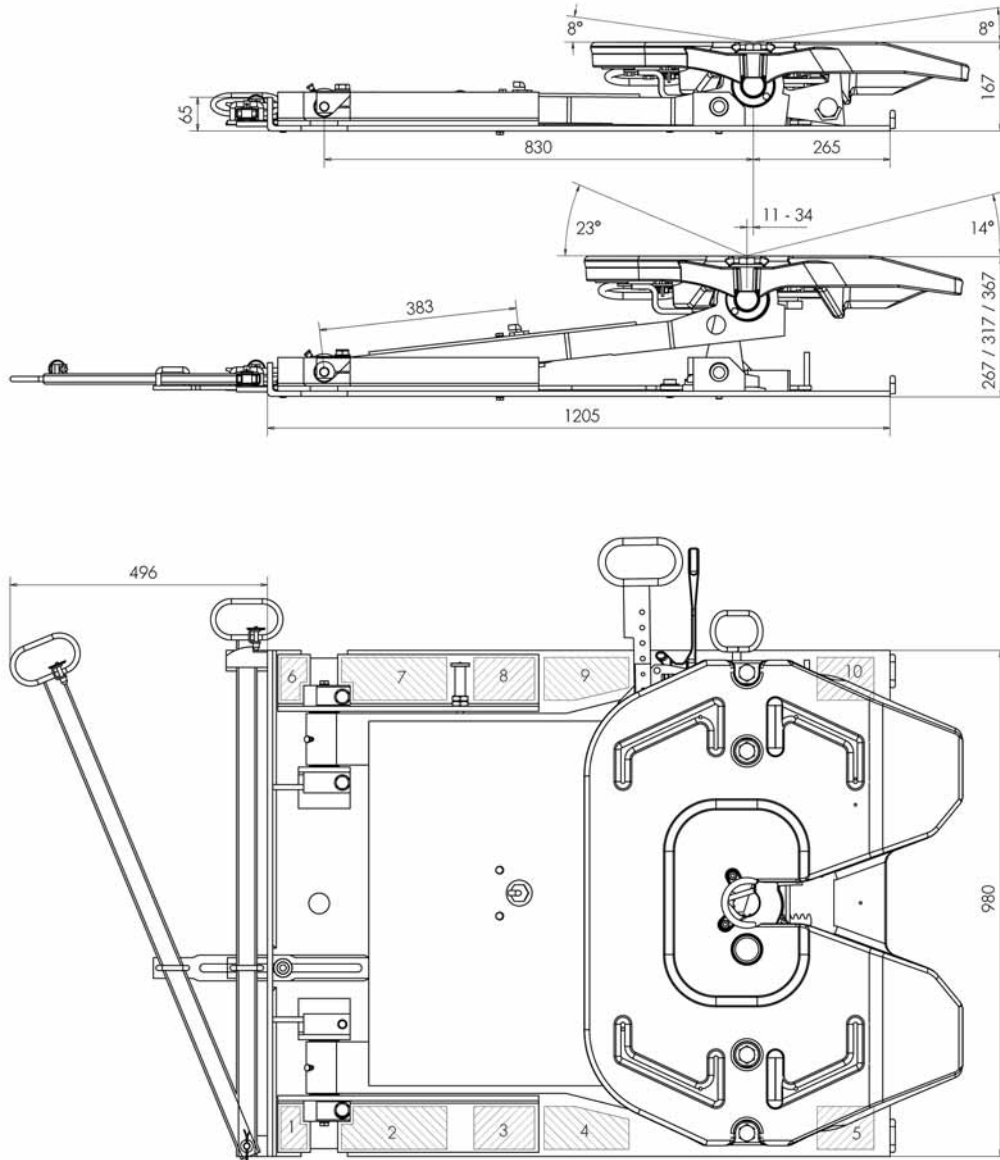
Lift sub-assembly, complete

Type	Spec.	Overall height	Weight	Dimensions	Order no.
		mm	kg	mm	
Lift sub-assembly, complete	Standard	167 - 267	252	1205 x 980	662 132 051
Lift sub-assembly, complete	Standard	167 - 317	257	1205 x 980	662 132 052
Lift sub-assembly, complete	Standard	167 - 367	259	1205 x 980	662 132 053

Technical data

- Movement around lateral axis at basic height $\pm 8^\circ$
- Operation: adjustable (to max. 8 bar) in unhitched state by means of the tractor's compressed air system with pneumatic support (air bellows)
- Coupling point change when adjusting height: 11 mm [267] / 24 mm [317] / 34 mm [367]

Dimensions



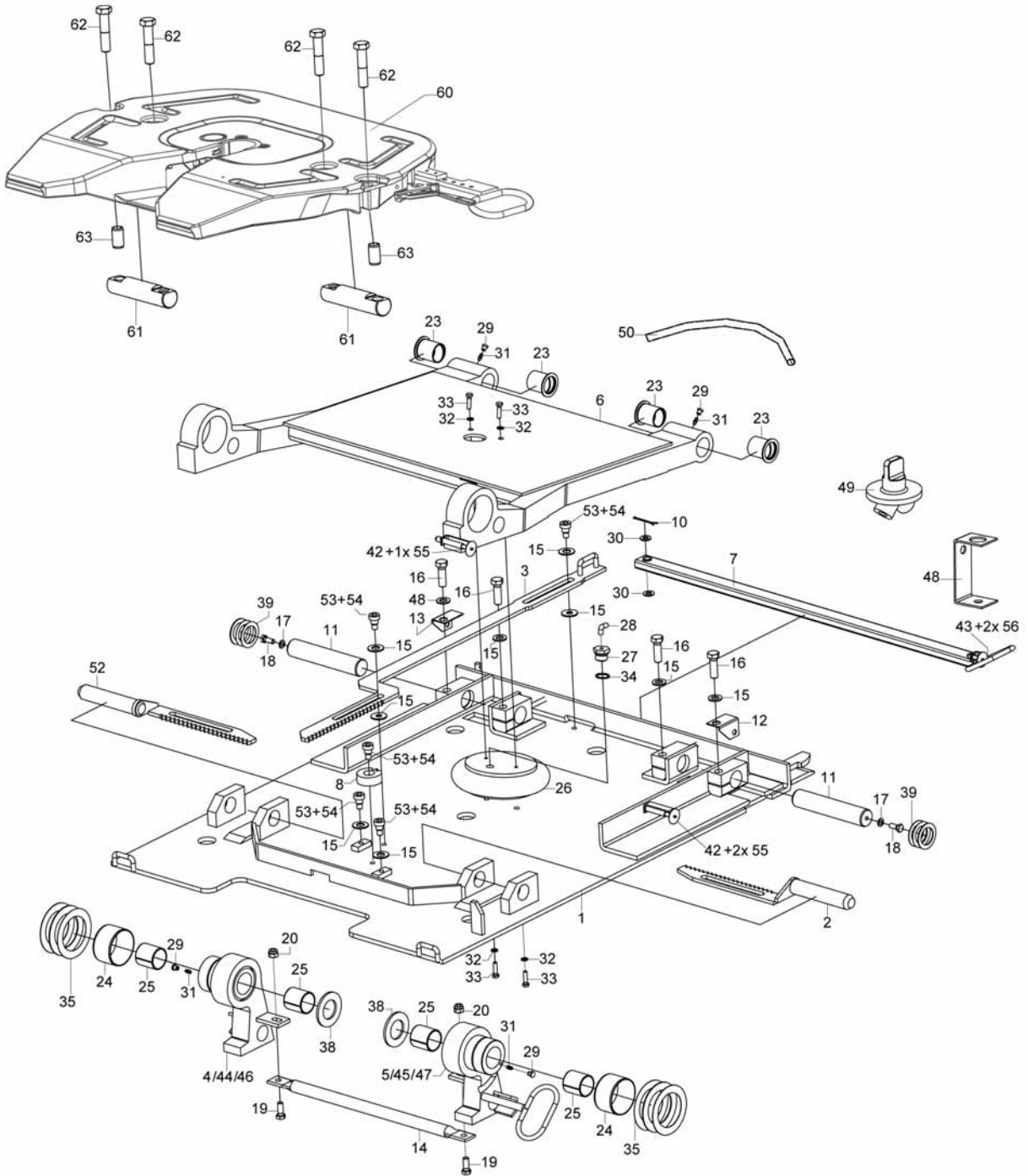
- The fixing holes (max. \varnothing 21 mm) may be drilled in these 10 areas.
- Increase number of bolts accordingly when using reduced diameter
- Mounting hole pattern in accordance with DIN 74081
- Subject to modifications in dimensions and design

Mounting kits for SK-S 36.20 H G2

Type	Mounting	Model	Order no.
Mounting kit 726	IVECO (Stralis), MAN (TGA), DAF (XF95)	14 x M16	662 101 726
Mounting kit 728	VOLVO (FH12)	20 x M14	662 101 728
Mounting kit 729	SCANIA (CA, LA, DA)	14 x M18	662 101 729
Mounting kit 730	Mercedes-Benz (Actros)	14 x M20	662 101 730
Mounting kit 731	RENAULT (Magnum, Premium)	14 x M16	662 101 731

Spare parts SK-S 36.20 H G2

When placing your order, please always indicate the article no. as well as the serial no. of your dual height fifth wheel. Spare parts for fifth wheel plate see spare parts list of the respective fifth wheel type.



Item	Component (price per piece)	Pcs.	Order no.
	Repair kits for rocker bearing (11,23,39)		662 132 195
	Repair kits for support bearing (19,20,24,25,35)		662 132 196
1	Base plate	1	662 132 105
2	Gear bolt	1	662 132 161
3	Actuating rod	1	662 132 162
4	Left support 100 mm	1	662 132 122
5	Right support 100 mm	1	662 132 123
6	Rocker arm	1	662 132 165
7	Locking lever	1	662 132 170
8	Toothed wheel	1	662 132 119
10	Splint pin	1	662 132 205
11	Stud	2	662 132 110
12	Right locking plate	1	662 132 111
13	Left locking plate	1	662 132 155
14	Guide pipe	1	662 132 120
15	Washer	8	662 132 206
16	Hex. bolt	4	662 101 359
17	Spring washer	2	662 132 202
18	Hex. bolt	2	662 132 203
19	Hex. bolt	2	662 132 211
20	Locking nut	2	662 132 215
23	Bush	4	662 132 132
24	Bush	2	662 132 130
25	Bush	4	662 132 146
26	Air bellows	1	662 132 200
27	Air inlet adaptor	1	662 132 135
28	90° elbow connector	1	662 126 493
29	Cap	4	659 144 142
30	Washer	6	662 126 204
31	Grease nipple	4	662 132 214
32	Spring washer	4	662 132 208
33	Hex. bolt	4	662 132 207
34	Sealing ring	1	662 132 201
35	Spacer	3	662 132 198
38	Spacer set **	3	662 132 197
39	Spacing washer	3	662 132 199
42	Spring lock	2	662 132 172
43	Spring lock	1	662 132 171
44	Left support 150 mm	1	662 132 125
45	Right support 150 mm	1	662 132 126
46	Left support 200 mm	1	662 132 128
47	Right support 200 mm	1	662 132 129
48	Mounting plate	1	662 132 139
49	Operating valve (3/2-way valve)	1	662 132 156
50	Pneumatic hose	1	662 132 169
51	Central lubrication system BEKA-MAX	1	662 132 041
52	Toothed rack (LHS)	1	662 132 173
53	Flanged bush	5	662 132 174
54	Cap head bolt	5	662 132 381
55	Nut	3	659 115 313
56	Nut	2	659 115 312
60	Fifth wheel top plate assembly (available on request)	1	
61	Shaft	2	662 132 292
62	Hex. bolts	4	659 112 627
63	Spring pin	2	662 132 293

*) Set contains spacers D 116x80x0.5, D 116x80x1, D 116x80x2

**) Set contains spacers D 80x45x0.5, D 80x45x1, D 80x40.5x2

***) Set contains spacing washers D 65x40.5x0.5, D 65x40.5x1, D 65x40.5x2

Notes

SK-HD 38.36

Fifth wheels for extra heavy transportation

- Permanent, maintenance-free bearings
- Conversion from 3½" to 2" and vice versa possible
- Simple adjustment of lock mechanism
- Suitable for steering wedge
- Special pneumatically operated version for harbour application

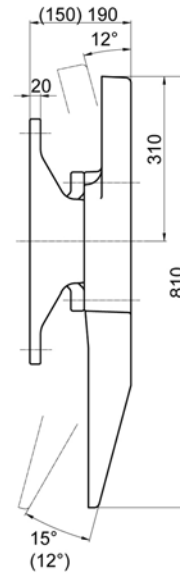
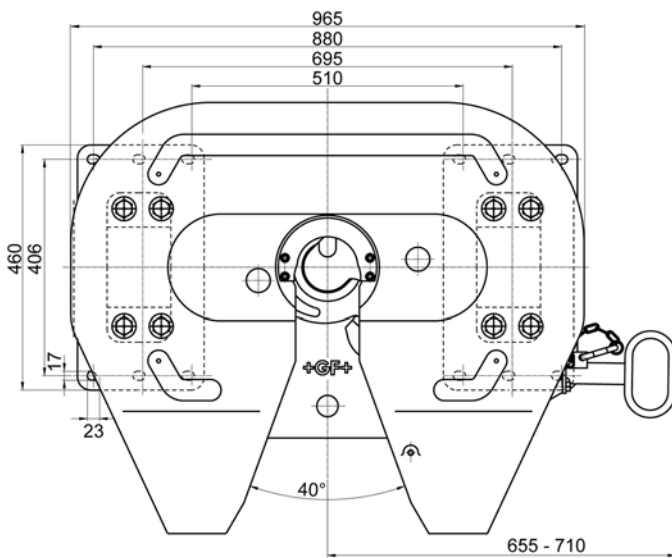


Technical data

Type	Lock size	Overall height	Imposed load	D-value	Weight	Angle of inclination	Order no.
	inch						
SK-HD 38.36	3½"	150	36	260	185	12° / 12°	662 111 065
SK-HD 38.36	3½"	190	36	260	185	15° / 12°	662 111 066
SK-HD 38.36.2	2"	150	23	162	185	12° / 12°	662 111 085
SK-HD 38.36.2	2"	190	23	162	185	15° / 12°	662 111 074

- Approved for forced steering
- EU test no.: e 1-00-0386 (3½")
- EU test no.: e 1-00-0387 (2")

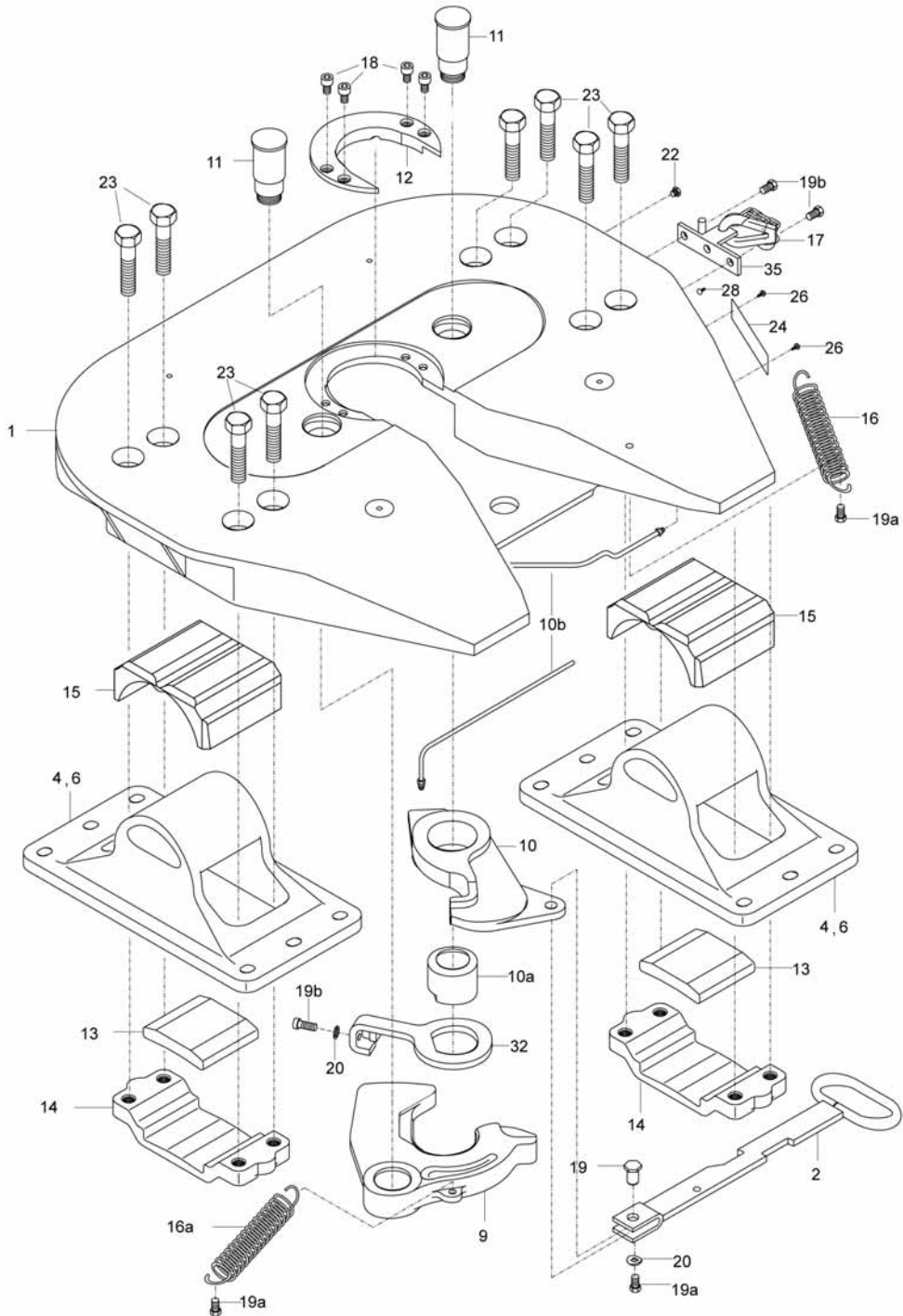
Dimensions



Mounting hole pattern according to DIN 74081
Subject to modifications in dimensions and design

Spare parts SK-HD 38.36 from serial no. 40001301

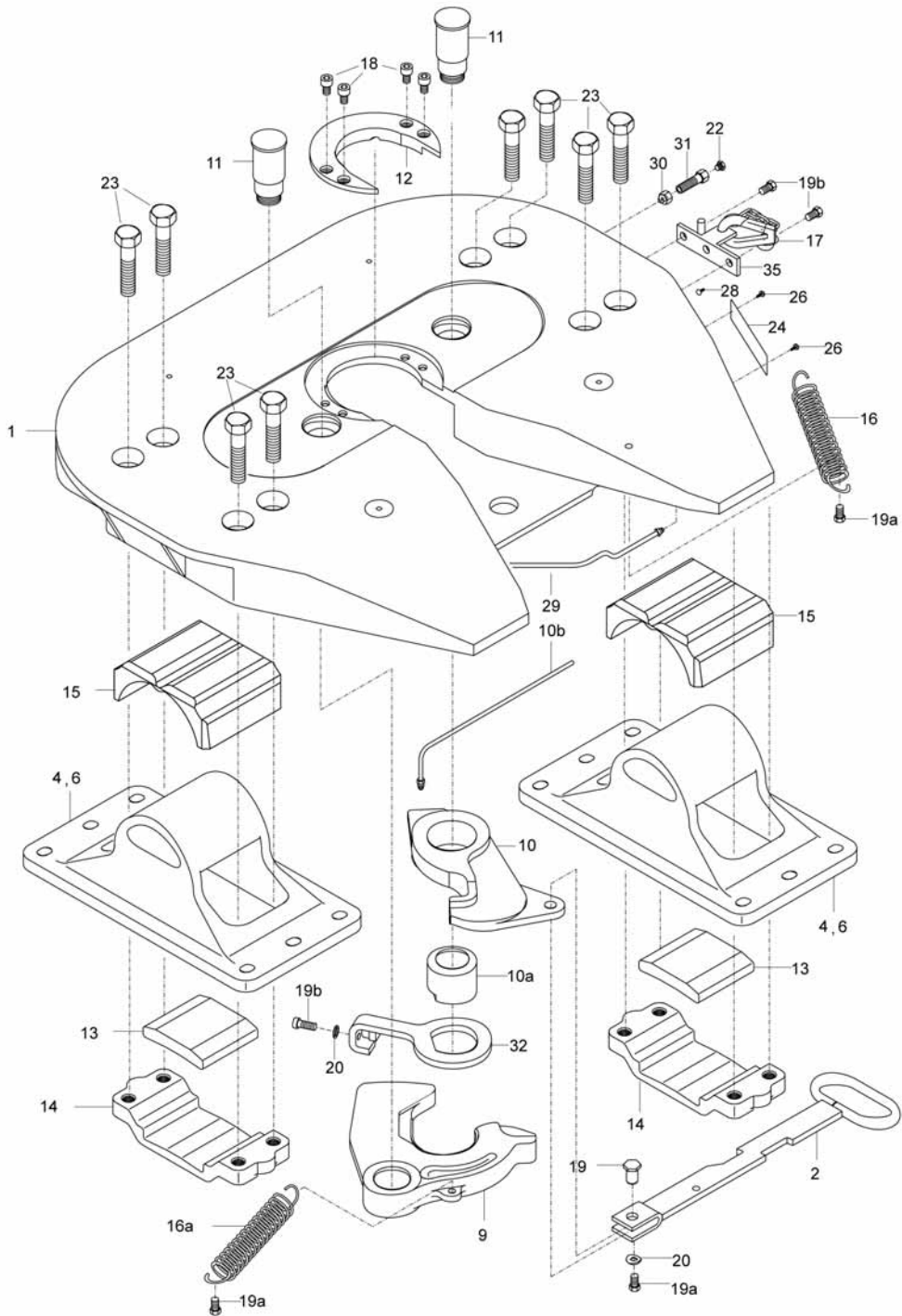
Please note: Also applies to the serial no. 40001055-1144 and 40001195-1216



Item	Component (price per piece)	Pcs.	Order no.
	2" Repair kit for locking mechanism and bearings (9,11,12,13,15,18,23)		662 101 706
	2" Repair kit for locking mechanism (9,11,12,18)		662 101 708
	2" Repair kit for bearings (13,15,23)		662 101 457
	2" Repair kit for wear ring (12,18)		662 101 710
	3½" Repair kit for locking mechanism and bearings (9,11,12,13,15,18,23)		662 101 707
	3½" Repair kit for locking mechanism (9,11,12,18)		662 101 709
	3½" Repair kit for bearings (13,15,23)		662 101 457
	3½" Repair kit for wear ring (12,18)		662 101 711
	Conversion kit from 3½" to 2" (9,12,18,24,26)		662 101 704
	Conversion kit from 2" to 3½" (9,12,18,24,26)		662 101 705
1	Fifth wheel plate	1	662 111 254
2	Operating handle	1	662 111 276
4	Mounting bracket 150 mm	2	662 111 293
6	Mounting bracket 190 mm	2	662 111 256
9	Coupler jaw, 2"	1	662 111 249
9	Coupler jaw, 3½"	1	662 111 247
10	Locking hook	1	662 111 239
10a	Cam	1	662 111 317
10b	Lubrication tube assembly	2	659 144 106
11	Pin	2	662 111 344
12	Wear ring 2"	1	662 111 342
12	Wear ring 3½"	1	662 111 343
13	Rubber damper	2	662 111 259
14	Tensioning bar	2	662 111 258
15	Bearing	2	662 111 264
16	Tension spring	1	662 126 410
16a	Tension spring	1	662 111 130
17	Carabiner hook with chain	1	662 100 574
18	Cap bolt	4	659 112 624
19	Stud	1	662 126 449
19a	Hex. bolt	3	659 112 359
19b	Cap bolt	3	659 112 358
20	Washer	2	662 126 175
22	Grease nipple	2	662 126 224
23	Hex. bolt	8	659 112 510
24	Manufacturer's plate	1	659 120 380
26	Rivet	2	662 126 173
28	Hammer rivet	1	662 126 151
32	Fork assembly	1	662 111 314
35	Safety flange	1	662 111 281
	Tube clamp (not shown)	1	662 111 345
	Plug for lubrication tube (not shown)	1	662 111 346

Spare parts SK-HD 38.36 up to serial no. 40001300

Please note: Spare parts for serial numbers 40001055-1144, 40001195-1216 see new spare parts list from serial no. 40001301.



Item	Component (price per piece)	Serial no.	Pcs.	Order no.
	2" Repair kit for locking mechanism and bearings (9,11,12,13,15,18,23)			662 101 453
	2" Repair kit for locking mechanism (9,11,12,18)			662 101 455
	2" Repair kit for bearings (13,15,23)			662 101 457
	2" Repair kit for wear ring (12,18)			662 101 563
	3½" Repair kit for locking mechanism and bearings (9,11,12,13,15,18,23)			662 101 454
	3½" Repair kit for locking mechanism (9,11,12,18)			662 101 456
	3½" Repair kit for bearings (13,15,23)			662 101 457
	3½" Repair kit for wear ring (12,18)			662 101 564
	Conversion kit from 3½" to 2" (9,12,18,24,26)			662 101 431
	Conversion kit from 2" to 3½" (9,12,18,24,26)			662 101 432
1	Fifth wheel plate		1	662 111 254
2	Operating handle		1	662 111 276
4	Mounting bracket 150 mm		2	662 111 293
6	Mounting bracket 190 mm		2	662 111 256
9	Coupler jaw, 2"		1	662 111 249
9	Coupler jaw, 3½"		1	662 111 247
10	Locking hook		1	662 111 239
10a	Cam		1	662 111 317
10b	Lubrication tube		1	662 130 118
11	Pin		2	662 111 316
12	Wear ring 2"		1	662 111 319
12	Wear ring 3½"		1	662 111 250
13	Rubber damper		2	662 111 259
14	Tensioning bar		2	662 111 258
15	Bearing		2	662 111 264
16	Tension spring		1	662 126 410
16a	Tension spring		1	662 111 130
17	Carabiner hook with chain		1	662 100 574
18	Cap bolt		4	659 112 363
19	Stud		1	662 126 449
19a	Hex. bolt	651711 - ...	3	662 126 172
19a	Hex. bolt	0 - 651710	5	662 126 172
19b	Cap bolt	651711 - ...	3	659 112 358
20	Washer		2	662 126 175
22	Grease nipple		2	662 126 224
23	Hex. bolt		8	659 112 510
24	Manufacturer's plate		1	659 120 380
26	Rivet		2	662 126 173
28	Hammer rivet		1	662 126 151
29	Lubrication tube		1	662 111 289
30	Lock nut		2	662 126 176
31	Eyebolt		2	662 126 465
32	Fork		1	662 111 314
35	Safety flange		1	662 111 281

Notes

SK-HD 38.36 G (off-road use)

The cast 36t heavy duty fifth wheel

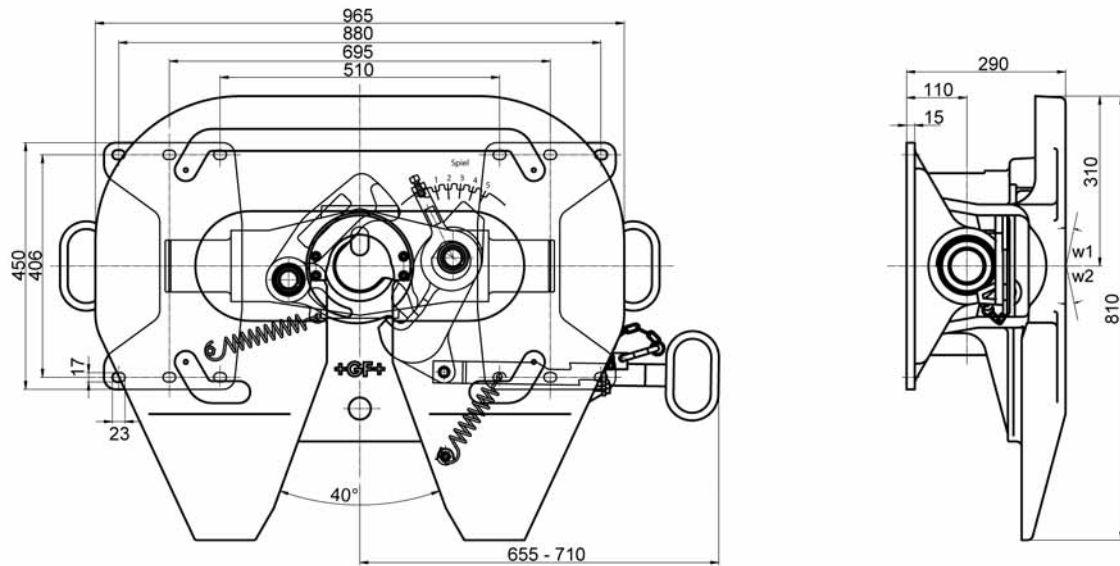
- Suitable for off-road use with oscillating bearings
- Max. tilt $\pm 7^\circ$ around the longitudinal axis
- Simple and safe handling
- 5-stage wear adjustment
- Quick conversion from 3½" to 2" and back
- Suitable for steering wedge applications



Technical data

Type	Lock size	Overall height	D-value	Imposed load	Weight	Angle of inclination	Order no.
	inch	mm	kN	t	kg	degree (w1/w2)	
SK-HD 38.36 G	3½	290	260	36	272	17° / 14°	662 111 088
SK-HD 38.36.2 G	2	290	162	23	272	17° / 14°	662 111 089

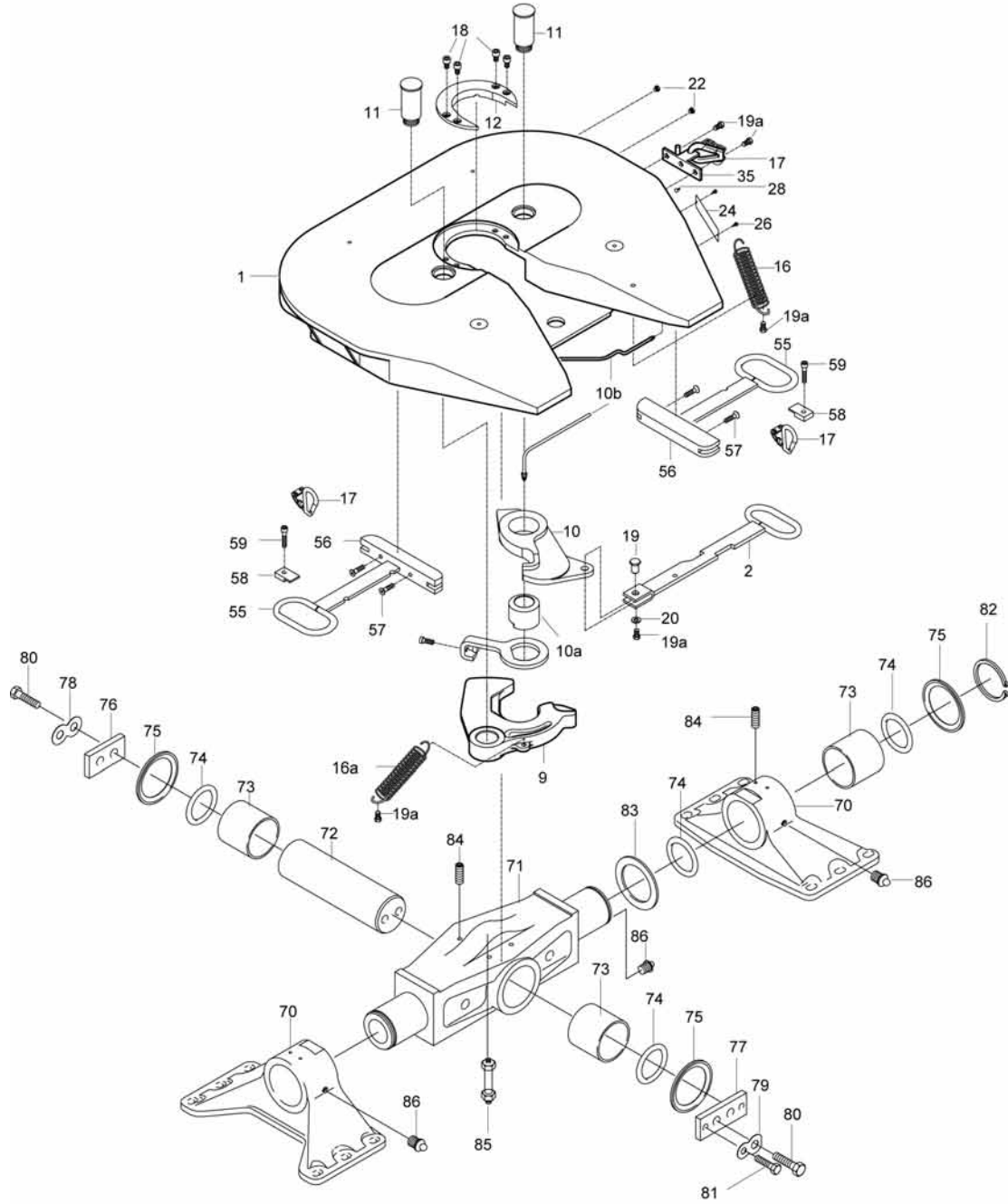
Dimensions



Mounting hole pattern according to DIN 74081
Subject to modifications in dimensions and design

Spare parts SK-HD 38.36 G from serial no. 40001301

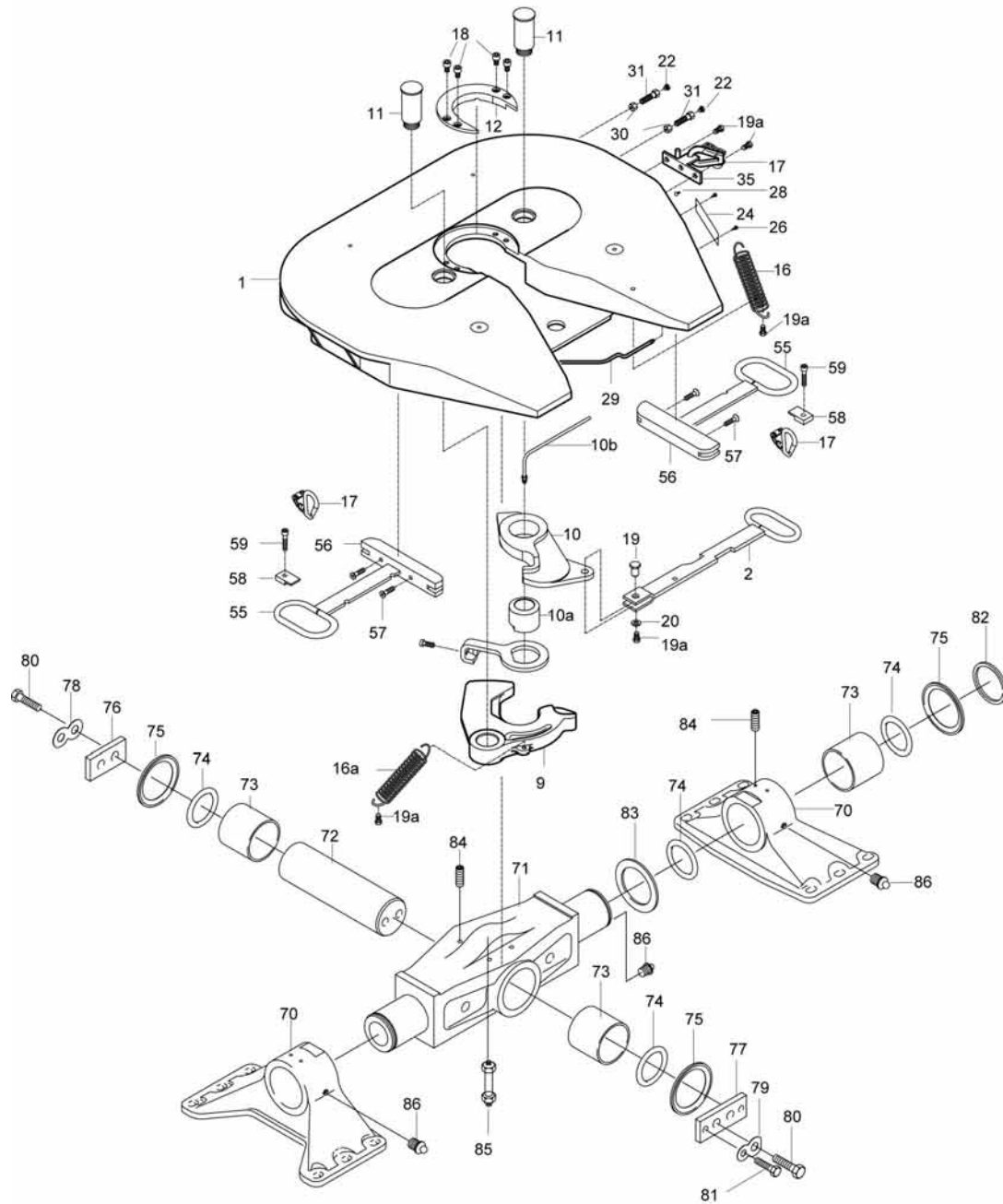
Important: Also applies to the serial no. 40001055-1144 and 40001195-1216



Item	Component (price per piece)	Pcs.	Order no.
	Repair kit for locking mechanism 3½" (9,11,12,18)		662 101 456
	Repair kit for bearing sub-assembly 3 ½" (73,74,78,79,80,81,84,85,86)		662 101 487
	Repair kit for locking mechanism 2" (9,11,12,18)		662 101 455
	Repair kit for bearing sub-assembly 2" (73,74,78,79,80,81,84,85,86)		662 101 487
	Locking mechanism kit (55, 56, 57, 58, 59)		662 111 313
	Conversion kit 3½" to 2"		662 101 704
	Conversion kit 2" to 3½"		662 101 705
1	Fifth wheel plate	1	662 111 261
2	Operating handle	1	662 111 276
9	Coupler jaw assembly 3½"	1	662 111 247
9	Coupler jaw assembly 2"	1	662 111 249
10	Locking hook assembly	1	662 111 239
10a	Cam	1	662 111 317
10b	Lubrication tube assembly	2	659 144 106
11	Pin	2	662 111 347
12	Wear ring 3½"	1	662 111 343
12	Wear ring 2"	1	662 111 342
16	Tension spring	1	662 126 410
16a	Tension spring	1	662 111 130
17	Carabiner hook with chain	3	662 100 574
18	Cap bolt	4	659 112 624
19	Stud	1	662 126 449
19a	Hex. bolt	2	659 112 359
20	Washer	1	662 126 175
22	Grease nipple	2	662 126 224
24	Manufacturer's plate	1	659 120 380
26	Rivet	2	662 126 173
28	Hammer rivet	1	662 126 151
35	Safety flange	1	662 111 281
55	Operating handle	2	662 111 297
56	Stopper	2	662 111 296
57	Countersunk screw	4	662 100 371
58	Locking plate	2	662 111 298
59	Cap bolt	2	662 126 155
70	Mounting bracket	2	662 111 299
71	Rocker arm	1	662 111 303
72	Trunnion pin	1	662 111 306
73	Bearing sleeve	4	662 111 300
74	O-ring	6	662 111 301
75	Spacing washer	4	659 122 075
76	Plate	1	662 111 304
77	Counterplate	1	662 111 307
78	Locking plate	1	662 111 305
79	Locking plate	2	662 111 308
80	Hex. bolt	4	662 111 203
81	Hex. bolt	2	659 112 320
82	Circlip	2	662 111 302
83	Spacing washer	2	659 122 074
84	Cylindrical notched pin	8	662 111 311
85	Grease nipple assembly	1	662 111 312
86	Grease nipple	6	662 126 224
	Complete base assembly (not shown)		662 111 096

Spare parts SK-HD 38.36 G up to serial no. 40001300

Important: Spare parts for serial numbers 40001055-1144, 40001195-1216 see new spare parts list from serial no. 40001301.



Item	Component (price per piece)	Pcs.	Order no.
	Repair kit for locking mechanism 3½" (9,11,12,18)		662 101 456
	Repair kit for bearing sub-assembly 3 ½" (73,74,78,79,80,81,84,85,86)		662 101 487
	Repair kit for locking mechanism 2" (9,11,12,18)		662 101 455
	Repair kit for bearing sub-assembly 2" (73,74,78,79,80,81,84,85,86)		662 101 487
	Locking mechanism kit (55, 56, 57, 58, 59)		662 111 313
	Conversion kit 2" to 3½"		662 101 432
	Conversion kit 3½" to 2"		662 101 431
1	Fifth wheel plate	1	662 111 261
2	Operating handle	1	662 111 276
9	Coupler jaw assembly 3½"	1	662 111 247
9	Coupler jaw assembly 2"	1	662 111 249
10	Locking hook assembly	1	662 111 239
10a	Cam	1	662 111 322
10b	Lubrication tube	1	662 130 118
11	Pin	2	662 111 316
12	Wear ring 3½"	1	662 111 250
12	Wear ring 2"	1	662 111 319
16	Tension spring	1	662 126 410
16a	Tension spring	1	662 111 130
17	Carabiner hook with chain	3	662 100 574
18	Cap bolt	4	659 112 363
19	Stud	1	662 126 449
19a	Hex. bolt	5	662 126 172
20	Washer	1	662 126 175
22	Grease nipple	2	662 126 224
24	Manufacturer's plate	1	659 120 380
26	Rivet	2	662 126 173
28	Hammer rivet	1	662 126 151
29	Lubrication tube	1	662 111 289
30	Lock nut	2	662 126 176
31	Eyebolt	2	662 126 465
35	Safety flange	1	662 111 281
55	Operating handle	2	662 111 297
56	Stopper	2	662 111 296
57	Countersunk screw	4	662 100 371
58	Locking plate	2	662 111 298
59	Cap bolt	2	662 126 155
	Complete base assembly (70-86)		662 111 096
70	Mounting bracket	2	662 111 299
71	Rocker arm	1	662 111 303
72	Trunnion pin	1	662 111 306
73	Bearing sleeve	4	662 111 300
74	O-ring	6	662 111 301
75	Spacing washer	4	659 122 075
76	Plate	1	662 111 304
77	Counterplate	1	662 111 307
78	Locking plate	1	662 111 305
79	Locking plate	2	662 111 308
80	Hex. bolt	4	662 111 203
81	Hex. bolt	2	659 112 320
82	Circlip	2	662 111 302
83	Spacing washer	2	659 122 074
84	Cylindrical notched pin	8	662 111 311
85	Grease nipple assembly	1	662 111 312
86	Grease nipple	6	662 126 224

SK-L 26.3

The new "lightweight" for distribution vehicles

Specially developed for distribution vehicles, Georg Fischer offers a particularly lightweight and maintenance-friendly fifth wheel with an imposed load of up to 3 tonnes for reliable and flexible application.

- Maintenance-friendly
- Higher payload - lower dead weight
- Optimum component design through spheroidal graphite cast iron construction

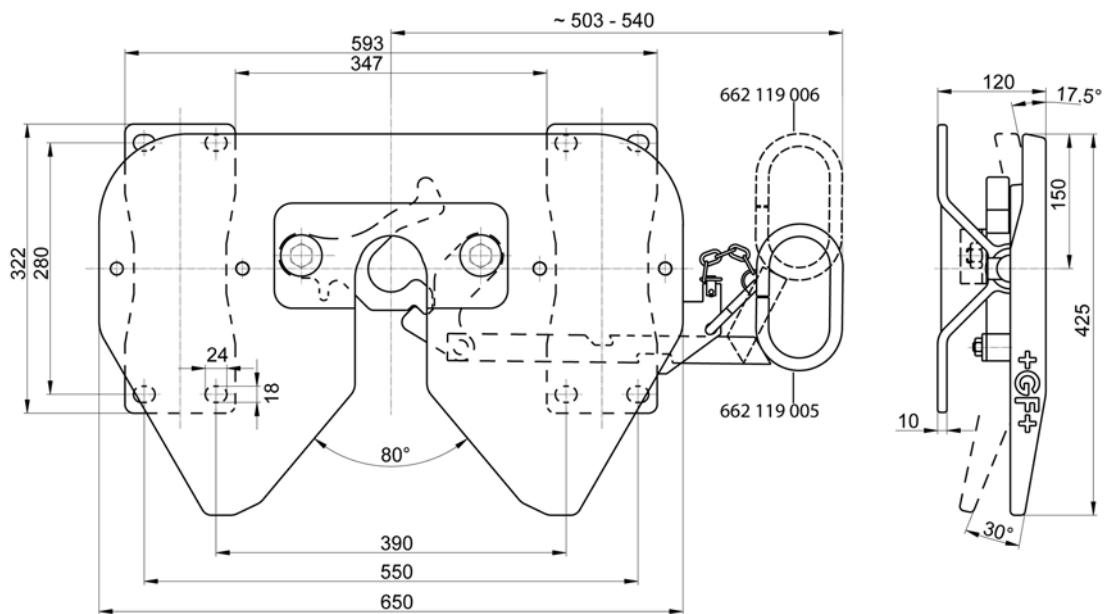


Technical data

Type	Overall height	D-value	Weight	Angle of inclination	Coupling point	Order no.
	mm	kN	kg	degree (w1/w2)		
SK-L 26.3	120	22.5	34.5	30°/17.5°	from 101 mm	662 119 005
SK-L 26.3	120	22.5	34.5	30°/17.5°	up to 100 mm	662 119 006

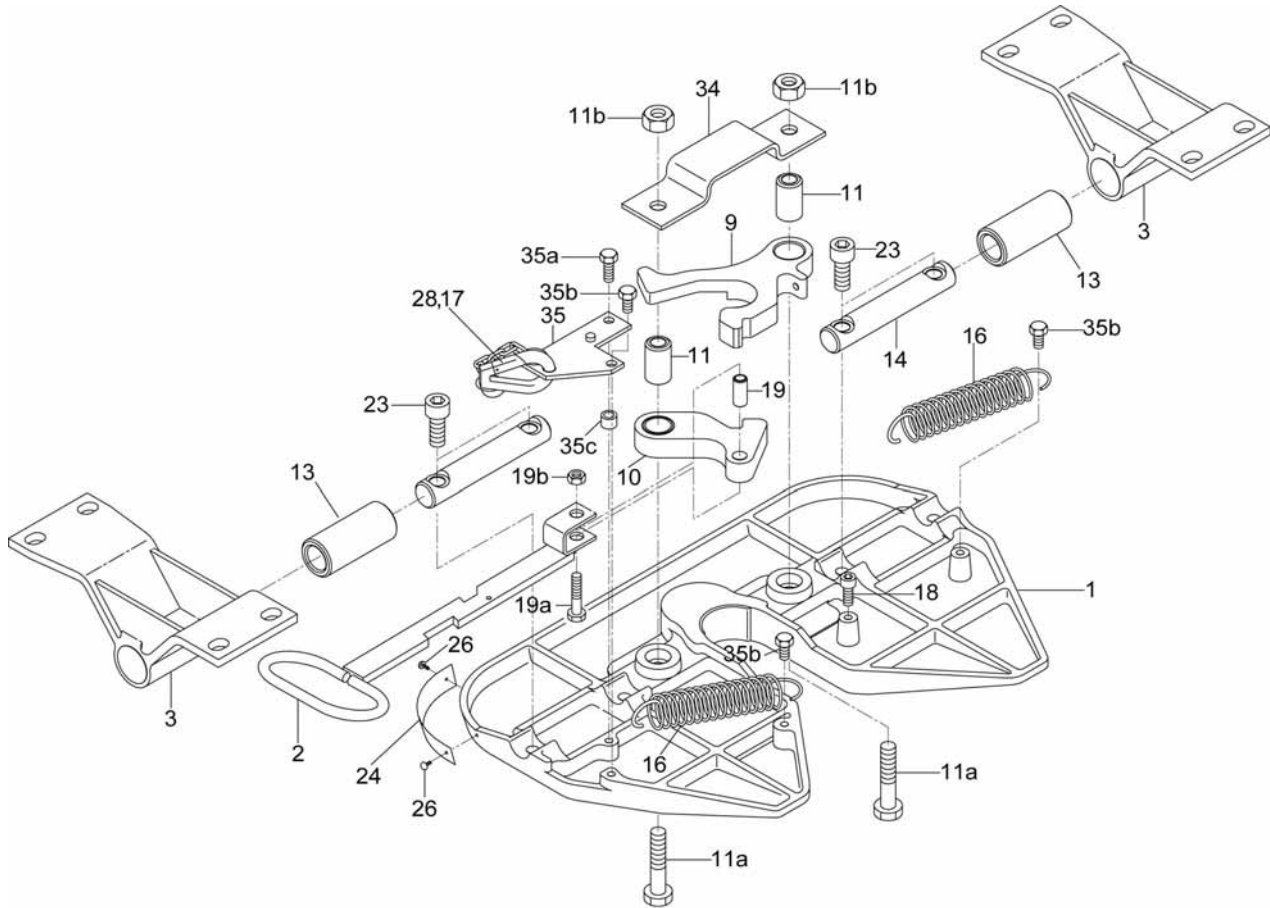
- Later conversion from ..005 to ..006 possible and vice-versa
- EU test no.: e 1-00-0474

Dimensions



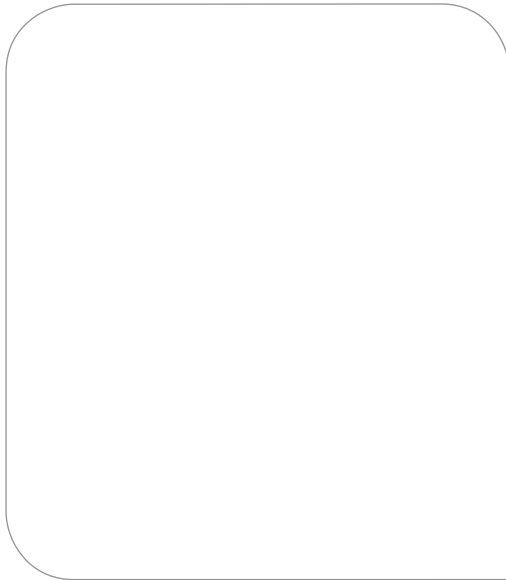
Subject to modifications in dimensions and design

Spare parts SK-L 26.3



Item	Component (price per piece)	Serial no.	Pcs.	Order no.
1	Fifth wheel plate		1	662 119 118
2	Operating handle for 662,119,005		1	662 119 134
2a	Operating handle for 662,119,006		1	662 119 148
3	Mounting bracket		2	662 119 147
9	Coupler jaw assembly		1	662 119 137
10	Locking hook assembly		1	662 119 139
11	Pin		2	662 119 141
11a	Hex. bolt		2	659 112 355
11b	Nut		2	662 126 152
13	Rubber bush		2	662 119 111
14	Trunnion pin		2	662 119 143
16	Tension spring		2	662 126 410
17	Carabiner hook with chain		1	662 100 574
18	Cap bolt	0 - 108683	1	659 112 358
19	Stud		1	662 119 144
19a	Hex. bolt		1	659 112 357
19b	Nut		1	659 100 036
23	Cap bolt		4	659 112 356
24	Manufacturer's plate D/E/F		1	659 120 375
26	Rivet (3x8)		2	662 126 173
28	Hammer rivet		1	662 126 151
34	Bridge plate		1	662 119 142
35	Safety flange		1	662 119 135
35a	Hex. bolt	0 - 108683	1	659 112 360
35b	Hex. bolt	108684 - ...	4	659 112 359
35c	Bush	0 - 108683	1	662 119 146

Notes



With the original for the original

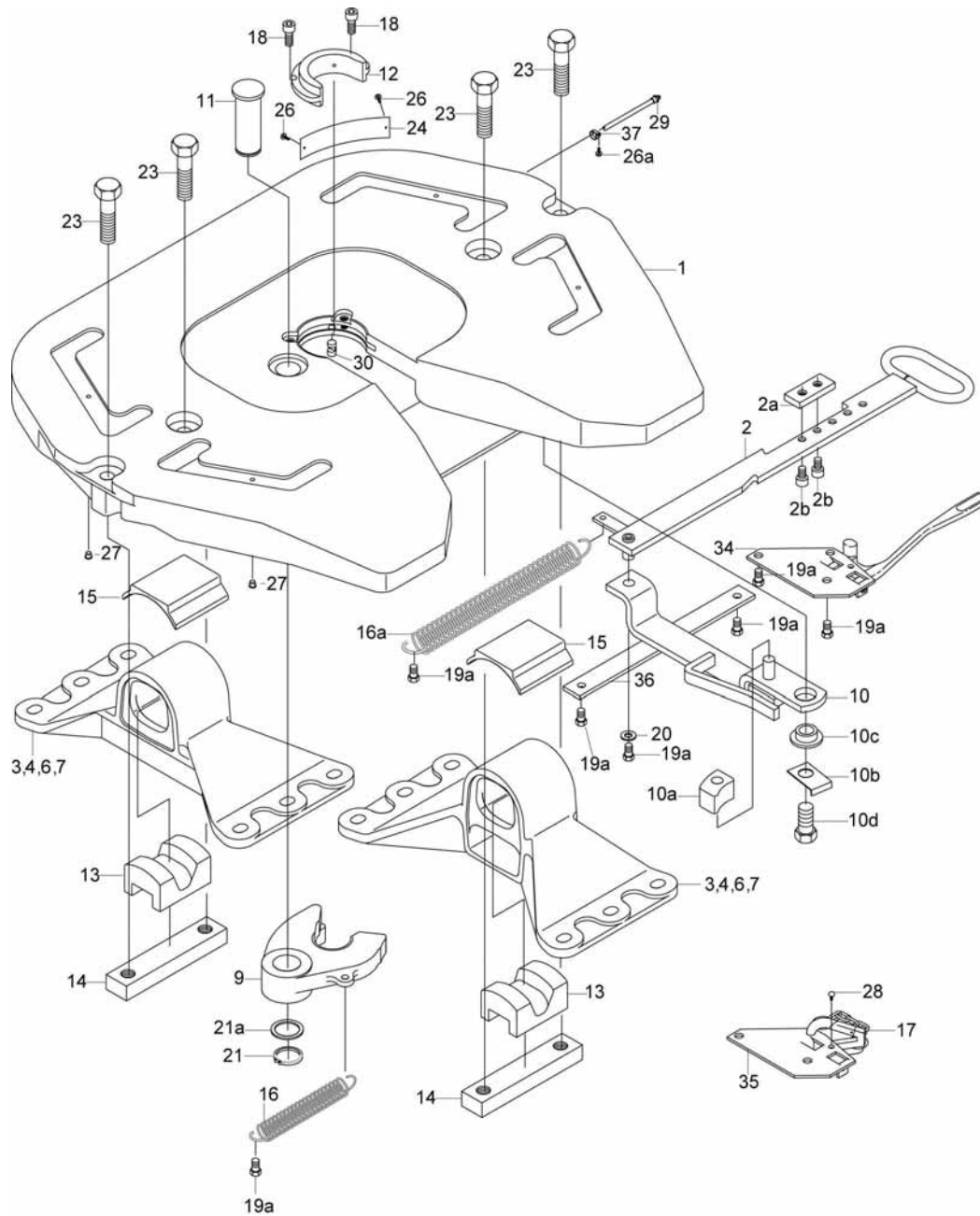
Georg Fischer spare parts.
Convincing in price and
guaranteed quality.

With correct maintenance
and care, the service life of
the fifth wheel is increased
significantly.

All movable parts on the
SK-S 36.20 can be replaced
with just a few turns.



Spare parts SK-S 36.20 (phased-out range)



Item	Component (price per piece)	Serial no.	Pcs.	Order no.
	Repair kit for locking mechanism and bearings	13000 - ...		662 101 493
	Repair kit for locking mechanism and bearings	0 - 12999		662 101 477
	Repair kit for locking mechanism (9, 11, 12, 18, 21)	13000 - ...		662 101 492
	Repair kit for locking mechanism (9, 11, 12, 18, 21)	0 - 12999		662 101 475
	Repair kit for bearings (13, 15, 23)			662 101 473
	Repair kit for wear ring (12,18)	13000 - ...		662 101 566
	Repair kit for wear ring (12,18)	0 - 12999		662 101 565
1	Fifth wheel plate		1	662 129 371
2	Operating handle, complete (2a, 2b)	13000 - ...	1	662 129 166
2	Operating handle	12000 - 12999	1	662 129 146
2	Operating handle	0 - 11999	1	662 129 130
2a	Adjustment plate	13000 - ...	1	662 129 158

Item	Component (price per piece)	Serial no.	Pcs.	Order no.
2a	Adjustment plate	0 - 12999	1	662 129 133
2b	Cap bolt	13000 - ...	2	659 112 371
2b	Cap bolt	0 - 12999	1	659 100 017
3	Mounting bracket 128 mm		2	662 129 383
4	Mounting bracket 150 mm		2	662 129 384
6	Mounting bracket 185 mm		2	662 129 385
6	Mounting bracket 225 mm		2	662 129 389
7	Mounting bracket 250 mm		2	662 129 386
9	Coupler jaw		1	662 129 134
10	Locking hook	13000 - ...	1	662 129 156
10	Locking hook	12000 - 12999	1	662 129 143
10	Locking hook	0 - 11999	1	662 129 129
10a	Stopper		1	662 129 381
10b	Locking plate		1	662 129 387
10c	Bush		1	662 129 374
10d	Hex. bolt		1	662 129 600
11	Pin		1	662 129 375
12	Wear ring	13000 - ...	1	662 129 377
12	Wear ring	0 - 12999	1	662 129 373
13	Rubber damper		2	662 114 110
14	Tensioning bar		2	662 129 388
15	Bearing insert		2	662 130 101
16	Tension spring		1	662 126 411
16a	Tension spring		1	662 129 317
17	Carabiner hook with chain		1	662 100 574
18	Cap bolt	12999 - ...	2	659 112 372
18	Cap bolt	0 - 13000	2	662 126 155
19a	Hex. bolt	13000 - ...	7	659 112 359
19a	Hex. bolt	0 - 12999	5	662 126 172
20	Washer		1	662 126 175
21	Circlip		1	659 100 027
21a	Supporting washer		1	659 100 026
23	Hex. bolt		4	662 129 606
24	Manufacturer's plate		1	659 120 380
26	Rivet		2	662 126 173
26a	Rivet		1	662 126 179
27	Plastic plug	13000 - ...	4	662 126 223
27	Plastic plug	0 - 12999	2	662 126 223
28	Hammer rivet		1	662 126 151
29	Lubrication tube	13000 - ...	1	659 144 106
29	Lubrication tube	0 - 12999	1	662 129 392
30	Grease plug	13000 - ...	1	662 129 380
34	Automatic latch		1	662 129 153
35	Safety flange for carabiner hook	12000 - ...	1	662 129 147
35	Safety flange for carabiner hook	0 - 11999	1	662 129 376
36	Guide plate		1	662 129 144
37	Lock nut		1	659 100 029
38	Hex. bolt	0 - 12999	2	662 111 202
	Lock nut (not shown)	0 - 12999	1	662 126 176
	Grease nipple (not shown)	0 - 12999	1	662 126 224
	Eyebolt (not shown)	0 - 12999	1	662 126 465
	Plastic plug (not shown)	0 - 12999	4	662 129 393

The spare parts for the SK-S 36.20 are fully compatible with the SK-S 36.20 PLUS.

Spare parts SK-S 36.20 V (long mounting angles)

Overall height 140 mm: GF-no.: **662129901**, 662129902

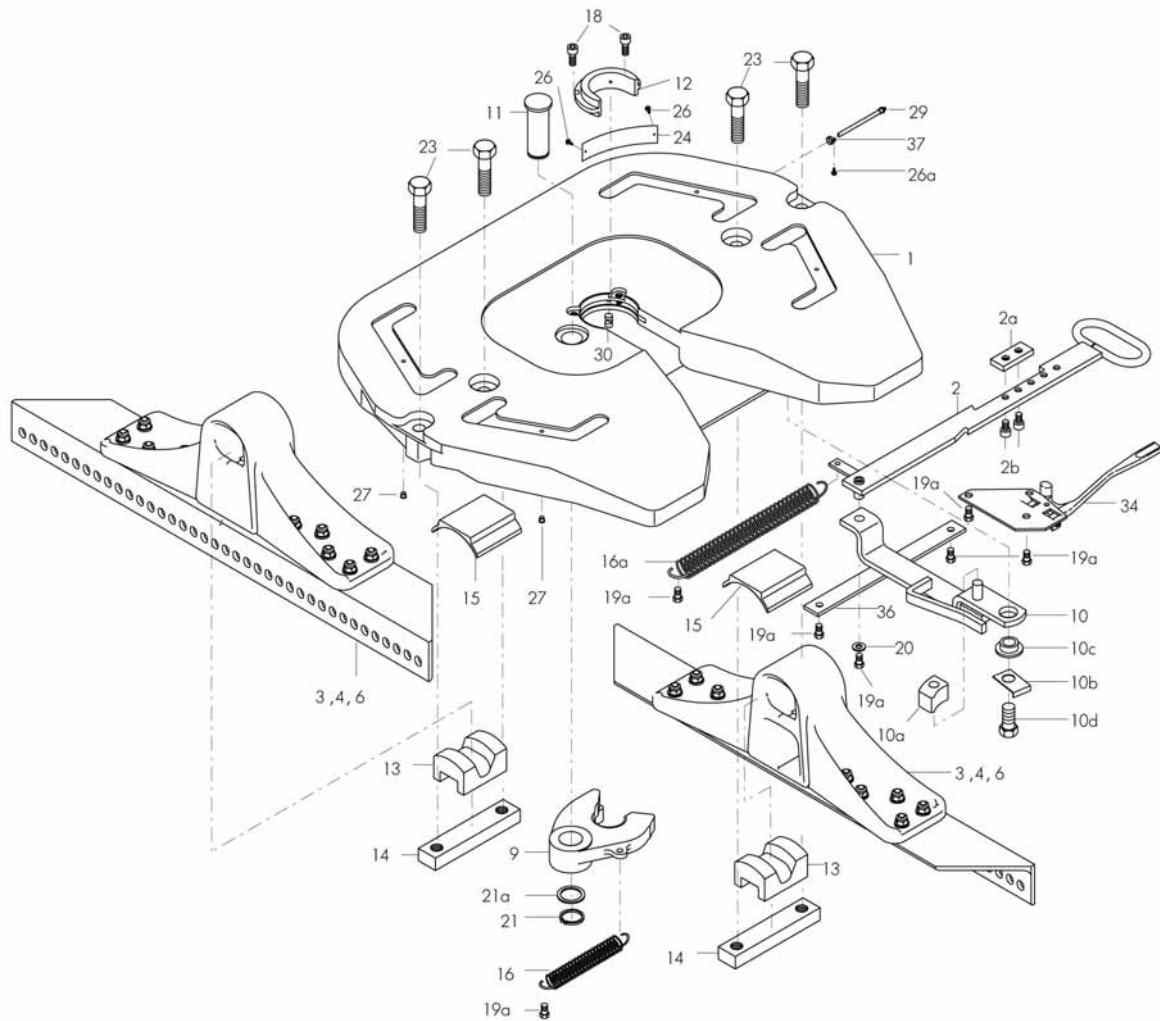
Overall height 140 mm: GF-no.: **662129911** with central lubrication kit

Overall height 160 mm: GF-no.: **662129903**, 662129904

Overall height 160 mm: GF-no.: **662129912**, **662129913** with central lubrication kit

Overall height 200 mm: GF-no.: **662129905**, 662129906

Overall height 160 mm: GF-no.: **662129914**, **662129915** with central lubrication kit

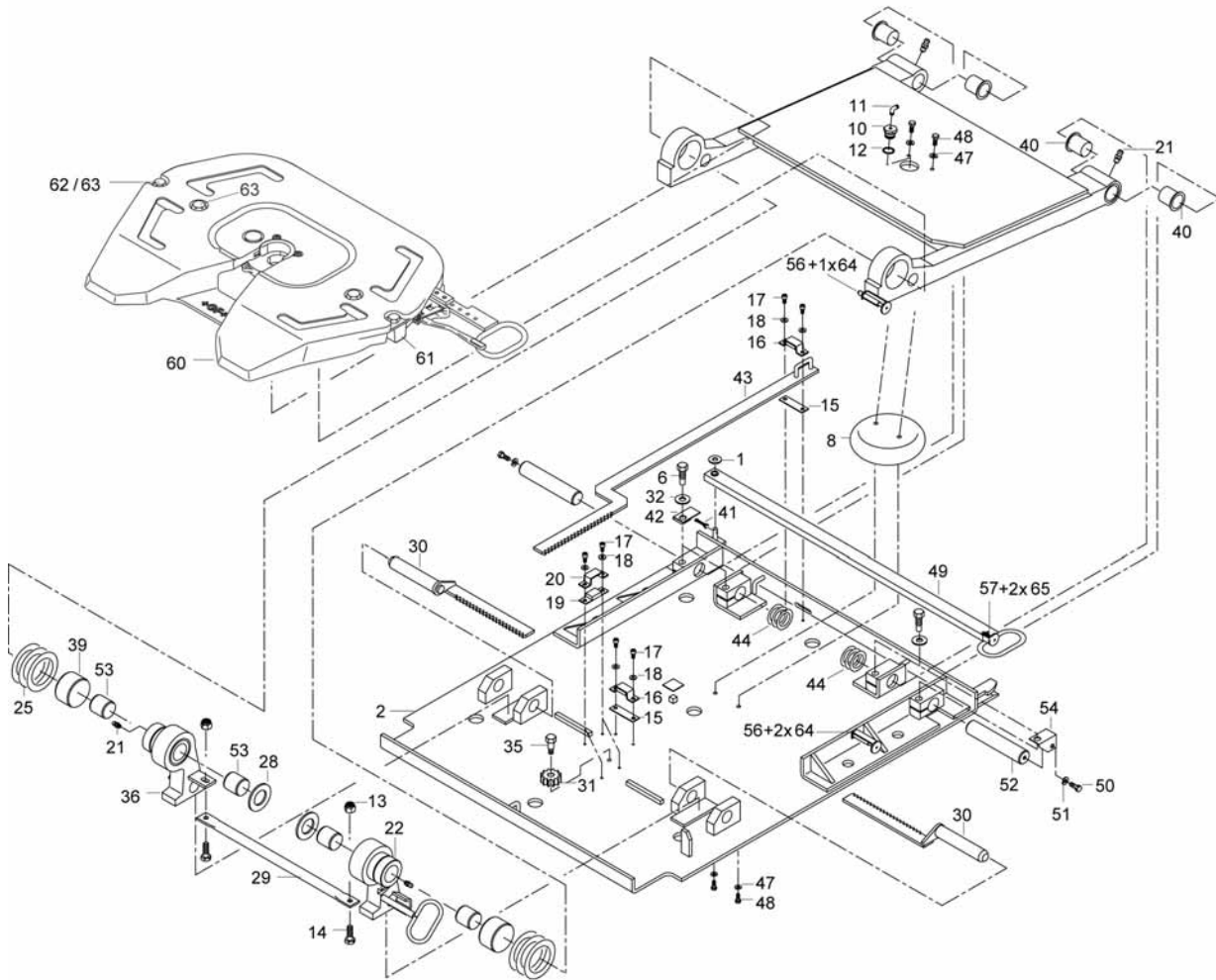


Item	Component (price per piece)	Pcs.	Order no.
	Repair kit for locking mechanism and bearings (9,11,12,13,15,18,21,23)		662 101 493
	Repair kit for locking mechanism (9,11,12,18,21)		662 101 492
	Repair kit for bearings (13,15,23)		662 101 473
1	Fifth wheel plate	1	662 129 371
2	Operating handle, complete	1	662 129 166
2a	Adjustment plate	1	662 129 158
2b	Cap bolt	2	659 112 371
3	Mounting angle 140 mm left [right], complete	1	662 126 249
3	Mounting angle 140 mm right [left], complete	1	662 126 248
4	Mounting angle 160 mm left [right], complete	1	662 126 240
4	Mounting angle 160 mm right [left], complete	1	662 126 241
6	Mounting angle 200 mm left [right], complete	1	662 126 237
6	Mounting angle 200 mm right [left], complete	1	662 126 238
9	Coupler jaw	1	662 129 134
10	Locking hook	1	662 129 156
10a	Stopper	1	662 129 381
10b	Locking plate	1	662 129 387
10c	Bush	1	662 129 374
10d	Hex. bolt	1	662 129 600
11	Pin	1	662 129 375
12	Wear ring	1	662 129 377
13	Rubber damper	2	662 114 110
14	Tensioning bar	2	662 129 388
15	Bearing insert	2	662 130 101
16	Tension spring	1	662 126 411
16a	Tension spring	1	662 129 317
18	Cap bolt	2	659 112 372
19a	Hex. bolt	7	659 112 359
20	Washer	1	662 126 175
21	Circlip	1	659 100 027
21a	Supporting washer	1	659 100 026
23	Hex. bolt	4	662 129 606
24	Manufacturer's plate	1	659 120 380
26	Rivet	2	662 126 173
26a	Rivet	1	662 126 179
27	Plastic plug	4	662 126 223
28	Hammer rivet		662 126 151
29	Lubrication tube	1	659 144 106
30	Grease plug	1	662 129 380
34	Automatic latch	1	662 129 153
36	Guide plate	1	662 129 144
37	Lock nut	1	659 100 029
	Central lubrication * (not shown)	1	659 144 143

A reversal of the mounting angles increases or decreases the coupling point by 25 mm.

Spare parts SK-S 36.20 H / SK-S 36.22 H

When placing your order, please always indicate the article no. as well as the serial no. of your dual height fifth wheel. Spare parts for Fifth wheel plate see Spare parts list of the respective Fifth wheel type.



Item	Component (price per piece)	Pcs.	Order no.
	Repair kits for rocker bearing (40,44,52)		662 132 195
	Repair kits for support bearing (13,14,25,39,53)		662 132 196
1	Washer	2	662 132 204
2	Base plate 10 mm	1	662 132 100
6	Hex. bolt	4	662 132 210
7	Rocker arm	1	662 132 131
8	Air bellows	1	662 132 200
10	Air inlet adaptor	1	662 132 135
11	90° elbow connector	1	662 126 493
12	Sealing ring	1	662 132 201
13	Locking nut	2	662 132 215
14	He. bolt	2	662 132 211
15	Spacer plate	2	662 132 115
16	Guide bracket	2	662 132 118
17	Hex. socket screw	8	662 132 212
18	Washer	8	662 132 213
19	Spacer	2	662 132 116
20	Bracket	2	662 132 117

Item	Component (price per piece)	Pcs.	Order no.
21	Grease nipple	4	662 132 214
22	Left support 100 mm	1	662 132 122
22	Left support 150 mm	1	662 132 125
22	Left support 200 mm	1	662 132 128
25	Set of spacers *	1	662 132 198
28	Spacer **	1	662 132 197
29	Guide pipe	1	662 132 120
30	Gear bolt	2	662 132 138
31	Toothed wheel	1	662 132 119
32	Washer	4	662 132 206
35	Bolt	1	659 112 381
36	Right support 100 mm	1	662 132 123
36	Right support 150 mm	1	662 132 126
36	Right support 200 mm	1	662 132 129
39	Bush (D 85x80x50)	2	662 132 130
40	Bush (D 44x40x50 WG66)	4	662 132 132
41	Splint pin	1	662 132 205
42	Left locking plate	1	662 132 155
43	Actuating rod	1	662 132 112
44	Set of spacing washers *	3	662 132 199
47	Spring washer	4	662 132 208
48	Hex. bolt	4	662 132 207
49	Locking lever	1	662 132 170
50	Hex. bolt	2	662 132 203
51	Spring washer	2	662 132 202
52	Stud	2	662 132 110
53	Bush	4	662 132 146
54	Right locking plate	1	662 132 111
55	Cap	4	659 144 142
56	Spring lock	2	662 132 172
57	Spring lock	1	662 132 171
58	Central lubrication system BEKA-MAX	1	662 132 041
60	Fifth wheel without bearings (model on demand)	1	
61	Shaft	2	662 132 292
62	Spring pin	2	662 132 293
63	Hex. bolt	4	659 112 627
64	Locking nut	3	659 115 313
65	Locking nut	2	659 115 312
	Holding plate (not shown)	1	662 132 139
	3/2-way valve (not shown)	1	662 132 156
	Pneumatic hose 1.5 m (not shown)	1	662 132 169

*) Set contains spacers D 116x80x0.5, D 116x80x1, D 116x80x2

**) Set contains spacers 2x D 80x45x0.5, 2x D 80x45x1, 2x D 80x40.5x2

***) Set contains spacing washers D 65x40.5x0.5, D 65x40.5x1, D 65x40.5x2

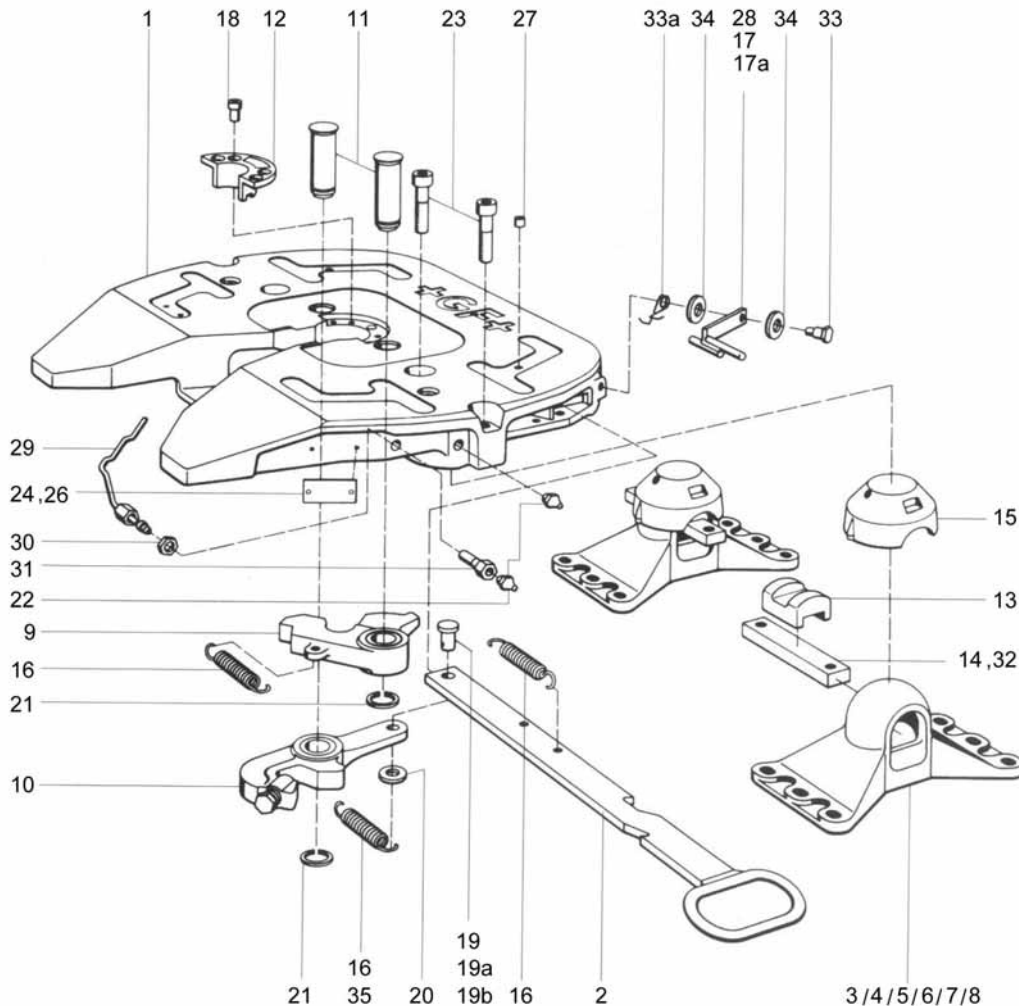
Spare parts SK-S 36.22

Model 1: 662127102, 662127104, 662127106, 662127108, 662127110, 662127112, 662127114, 662127116

Model 2: 662127168-171

Model 3: 662127152-155, 662127179, 662127181

This illustration shows only the parts of the most recent model (type 3).



Item	Component (price per piece)	Model	Serial no.	Pcs.	Order no.
	Repair kit for locking mechanism and bearings (9,11**,12,13,15,18,19a+b,21**,23)	1			662 101 313
	Repair kit** for locking mechanism and bearings (9,11**,12,13,15,18,19a+b,21**,23)	2			662 101 368
	Repair kit for locking mechanism and bearings (9,11**,12,13,15,18,19a+b,21**,23)	3	900000 - ...		662 101 422
	Repair kit for locking mechanism and bearings (9,11**,12,13,15,18,19a+b,21**,23)	3	0 - 899999		662 101 332
	Repair kit** for locking mechanism (9,11**,12,18,19a+b,21**)	1			662 101 314
	Repair kit** for locking mechanism (9,11**,12,18,19a+b,21**)	2			662 101 367
	Repair kit for locking mechanism (9,11**,12,18,19a+b,21**)	3	900000 - ...		662 101 423
	Repair kit for locking mechanism (9,11**,12,18,19a+b,21**)	3	0 - 899999		662 101 333
	Repair kit for bearings (13,15,23)	1+2			662 101 315
	Repair kit for bearings (13,15,23)	3			662 101 334
1	Fifth wheel plate	1		1	662 126 207
1	Fifth wheel plate *	1		1	662 126 208
1	Fifth wheel plate	2		1	662 126 220
1	Fifth wheel plate	3		1	662 126 230

Item	Component (price per piece)	Model	Serial no.	Pcs.	Order no.
2	Operating handle			1	662 126 473
2	Operating handle**, rear	1		1	662 126 407
3	Mounting bracket 128 mm	3		2	662 126 636
4	Mounting bracket 150 mm	1+2		2	662 126 601
4	Mounting bracket 150 mm	3		2	662 126 631
5	Mounting bracket 170 mm	3		2	662 126 635
6	Mounting bracket 185 mm	1+2		2	662 126 602
6	Mounting bracket 185 mm	3		2	662 126 629
7	Mounting bracket 250 mm	1+2		2	662 126 603
7	Mounting bracket 250 mm	3		2	662 126 630
8	Mounting bracket 300 mm	1+2		2	662 126 604
8	Mounting bracket 300 mm	3		2	662 126 632
9	Coupler jaw assembly			1	662 126 403
10	Locking hook assembly (incl. bolt, spacer washer)			1	662 126 401
	Bolt			1	662 126 450
	Spacer washer			4	662 126 456
11	Pin	1		2	662 126 409
11	Pin	2		2	662 126 433
11	Pin	3		2	662 126 441
12	Wear ring	3	900000 - ...	1	662 126 229
12	Wear ring		0 - 899999	1	662 126 202
13	Rubber damper	1+2		2	662 126 608
13	Rubber damper	3		2	662 114 110
14	Tensioning bar	1+2		2	662 126 607
14	Tensioning bar	3		2	662 126 634
15	Bearing	1+2		2	662 126 600
15	Bearing	3		2	662 126 633
16	Tension spring ***			3	662 126 410
17	Carabiner hook with chain	1+2		1	662 100 574
17a	Safety cap	3		1	662 126 638
18	Cap bolt			4	662 126 155
19	Stud	1+3		1	662 126 429
19	Stud	2		1	662 126 449
19a	Bolt	2		1	662 126 172
19b	Splint pin	1		1	662 126 183
20	Washer	1+3		1	662 126 159
20	Washer	2		1	662 126 175
21	Circlip	3		2	662 126 169
21	Split pin	1		2	659 100 041
21	Splint / washer	2		1	662 126 174
22	Grease nipple	1		1	662 126 168
22	Grease nipple	2+3		1	662 126 224
23	Cap bolt	3		1	662 125 171
23	Nut	1+2		1	662 126 152
24	Manufacturer's plate			1	659 120 370
26	Rivet			2	662 126 173
27	Dust cap			5	662 126 223
28	Hammer rivet	1+2		4	662 126 151
29	Lubrication tube assembly	2		1	662 126 452
29	Lubrication tube assembly	3		1	662 126 464
30	Lock nut	2+3		1	662 126 176
31	Eyebolt	2+3		1	662 126 465
32	Hose clip	1+2		4	662 126 609
33	Bolt	3		1	662 126 488
33a	Torsion spring	3		1	662 126 640
34	Spacer	3		2	662 126 495
35	Tension spring ***	3		1	662 126 411

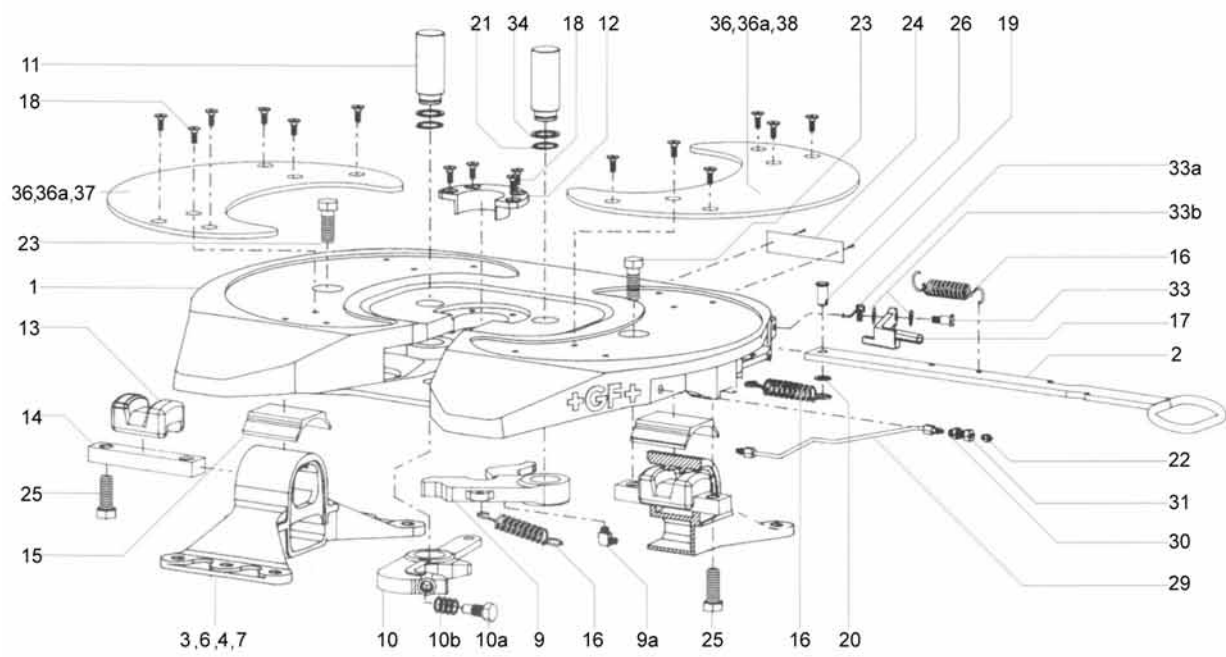
* For SK models 662 127 104 / 662 127 108 / 662 127 112 / 662 127 116

** 1 pcs.

*** up to serial no. 949295: 3x 662 126 410, from serial no. 1x 662 126 411, 2x 662 126 410

Spare parts SK-S 36.22 W

For order no. 662 130 001 (128mm), 662 130 002 (150mm),
662 130 003 (185mm), 662 130 004 (250mm)



Item	Component (price per piece)	Serial no.	Pcs.	Order no.
	Repair kit for locking mechanism and bearings (9,10b,11,12,13,15,18,21,23,25)			662 101 447
	Repair kit for locking mechanism (9,10b,11,12,18,21)			662 101 448
	Repair kit for bearings (13,15,23,25)			662 101 449
	Repair kit for slide coating (18,36)	20025 - ...		662 101 469
	Repair kit for slide coating (18,37,38)	MA-Nr.		662 101 450
1	Fifth wheel plate		1	662 130 120
2	Unlocking handle		1	662 126 473
3	Mounting bracket 128 mm		2	662 129 383
4	Mounting bracket 150 mm		2	662 129 384
6	Mounting bracket 185 mm		2	662 129 385
7	Mounting bracket 250 mm		2	662 129 386
9	Coupler jaw assembly		1	662 130 104
9a	Angle connector		1	662 126 493
10	Locking hook assembly		1	662 130 110
10a	Adjusting screw		1	662 126 450
10b	Shim ring		4	662 126 456
11	Pin		2	662 126 472
12	Wearing ring		1	662 130 123
13	Rubber damper		2	662 114 110
14	Bracket		2	662 130 107
15	Bearing		2	662 130 101
16	Tension spring	23727 - ...	2	662 126 410
16	Tension spring	23727 - ...	1	662 126 411
16	Tension spring	0 - 23726	3	662 126 410
17	Safety cap		1	662 126 638
18	Collar screw, special		16	662 130 114
19	Stud		1	662 126 471
20	Disc		1	662 126 159
21	Circlip		2	659 100 027
22	Grease nipple		1	662 126 224
23	Hex. screw		2	662 129 606
24	Manufacturer's plate		1	659 120 380
25	Hex. screw		2	659 112 512
26	Hemispherical ribbed nail		2	662 126 173
29	Lubrication pipe assembly		1	662 130 118
30	Lock nut		1	662 126 176
31	Eyebolt		1	662 126 465
33	Screw		1	662 126 488
33a	Torsion spring		1	662 126 640
33b	Spacing washer		2	662 126 495
34	Supporting washer		2	659 100 026
36	Slide plate, 6 holes	20025 - ...	2	662 131 103
37	Left slide plate	MA-Nr.	1	662 130 112
38	Right slide plate	MA-Nr.	1	662 130 111

Spare parts SK-S 36.22 V / FSK 200 Vo.1

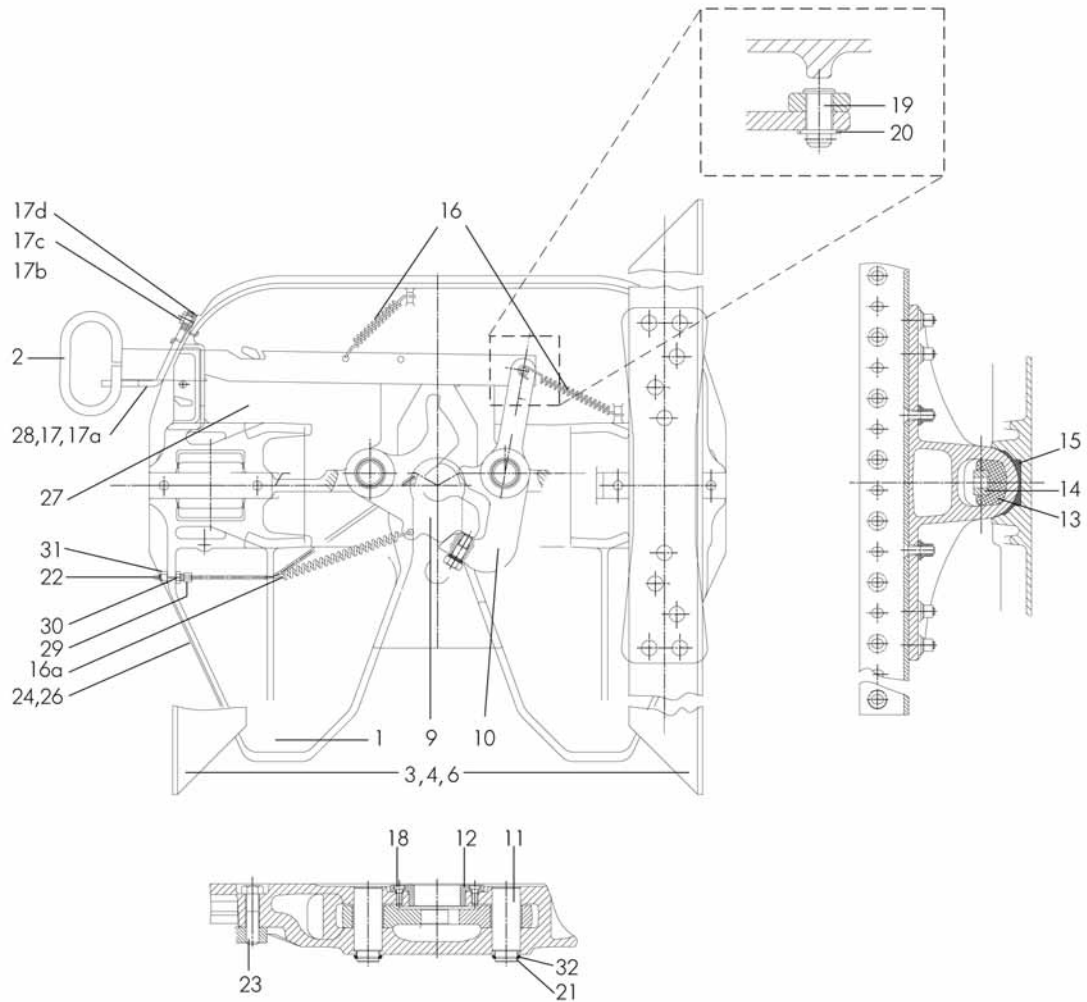
Overall height 140 mm: GF-no.: **662127223**, 662127224

Overall height 140 mm: GF-no.: **662127223** special

Overall height 160 mm: GF-no.: **662127192**, 662127202

Overall height 160 mm: GF-no.: **662127223** special

Overall height 200 mm: GF-no.: **662127184**, 662127203



Item	Component (price per piece)	Pcs.	Serial no.	Order no.
	Repair kit for locking mechanism and bearings (9,10b,11,12,13,15,18,21,23,32)		708700 - ...	662 101 474
	Repair kit for locking mechanism and bearings (9,10b,11,12,13,18,21,23,32)		0 - 708699	662 101 416
	Repair kit for locking mechanism (9,10b,11,12,18,21,32)		708700 - ...	662 101 414
	Repair kit for locking mechanism (9,10b,11,12,18,21,32)		0 - 708699	662 101 414
	Repair kit for bearings (13,15,23)		708700 - ...	662 101 473
	Repair kit for bearings (13,23)		0 - 708699	662 101 415
	Fifth wheel without mounting angles	1		662 127 195
1	Fifth wheel plate	1		662 126 228
2	Operating handle, complete	1		662 126 473
3	Mounting angle 140mm left [right] complete	1		662 126 249
3	Mounting angle 140mm right [left] complete	1		662 126 248
3	Mounting angle 140mm left complete special	1		662 127 231
3	Mounting angle 140mm right complete special	1		662 127 230
4	Mounting angle 160mm left [right] complete	1		662 126 240
4	Mounting angle 160mm right [left] complete	1		662 126 241
4	Mounting angle 160mm left complete special	1		662 127 243
4	Mounting angle 160mm right complete special	1		662 127 244
6	Mounting angle 200mm left [right] complete	1		662 126 237
6	Mounting angle 200mm right [left] complete	1		662 126 238
9	Coupler jaw complete	1		662 126 403
10	Locking hook complete	1		662 126 401
10a	Screw	1		662 126 450
10b	Shim ring	4		662 126 456
11	Pin	2		662 126 472
12	Wear ring	1		662 126 229
13	Rubber damper	2		662 114 110
14	Tensioning bar	2		662 129 388
15	Bearing insert	2	708700 - ...	662 130 101
16	Tension spring	2		662 126 410
16a	Tension spring	1	721546 - ...	662 126 411
17	Carabiner hook with chain	1	0 - 705288	662 100 574
17a	Safety cap	1	705289 - ...	662 126 638
17b	Leg spring	1	705289 - ...	662 126 640
17c	Bolt screw	1	705289 - ...	662 126 488
17d	Washer	2	705289 - ...	662 126 495
18	Cap bolt	4		662 126 155
19	Stud	1		662 126 471
20	Washer	1		662 126 159
21	Splint pin	2		659 100 027
22	Grease nipple	1	708700 - ...	662 126 224
22	Grease nipple	3	0 - 708699	662 126 224
23	Hex. bolt	4		662 129 606
24	Manufacturer's plate	1		659 120 370
26	Rivet	2		662 126 173
27	Plastic plug	3		662 126 223
28	Hammer rivet	1	0 - 705288	662 126 151
29	Lubrication tube assembly	1		662 126 484
30	Lock nut	1		662 126 176
31	Eyebolt	1		662 126 465
32	Spacer	2		659 100 026

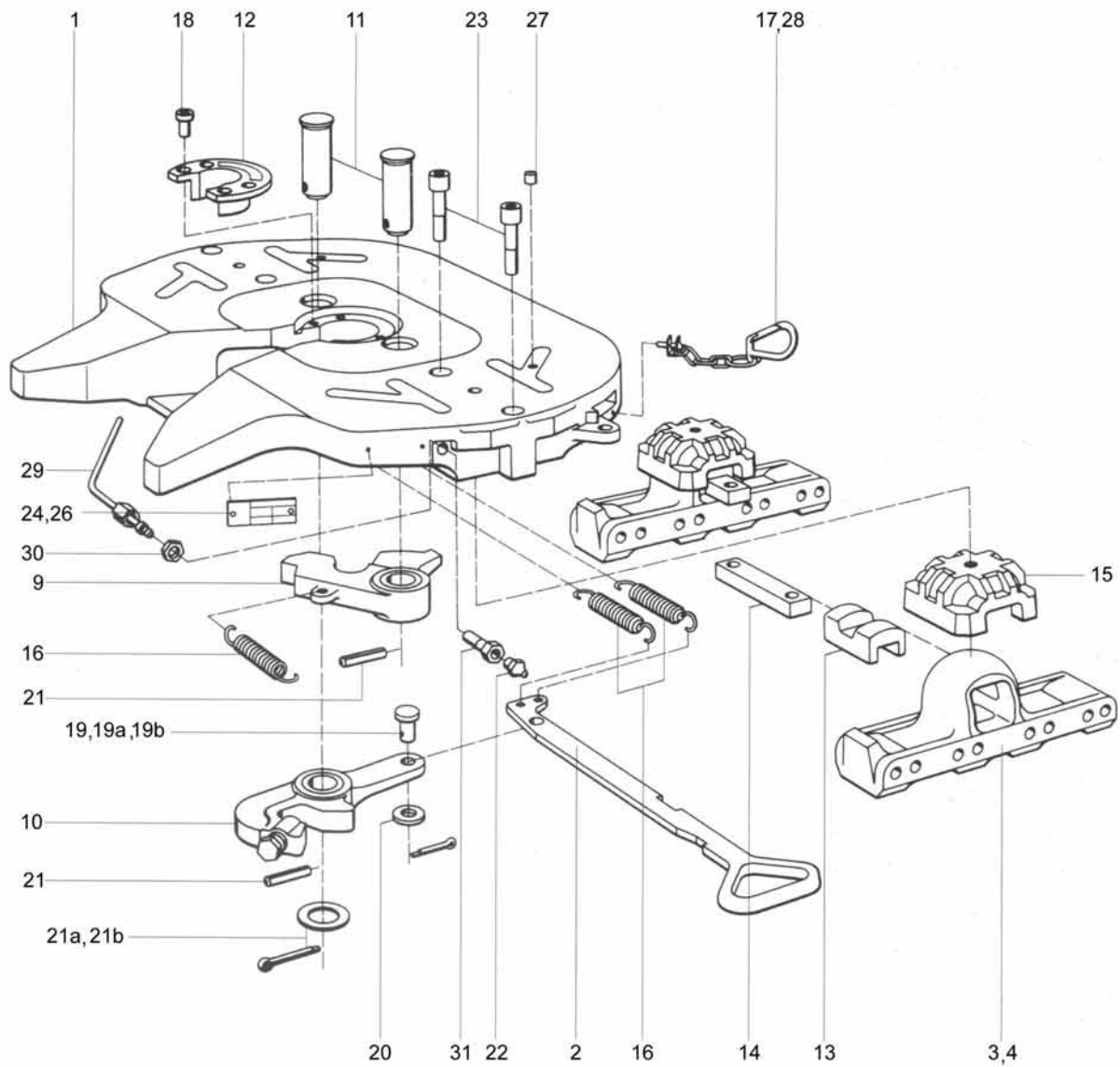
A reversal of the mounting angles increases or decreases the coupling point by 25 mm.

Spare parts SK-V 36.14.5

Model 1) for order no. 662 125 014 and 662 125 015

Model 2) for order no. 662 125 017 and 662 125 018

Model 3) for order no. 662 125 008 and 662 125 009



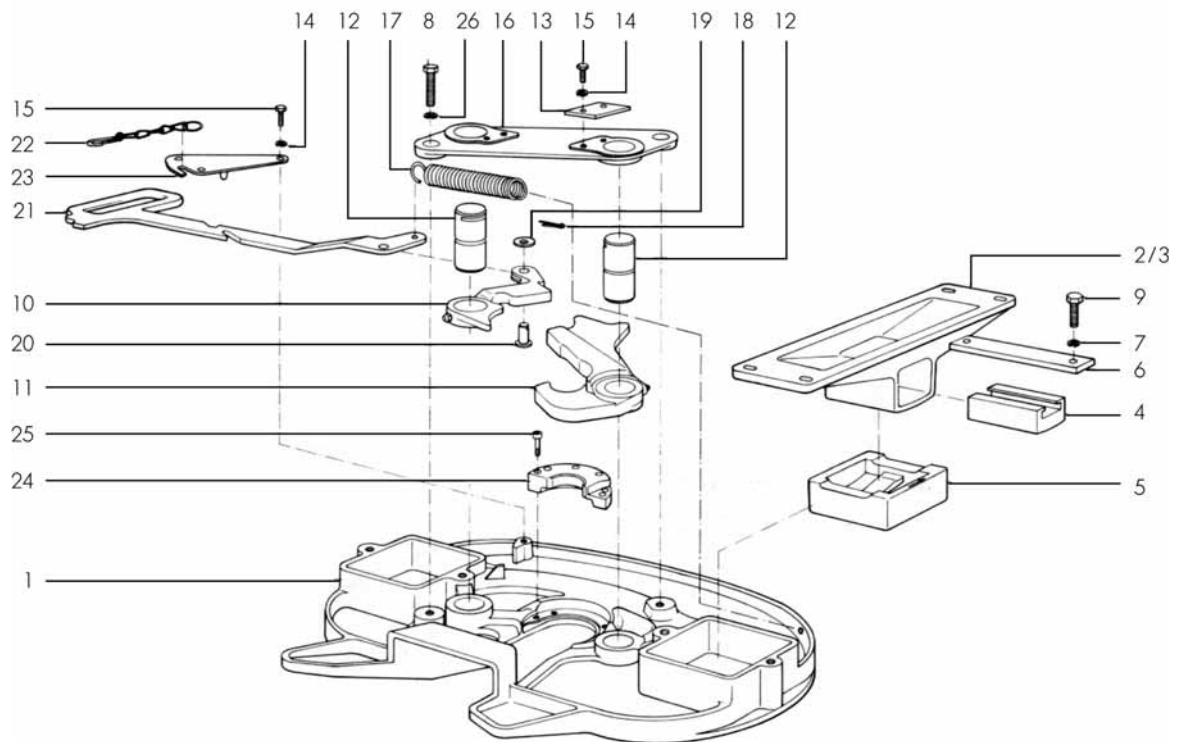
Item	Component (price per piece)	Model	Pcs.	Order no.
	Repair kits for lock mechanism and bearings (9,11*,12,13,15,18,19a+b**,21*,23)	1		662 101 386
	Repair kits for lock mechanism and bearings (9,11*,12,13,15,18,19a+b**,21*,23)	2		662 101 384
	Repair kits for lock mechanism and bearings (9,11*,12,13,15,18,19a+b**,21*,23)	3		662 101 381
	Repair kits for locking mechanism (9,11*,12,18,19a+b**,21*)	1		662 101 367
	Repair kits for locking mechanism (9,11*,12,18,19a+b**,21*)	2		662 101 385
	Repair kits for locking mechanism (9,11*,12,18,19a+b**,21*)	3		662 101 382
	Repair kits for bearings (13,15,23)	1		662 101 388
	Repair kits for bearings (13,15,23)	2+3		662 101 383
1	Fifth wheel plate	1	1	662 125 160
1	Fifth wheel plate	2	1	662 125 161
1	Fifth wheel plate	3	1	662 125 143
2	Operating handle		1	662 125 153
3	Mounting bracket 180 mm	1	2	662 125 167
3	Mounting bracket 180 mm	2+3	2	662 125 139
4	Mounting bracket 230 mm	1	2	662 125 168
4	Mounting bracket 230 mm	2+3	2	662 125 141
9	Coupler jaw assembly		1	662 126 403
10	Locking hook assembly		4	662 126 456
11	Pin	1+2	2	662 126 433
11	Pin	3	2	662 126 409
12	Wear ring		1	662 126 202
13	Rubber damper		2	662 114 110
14	Tensioning bar	1	2	662 125 158
14	Tensioning bar	2+3	2	662 125 155
15	Bearing		2	662 125 146
16	Tension spring		3	662 126 410
17	Carabiner hook with chain		1	662 100 574
18	Cap bolt		4	662 126 155
19	Stud	1	1	662 126 449
19	Stud	2+3	1	662 126 429
19a	Bolt	1	1	662 126 172
19b	Splint	2	1	662 126 183
20	Washer		1	662 126 175
21	Splint pin		2	662 126 174
21a	Washer ***		2	662 111 118
21b	Washer ***		2	662 111 121
22	Grease nipple	1+3	1	662 126 224
22	Grease nipple	2	1	662 126 168
23	Cap bolt	1	4	662 125 171
23	Cap bolt	2+3	4	662 125 154
24	Manufacturer's plate		1	659 120 380
26	Rivet		2	662 126 173
27	Dust cap	1+3	4	662 126 223
27	Dust cap	2	4	662 126 112
28	Hammer rivet		1	662 126 151
29	Lubrication tube assembly		1	662 125 172
30	Lock nut		1	662 126 176
31	Eyebolt		1	662 126 465

* 1 piece

** Included as accessory item for both models

*** If required

Spare parts SK-M 32



Item	Component (price per piece)	Type	Pcs.	Order no.
1	Fifth wheel plate		1	662 114 100
3	Mounting bracket 150 mm		2	662 114 101
2	Mounting bracket 190 mm		2	662 114 115
4	Rubber damper		2	662 114 110
5	Rubber bearing		2	662 108 106
6	Tensioning bar		2	662 114 105
7	Spring ring 20 DIN 128		12	662 111 201
8	Hex. bolt M 20x60		4	662 114 121
9	Hex. bolt M 20x45		8	662 111 203
10	Locking hook complete	662114000, 662114001	1	662 112 217
10	Locking hook complete	662114015, 662114016	1	662 112 244
11	Coupler jaw complete	662114000, 662114001	1	662 112 216
11	Coupler jaw complete	662114015, 662114016	1	662 112 243
12	Pin	662114000, 662114001	2	662 112 281
12	Pin	662114015, 662114016	2	662 112 281
13	Locking plate		2	662 112 144
14	Spring ring 10		6	662 111 200
15	Hex. bolt M 10x25		6	662 111 202
16	Bearing plate		1	662 114 113
17	Tension spring		1	662 114 112
18	Splint 4x28		1	662 126 183
19	Washer 17x30		1	662 126 159
20	Bolt		1	662 112 128
21	Operating handle		1	662 114 107
22	Carabiner hook with chain		1	662 100 301
23	Safety flange for carabiner hook		1	662 114 106
24	Wear ring		1	662 112 235
25	Cap bolt		4	662 100 290
26	Spring ring 16		2	662 114 122

Mounting Plates

Mobility

People are increasingly mobile, and they have ever greater demands for comfort and safety in their vehicles. With its highly stressable cast parts made of light metal and iron, GF Automotive makes it possible to build commercial vehicles that are both light-weight and safe.

Mounting plates without holes for mounting angles

Mounting plates serve to attach the fifth wheel to the vehicle and must be securely connected to the frame assembly of the semi-trailer tractor.

Georg Fischer mounting plates with diverse heights enable you to optimally take advantage of the permissible total overall heights of tractors.



- Made of high-grade, weldable steel plate
- Large assortment, optimal design for all tractors and fifth wheels
- 7 individual mounting plate heights: 12, 16, 22, 40, 50, 100 and 150 mm
- The combinations of mounting plates and fifth wheels allow 23 different total overall heights and thereby cover all needs from the lowest to the highest construction type
- Approved for forced steering
- Mounting hole pattern according to DIN 74081, 74084 and ISO 3842
- Wider range of application due to higher imposed load and higher D-value
- Type approved

Mounting plates without holes for mounting angles for fifth wheels up to 22t imposed load

Mounting hole pattern according to DIN 74081 / ISO 3842

Type	Overall height	Imposed load	D-value	Weight	A	B	Mounting kit	Type approval	Order no.
	mm	t	kN	kg	mm	mm	FW-MP	EG	
MP 300	12	22	162,4	64,0	710	960	662 101 555	e11-00-0379	662 101 300
MP 299	12	22	162,4	69,0	710	1060	662 101 555	e11-00-0379	662 101 299
MP 433 *	12	22	162,4	60,0	710	960	662 101 514	e11-00-0382	662 101 433
MP 486 **	12	20	152,0	44,5	650	960	662 101 555	e11-00-0953	662 101 486
MP 106	22	22	162,4	41,0	665	960	662 101 353 / 662 101 442	e11-00-0380	662 101 106
MP 199	22	22	162,4	45,0	665	1060	662 101 353 / 662 101 442	e11-00-0380	662 101 199
MP 249	22	22	162,4	48,5	710	1060	662 101 353 / 662 101 442	e11-00-0384	662 101 249
MP 060	40	22	162,4	45,0	665	960	662 101 498	e11-00-0378	662 101 060
MP 078	40	22	162,4	49,0	665	1060	662 101 498	e11-00-0378	662 101 078
MP 331	100	16	108,0	81,0	710	970	662 101 498	e11-00-0383	662 101 331
MP 445	150	15	108,0		665	960	662 101 498	e11-00-0117	662 101 445

*) for SK-S 36.22 / Overall height 128 mm

***) for SK-S 36.20 / Overall height 128 mm (with cutout)

Mounting plates without holes for mounting angles for fifth wheels up to 36t imposed load

Mounting hole pattern according to DIN 74084 / ISO 3842

Type	Overall height	Imposed load	D-value	Weight	A	B	Mounting kit	Type approval	Order no.
	mm	t	kN	kg	mm	mm	FW-MP	EG	
MP 301	16	36	280	85,0	710	960	662 101 553	e11-00-0385	662 101 301
MP 274 *	50	36	220	72,0	730	960	662 101 551	e11-00-0387	662 101 274

Suitable for SK-HD 38.36 / G

*) No stockkeeping, please request price and delivery schedule

Special mounting plates without holes for mounting angles

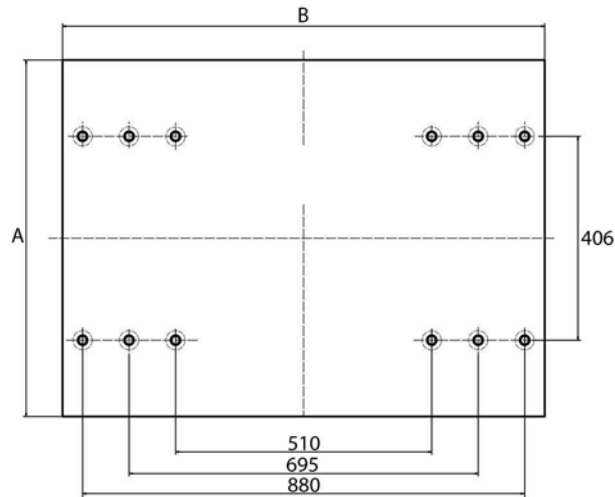
No stockkeeping. Prices, delivery schedules and additional pre-drilled mounting plates available by request.

Type	Overall height	Imposed load	D-value	Weight	A	B	Mounting kit	Type approval	Order no.
	mm	t	kN	kg	mm	mm	FW-MP	EG	
MP 515	12	22	162,4	64,0	710	960	662 101 555	e11-00-0379	662 101 515
MP 302 *	16	36	280,0	85,0	710	1060	662 101 553	e11-00-0385	662 101 302
MP 246 **	40	22	162,4	45,0	710	960		e11-00-0217	662 101 246

*) for SK-HD 38.36

**) Replaced by MP 060 (Observe special mounting instructions)

Dimensions



Hole pattern in accordance with DIN 74081/84 and ISO 3842

Mounting plates with predrilled holes for mounting angles

The following mounting plates are already equipped with the respective mounting hole patterns of the manufacturers. Prices and delivery schedules as well as additional pre-drilled mounting plates available by request.

Type	OEM manufacturer	Overall height	Imposed load	D-value	Weight	A	B	Type approval	Order no.
	hole pattern	mm	t	kN	kg	mm	mm	EG	
MP 526 *	MB	12	20	152,0	40,0	650	960	e11-00-0953	662 101 526
MP 532	IVECO	12	22	162,4	63,0	715	960	e11-00-0379	662 101 532
MP 544 *	IVECO	12	20	152,0	63,0	715	960	e11-00-0953	662 101 544
MP 525 *	MAN	12	20	152,0	40,0	650	960	e11-00-0953	662 101 525
MP 464	MAN	12	22	162,4	64,0	710	960	e11-00-0379	662 101 464
MP 527 *	SCANIA	12	20	152,0	40,0	650	960	e11-00-0953	662 101 527
MP 531	SCANIA	12	22	162,4	64,0	710	960	e11-00-0379	662 101 531
MP 512	DAF	22	22	152,0	40,0	700	960	e11-00-0952	662 101 512
MP 574	MAN	22	22	162,4	41,0	665	960	e11-00-0380	662 101 574
MP 542	SCANIA	22	22	162,4	41,0	665	960	e11-00-0380	662 101 542
MP 511	DAF	40	20	152,0	40,0	700	960	e11-00-0951	662 101 511
MP 543	SCANIA	40	22	162,4	45,0	665	960	e11-00-0378	662 101 543

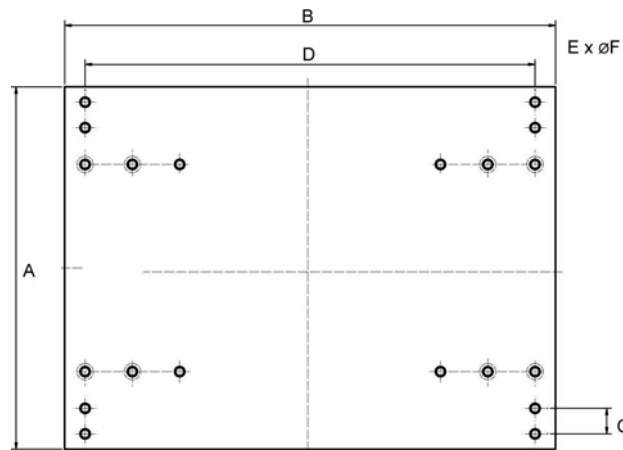
*) for SK-S 36.20 / overall height 128 mm (with cutout)

Technical data and fastener sets

Mounting hole pattern according to DIN 74084 / ISO 3842

Type	Mounting kit	Mounting kit	A	B	C	D	E	F
	MP-VC	FW-MP	mm	mm	mm	mm		mm
MP 526 *	662 101 550	662 101 555	650	960	50	860	8	21
MP 532	IVECO	662 101 555	715	960	45	860	12	19
MP 544 *	IVECO	662 101 555	715	960	45	860	12	19
MP 525 *	662 101 552	662 101 555	650	960	50,75	880	8	18
MP 464			710	960	50,75	880	8	18
MP 527 *		662 101 555	650	960	50	880	8	19
MP 531		662 101 555	710	960	50	880	8	19
MP 512	662 101 551	662 101 353 / 442	700	960	50	880	12	18
MP 574	663 101 552	662 101 353 / 442	665	960	50,75	880	8	18
MP 542		662 101 353 / 442	665	960	50	880	8	20
MP 511	662 101 551	662 101 498	700	960	50	880	12	18
MP 459	662 101 552	662 101 498	665	960	50,75	880	8	18
MP 543		662 101 498	665	960	50	880	8	20

*) for SK-S 36.20 / overall height 128 mm (with cutout)



Mounting kits

Please find the corresponding Mounting kit for your Fifth Wheel and Mounting Plate in the reference table in the chapter for Mounting Plates.

Type	Mounting	Overall height mm	Order no.
Mounting kit 353	FW + MP, type 8.8	22 - ...	662 101 353
Mounting kit 442	FW + MP, type 10.9	22 - ...	662 101 442
Mounting kit 498	FW + MP,	24 - 150	662 101 498
Mounting kit 514	FW + MP, MP 16mm or MP 12mm produced before 2005	12 - 16	662 101 514
Mounting kit 551	FW + MP	24 - ...	662 101 551
Mounting kit 553	FW + MP, suitable for MP 301, MP 302	16	662 101 553
Mounting kit 555	FW + MP	12	662 101 555
Mounting kit 550	MP + VC (ACTROS)	22 - 150	662 101 550
Mounting kit 552	MP + VC	12 - 40	662 101 552
Mounting kit 557	MP + VC, suitable for MP 302 (M20)	16	662 101 557
Mounting kit 346	FW + MP + VC, consists of 498 + 550	22 - 150	662 101 346
Mounting kit 354	FW + MP + VC	50	662 101 354
Mounting kit 452	FW + MP + VC	12	662 101 452
Mounting kit 556	FW + MP + VC, consists of 514 + 557 (MP 302)	16	662 101 556

FW = fifth wheel, MP = mounting plate, VC = vehicle chassis

Mounting

Mounting of the fifth wheel on the mounting plate

For mounting of fifth wheels in accordance with DIN 74081 at least 8 high-tensile bolts are to be used, for fifth wheels according to DIN 74084 at least 12 high-tensile bolts, M16 or M16 x 1.5, of at least grade 8.8, in symmetrical order to the longitudinal and lateral axes of the fifth wheel.

Tighten M16 x 1.5 bolts, of at least grade 8.8, with a torque of 190 Nm.

Tighten M20 x 1.5 bolts, of at least grade 8.8, with a torque of 350 Nm.

Mounting the MP on the vehicle

The mounting plates are to be installed on the vehicle as described in the instructions of the vehicle manufacturer. We recommend using the following if no vehicle manufacturer guidelines exist:

For 2" fifth wheels in accordance with DIN 74081 at least 4 high-tensile bolts, M16 x 1.5, of at least grade 8.8, or 4 high-tensile bolts, M20 x 1.5, of at least grade 8.8, per side.

For 3½" fifth wheels in accordance with DIN 74084 at least 6 high-tensile bolts, M16 x 1.5, of at least grade 8.8, or 4 high-tensile bolts, M20 x 1.5, of at least grade 8.8, per side.

The mounting brackets and the mounting plate can be supplemented with welded stop plates.

Notes

Sliders

Mobility

People are increasingly mobile, and they have ever greater demands for comfort and safety in their vehicles. With its highly stressable cast parts made of light metal and iron, GF Automotive makes it possible to build commercial vehicles that are both light-weight and safe.

Slider SK-V 20

Sliders allow optimal utilisation of permissible axle loads and vehicle lengths.

They enable the coupling point of tractors to be changed quickly and easily. The fifth wheel can be secured in 14 different longitudinal positions, allowing the coupling of semi-trailers with different kingpin positions.

Base plates with teeth and slotted rails are mounted directly to the supporting frame of the tractor. The carriage with the locking mechanism is designed for the mounting of fifth wheels with an overall height of 150-250 mm.



Technical data

- Simple - direct mounting
- High rigidity - lightweight
- Overall height of only 35 mm
- 14 selectable coupling points, total slider travel of 525 mm
- Available in 2 different widths
- Single-handed operation, optional pneumatic version available
- KTL anti-corrosion coating
- Self-cleaning - resistance to dirt
- Approved for forced steering
- Mounting hole pattern according to DIN 74081, DIN 74084 and ISO/ FDIS 3842

Ordering instructions

- 4 standard versions without predrilled mounting holes
- Models available drilled to specific vehicle type on request

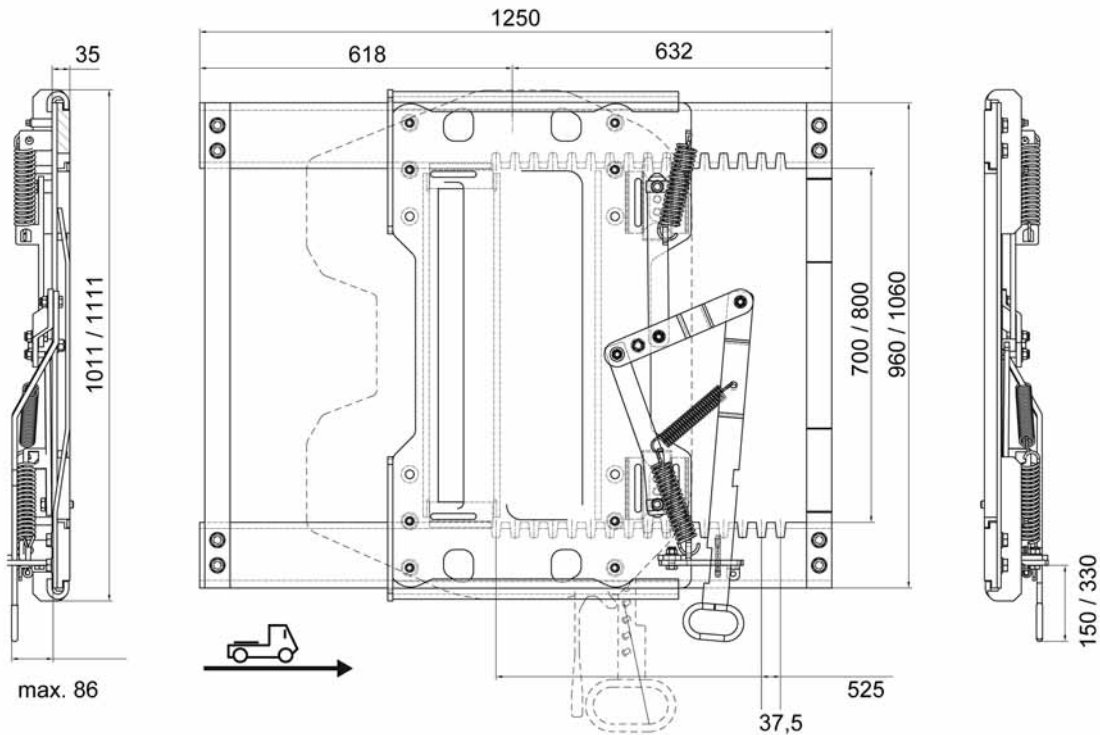
Slider SK-V 20 standard (without predrilled mounting holes)

Type	Model	Imposed load	D-value	Weight	Mounting width	Dimensions	Order no.
		t	kN	kg	mm	mm	
SK-V 20	Standard	18	135	110	780-900	1250 x 960	662 204 500

Sliders SK-V 20 (with predrilled OEM hole patterns)

Type	Model	Imposed load	D-value	Weight	Mounting width	Dimensions	Order no.
		t	kN	kg	mm	mm	
SK-V 20	IVECO	18	135	110	780-900	1250 x 960	662 204 501
SK-V 20	Mercedes-Benz	18	135	110	780-900	1250 x 960	662 204 503
SK-V 20	SCANIA / DAF	18	135	110	780-900	1250 x 960	662 204 507
SK-V 20	MAN	18	135	110	780-900	1250 x 960	662 204 509
SK-V 20	RENAULT	18	135	110	780-900	1250 x 960	662 204 511
SK-V 20	SCANIA 6x2	18	135	110	780-900	1250 x 960	662 204 515
SK-V 20	MAN 6x2	18	135	110	780-900	1250 x 960	662 204 517
SK-V 20	VOLVO	18	135	129	930	1250 x 1060	662 204 519
SK-V 20	VOLVO (Standard)	18	135	129	930	1250 x 1060	662 204 520

Dimensions



Fitting instructions

Georg Fischer sliders are type-approved to 94/20/EG. Modifications preclude warranty claims and lead to invalidation of the type approval.

Please take note of the following points when installing sliders:

The slider may only be mounted on the vehicle by qualified personnel in suitable workshops.

The base rail must be rigidly attached to the frame of the tractor according to the vehicle manufacturer's instructions and taking into account the forces occurring during operation.

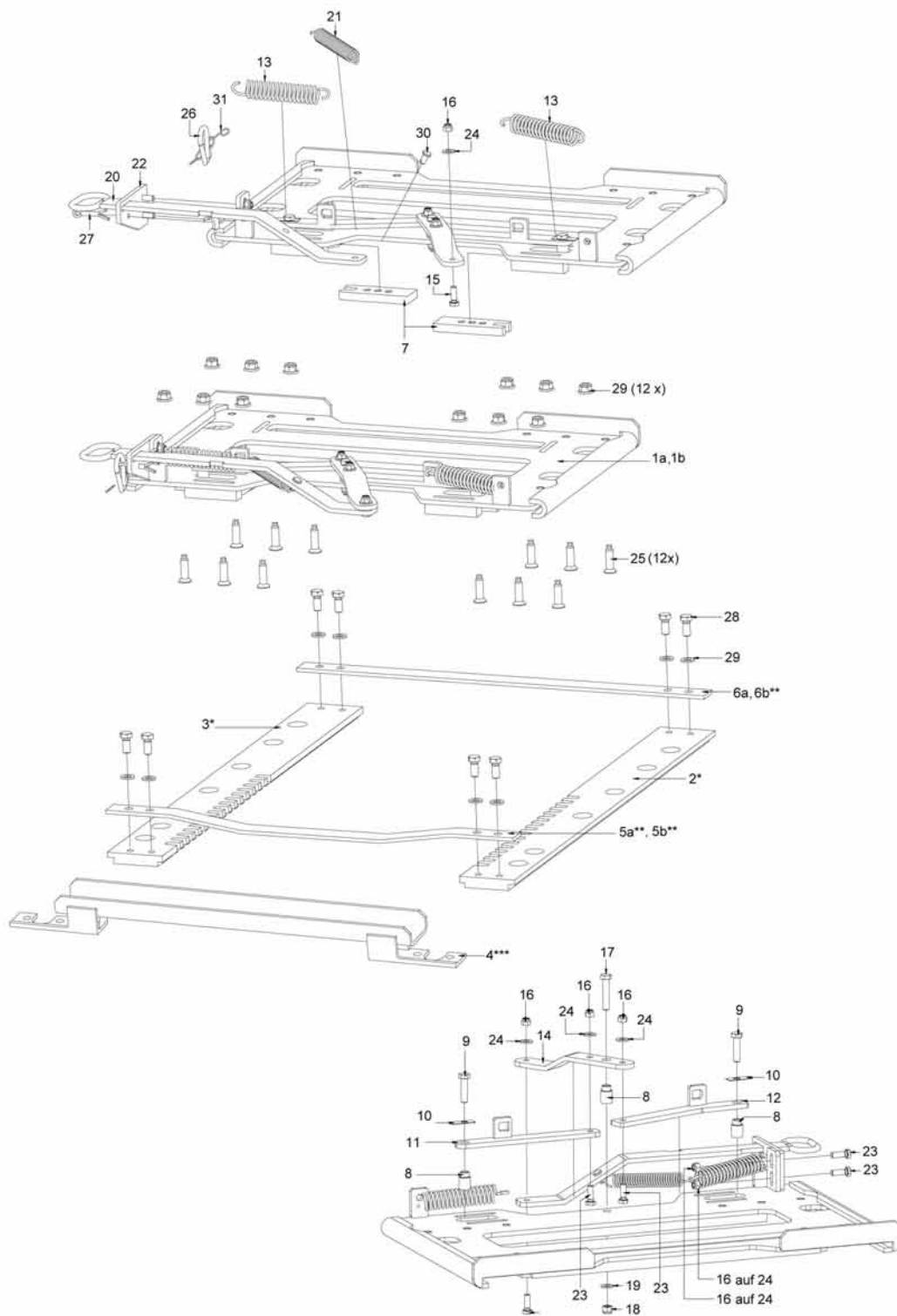
The quantity and grade of the fasteners must adhere to the slider model and vehicle manufacturers look up table below. Incomplete attachment of the slider to the frame (e.g. leaving a fastener out) is not allowed. Rivets of equivalent size and quality can also be used for fastening.

The fastening elements must not obstruct the freedom of movement of the carriage.

Mounting kits for slider SK-V 20

Type	Mounting	Model	Order no.
SK-S 36.20 on SK-V20	Fifth wheel on slider		662 101 740
Mounting kit 725	Mercedes-Benz (Actros)	12 x M20	662 101 725
Mounting kit 726	IVECO (Stralis), MAN (TGA)	12 x M16	662 101 726
Mounting kit 727	RENAULT (Magnum, Premium)	12 x M16	662 101 727
Mounting kit 728	VOLVO (FH12)	16 x M14	662 101 728
Mounting kit 729	SCANIA (CA, LA, DA) / DAF	12 x M18	662 101 729
Mounting kit 725	Australia, New Zealand	12 x M20	662 101 725

Spare parts SK-V 20

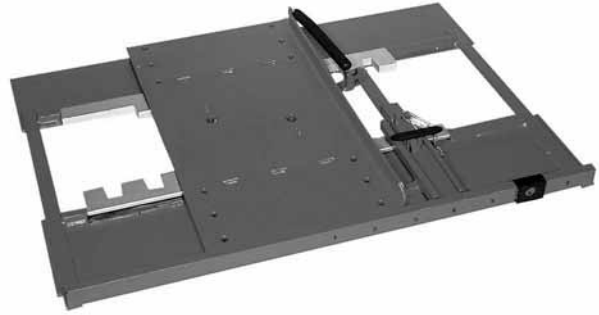


Item	Component (price per piece)	Spec.	Pcs.	Order no.
	Repair kit for locking mechanism (8,9,10,11,14,22,31)		1	662 101 731
1a	Carriage complete (mounting width 780 - 900)		1	662 132 100
1b	Carriage complete (mounting width 900 +)		1	662 132 102
2*	Slotted base rail left (without predrilled holes)		1	662 205 014
2*	Slotted base rail left	Iveco	1	662 205 016
2*	Slotted base rail left	Daimler Chrysler	1	662 205 018
2*	Slotted base rail left	Scania / DAF	1	662 205 022
2*	Slotted base rail left	MAN	1	662 205 024
2*	Slotted base rail left	Renault	1	662 205 026
2*	Slotted base rail left	Volvo	1	662 205 030
2*	Slotted base rail left	Volvo (standard)	1	662 205 033
2*	Slotted base rail left	Australia / NZ	1	662 206 050
3*	Slotted base rail right (without predrilled holes)		1	662 205 015
3*	Slotted base rail right	Iveco	1	662 205 017
3*	Slotted base rail right	Daimler Chrysler	1	662 205 019
3*	Slotted base rail right	Scania / DAF	1	662 205 023
3*	Slotted base rail right	MAN	1	662 205 025
3*	Slotted base rail right	Renault	1	662 205 027
3*	Slotted base rail right	Volvo	1	662 205 031
3*	Slotted base rail right	Volvo (standard)	1	662 205 034
3*	Slotted base rail right	Australia / NZ	1	662 206 051
4***	Cross bar	Scania 6x2	1	662 205 090
4***	Cross bar	MAN 6x2	1	662 205 091
4***	Cross bar	Volvo	2	662 205 092
5a**	Stop bar front (mounting width 780 - 900)		1	662 205 032
5b**	Stop bar front (mounting width 900 +)		1	662 205 033
6a	Stop bar back (mounting width 780 - 900)		1	662 205 012
6b**	Stop bar back (mounting width 900 +)		1	662 205 013
7	Locking finger		2	662 205 035
8	Bush		3	662 205 036
9	Hex. bolt		2	659 112 628
10	Safety plate		2	662 205 038
11	Locking lever left		1	662 205 039
12	Locking lever right		1	662 205 040
13	Tension spring		2	662 205 041
14	Pivot arm		1	662 205 042
15	Hex. bolt		1	659 112 632
16	Nut		5	662 132 215
17	Hex. bolt		1	659 112 629
18	Nut		1	659 115 514
19	Washer		1	662 101 472
20	Locking lever		1	662 205 048
21	Tension spring		1	662 205 049
22	Guide plate		1	662 205 050
23	Hex. bolt		4	659 112 630
24	Washer		5	662 132 204
25	Counter sink screw		12	662 205 054
26	Carabiner hook		1	659 130 026
27	Split-Pin		1	662 126 184
28	Hex. bolt		8	659 112 631
29	Washer		8	662 126 159
30	Pin		1	650 110 217
31	Chain for carabiner hook		1	659 130 027

Slider SK-V 22

Sliders allow optimal utilisation of permissible axle loads.

The slider enables the coupling point of tractors to be changed quickly and easily. The fifth wheels can be secured in 7 different longitudinal positions, enabling you to couple semi-trailers with different kingpin positions.



Base plates with teeth and slotted rails as well as a mechanism for pre-selecting the slider position are attached rigidly to the frame of the tractor. The carriage with the control and stopping mechanism is designed for mounting fifth wheels of all common makes with an overall height of 150-250 mm.

- simple to mount
- one-person / single-handed operation
- pre-selectable coupling point
- automatic locking, free of play, self-adjusting
- 7 slider positions, total slider travel 630 mm
- low overall height, only 45 mm
- 2 designs for frame widths of up to 970 mm
- approved for semi-trailer steering systems

Technical data on slider

- Approved for forced steering
- EU type approval: e11-00-0386, G: M4618, NL: RDW 21110021
- Mounting hole pattern according to DIN 74081, 74084 and ISO 3842

Type	Imposed load	D-value	Weight	Frame width	Width of slider	Order no.
	t	kN	kg	mm	mm	
SK-V 22	22	162,4	165	680 - max. 880	1005 ± 5	662 204 007
SK-V 22	22	162,4	173	680 - max. 970	1095 ± 5	662 204 008

We recommend our using mounting kits for sliders, intermediate plates and fifth wheels, order no. 662 101 393

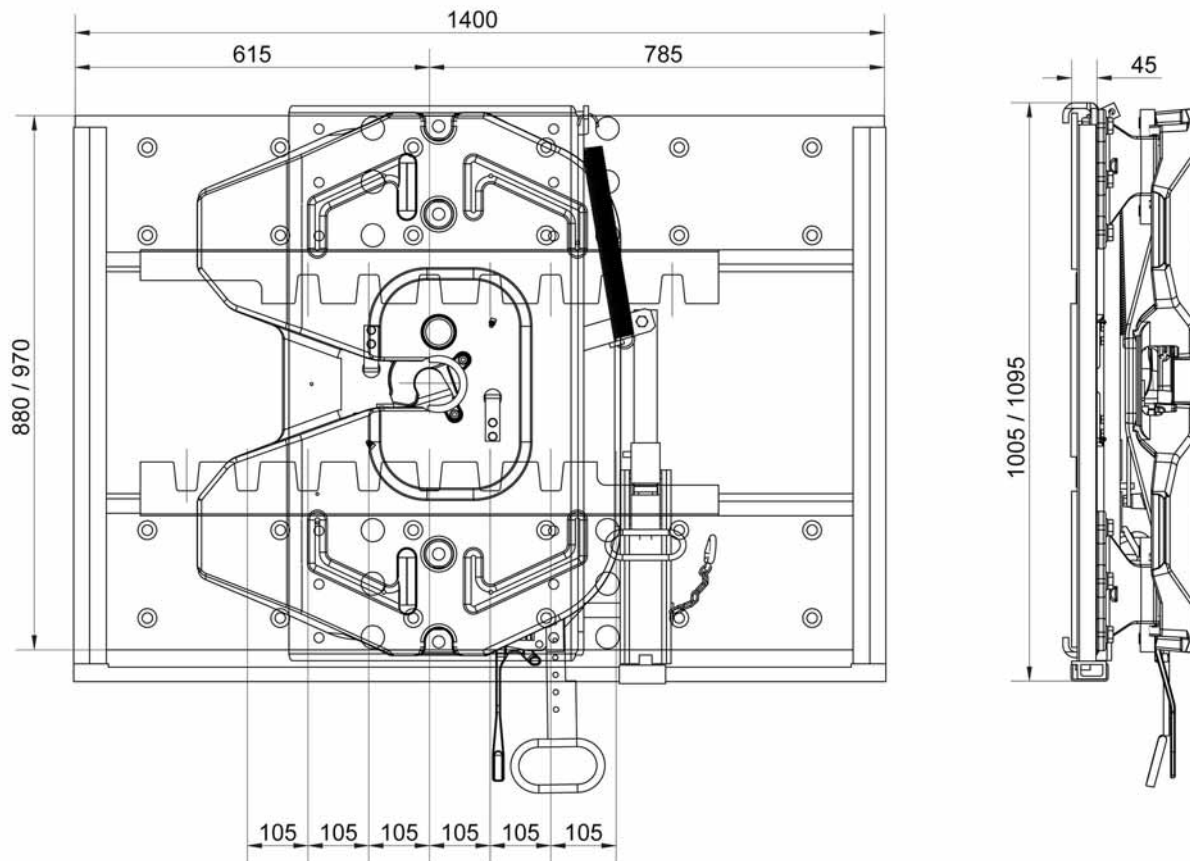
Specifications regarding load capacity are applicable for operation on sealed roads and transport conditions common to central Europe. Please consult us if operating conditions differ.

Technical data on intermediate plates

- EU type approval: e11-00-0386, G: M 4617

Type	Dimensions	Weight	Compatible	Order no.
	mm	kg	with	
ZP 188	880±2 x 1370 x 22	69	SK-V22 662 204 007	662 204 188
ZP 187	970±2 x 1370 x 22	76	SK-V22 662 204 008	662 204 187

Dimensions



Fitting instructions

Georg Fischer sliders are type-approved. Modifications preclude warranty claims and lead to invalidation of the type approval.

Please take note of the following points when installing sliders:

The slider may only be mounted on the vehicle by qualified personnel or in suitable workshops. The base plate must be rigidly attached to the frame of the tractor according to the vehicle manufacturer's instructions and taking into account the forces occurring during operation.

The slider is fastened to the vehicle frame via the countersunk holes in the base plate. 12 M16 bolts of grade 8.8 must be used on each side.

Rivets of equivalent size and quality can also be used for fastening.

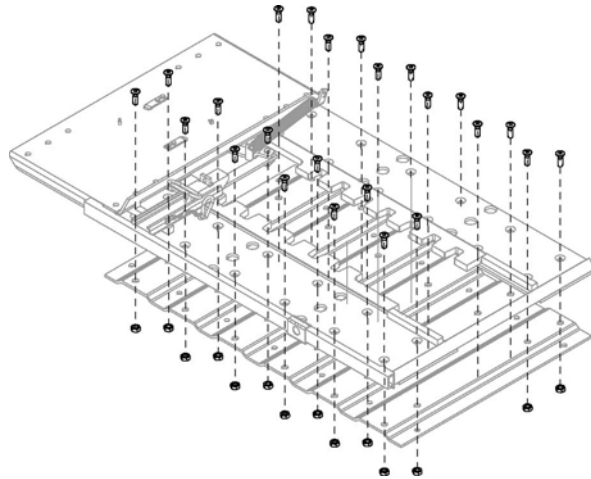
The fastening elements must not obstruct the freedom of movement of the carriage. The permissible vertical loads on the tractor for the different positions must be entered clearly and indelibly in the areas provided on the nameplate.

Mounting kits

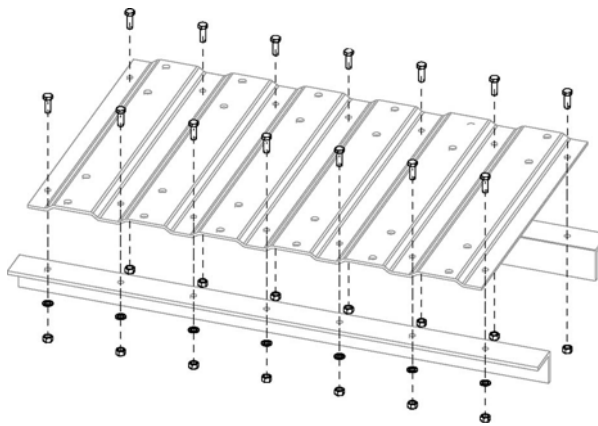
Type	Mounting	Order no.
Mounting set 701	Slider on intermediate plate	662 101 701
Mounting set 702	Intermediate plate on vehicle frame	662 101 702
Mounting set 703	Fifth wheel SK-S 36.20 on slider	662 101 703
Mounting set 393	Set for SK-S 36.20 consists of 701 + 702 + 703	662 101 393
Mounting set 551	Fifth wheel SK-HD 38.36 on slider	662 101 551

- Tightening torque for slider / intermediate plate fastening screws: 215 Nm
- All other fastening screws: 190 Nm

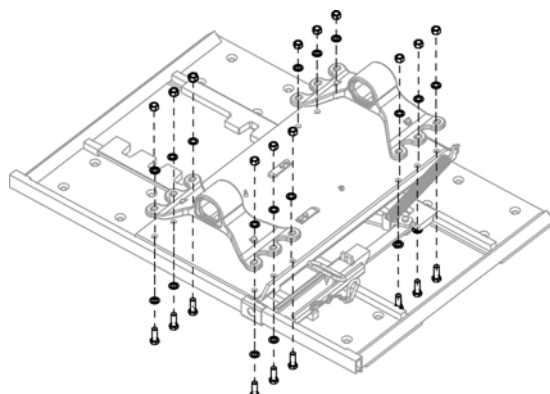
Mounting set for slider on intermediate plate



Mounting set for intermediate plate on vehicle frame



Mounting set for fifth wheel on slider



Accessories

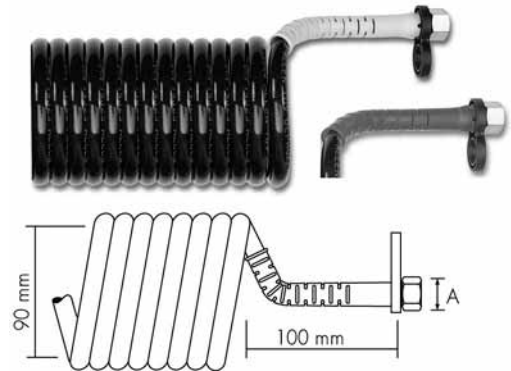
Mobility

People are increasingly mobile, and they have ever greater demands for comfort and safety in their vehicles. With its highly stressable cast parts made of light metal and iron, GF Automotive makes it possible to build commercial vehicles that are both light-weight and safe.

Airflex (new range)

All Georg Fischer compressed air coils with colour-coded antikink protection made of plastic are TÜV approved to conform to the high safety parameters of DIN 74323, the recognized standard for compressed air coils.

- Antikinking protection with colour-coding
- M18 (inner thread) connector for insertion with 'rotating nut' to reach the thread adaptor
- Standardly equipped with holder sling
- Nylon coils wound 20 times
- Permissible working length 4000 mm
- Tested with 10,000 bends (ISO 7375)
- Operating temperature range -40 to +70°C
- Permissible operating pressure 10 bar

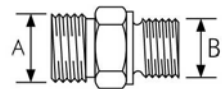


Airflex - compressed air coils

Type	Coils	Working length	Colour	Plug	A	Order no.
		mm			mm	
Airflex	20	4000	red	female thread	M18 x 1,5	662 023 701
Airflex	20	4000	yellow	female thread	M18 x 1,5	662 023 702

Adaptor

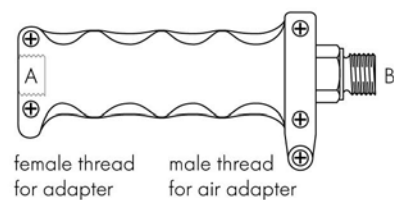
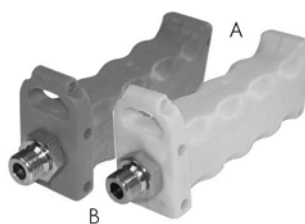
- Connecting adaptor for all conventional vehicle types and manufacturers
- Thread end pieces with male thread



Type	A	B	Thread	Order no.
	mm	mm		
Thread end piece	M18 x 1.5	M16 x 1.5		662 023 703
Thread end piece	M18 x 1.5	M16 x 1.5	34 mm long thread	662 023 704
Thread end piece	M18 x 1.5	M18 x 1.5	34 mm long thread	662 023 705
Thread end piece	M18 x 1.5	M22 x 1.5		662 023 706

Airflex - handles

- Made of hard-wearing material
- Facilitates Airflex connection
- Ergonomically shaped handle
- Additional protection for Airflex connection ends
- Quick and easy mounting
- Adaptor for Airflex required
- Colour coding red and yellow
- Only available as set (1x red and 1x yellow)



Type	Colour	A	B	Order no.
		mm	mm	
Handle set	1x red, 1x yellow	M16 x 1.5	M16 x 1.5	662 023 707

Lectroflex (new range)

- Polyurethane coating, extremely hard-wear with excellent resistance to chemicals
- Material resistant to heat and light
- Black outer sleeve
- N type: normal supply
- S type: additional supply

7 core, ISO 1185/3731



15 core, ISO 12098



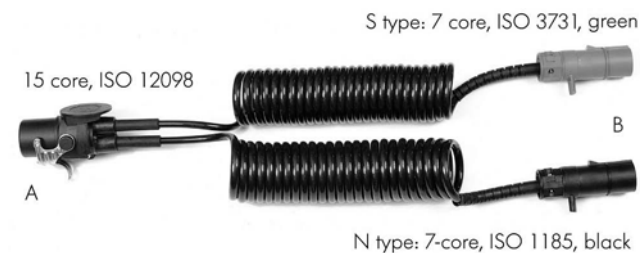
7 core, ISO 1724



Type	Working length mm	Colour	Plug A	Plug B	Order no.
Lectroflex N	3000	black	2x 24V, ISO 1185, 7-pole		662 024 529
Lectroflex S	3000	black	2x 24V, ISO 3731, 7-pole		662 024 530
Lectroflex	3500	black	2x 24V, ISO 12098, 15-pole		662 024 531
Lectroflex	3500	black	2x 12V, ISO 1724		662 024 504
Lectroflex	3500	black	1x 12V, ISO 1725	1x 24V, ISO 1185	662 024 506

Adaptor

- Black outer sleeve
- Colour-coded ISO connector
- 1x 24V plug, 15-pole, ISO 12098
- N type: 24V, 7-pole, ISO 1185, black
- S type: 24V, 7-pole, ISO 3731, green



Type	Working length mm	Colour	Plug A	Plug B	Order no.
Adaptor	3500	black	1x 24V, 15-pole	2x 24V, 7-pole	662 024 532

EBS - cable

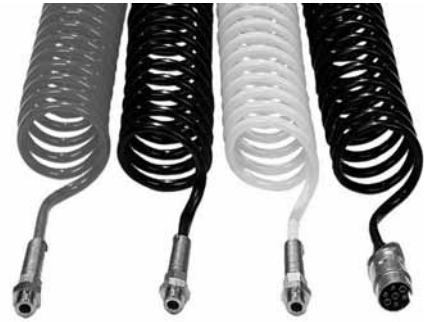
- 7-pole EBS coil
- Exceptional shape retaining properties
- Conforms to ADR regulations
- Material resistant to heat and light
- Black outer sleeve
- Sprayed-on antikinking protection
- ISO plug connector
- ISO 4091, ISO 6722, ISO 7638



Type	Working length mm	Colour	Plug A	Order no.
ABS/EBS cable	3500	black	2x 24V, 7-pole	662 024 533

Airtubes (phased-out range)

Georg Fischer Airtubes made of high-grade polyamide meet all international standards. High elasticity and resistance to fracture guarantee safe operating conditions and long service life. Our Airtubes are resistant to oils, grease and most chemical substances. The high amount of stretch allows a long working length in a compact space. Effective protection of the line ends by means of antikinking springs.



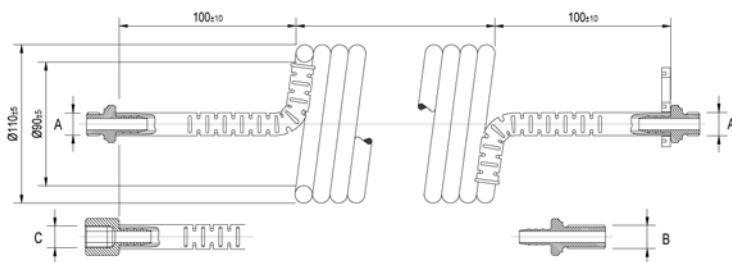
Technical data

- Operating temperature: -40°C to +70°C
- Operating pressure: 10 bar
- Tube coil: PA 12 PHL

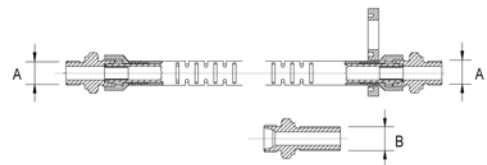
Recommended colour coding

Red: supply line, Yellow: control line, Black: universal

Type 1 Push-in (1-part)



Type 2 Eurocoil (3-part)



Type 1

Coils	Working length	Colour	Connection	Order no.
	mm			
16	3000	Red	A-A M22 x 1.5	662 023 506
16	3000	Yellow	A-A M22 x 1.5	662 023 507
16	3000	Black	A-A M22 x 1.5	662 023 509
16	3000	Black	A-C M16 x 1.5	662 023 599
18	3500	Red	A-C M16 x 1.5	662 023 541
18	3500	Yellow	A-A M22 x 1.5	662 023 582
18	3500	Black	A-A M22 x 1.5	662 023 584
20	4000	Black	B-B M16-18 x 1.5	662 023 649
20	4000	Black	A-B M16-18 x 1.5	662 023 654

A = male thread, short; B = male thread, long; C = female thread
Tolerance of coils ±1.5 mm

Type 2

Coils	Working length	Colour	Connection	Order no.
	mm			
16	3000	Red	A-A M22 x 1.5	662 023 626
16	3000	Yellow	A-A M22 x 1.5	662 023 627
16	3000	Black	A-A M22 x 1.5	662 023 629
18	3500	Red	A-A M22 x 1.5	662 023 501
18	3500	Yellow	A-A M22 x 1.5	662 023 502
18	3500	Red	A-A M16 x 1.5	662 023 656
18	3500	Yellow	A-A M16 x 1.5	662 023 657
18	3500	Black	A-A M22 x 1.5	662 023 659
24	9500	Black	A-A M22 x 1.5	662 023 634

A = male thread, short; B = male thread, long; C = female thread
Tolerance of coils ±1.5 mm

Lectrotubes (phased-out range)

Georg Fischer Lectrotubes, with thick-walled coatings made of high-grade polyamide or neoprene, conform to all international standards and regulations for electrical connections on vehicles. High elasticity and fracture resistance guarantee safe operating conditions and long service life. The high amount of stretch allows a long working length in a compact space.

Type 1

A = plug DIN ISO 1724 / 12V (DIN 72577)

B = plug DIN ISO 1185 / 24V (DIN 72579 SAE)

C = plug 24V DIN ISO 3731

Coils	Working length	Plug	Order no.
	mm		
16±1.0	3000	without	662 024 500
16±1.0	3000	A-A ISO 1724	662 024 501
16±1.0	3000	B-B ISO 1185	662 024 502
16±1.0	3000	C-C ISO 3731	662 024 526
18±1.5	3500	without	662 024 503
18±1.5	3500	B-B ISO 1185	662 024 505
18±1.5	3500	B-B ISO 1185	662 024 515
32±1.5	6000	without	662 024 523

- Cable configuration: 2, 3, 4, 5, 6, 7 = 1 mm², 1 = 1.5 mm²
- Cable insulation: PVC
- Cable colour: as per DIN ISO 4141
- Coating: polyamide

Type 2

Coils	Working length	Plug	Order no.
	mm		
18±1.5	3500	without	662 024 507

- Cable configuration: E-Cu wire 1 = 2.5 mm² (50/0.26 mm), 2-9 = 1.5 mm² (30/0.26 mm)
- Cable insulation: PVC
- Cable colour: 1-black, 2-blue, 3-yellow,
- 4-yellow/red, 5-white, 6-red, 7-green,
- 8-yellow/blue, 9-yellow/black
- Coating: polyamide
- Coating colour: black

Type 3

Coils	Working length	Plug	Order no.
	mm		
18±1.5	3500	without	662 024 508

- Cable configuration: 12 x 1.5 mm²,
- 1 x 2.5 mm²
- Cable insulation: PVC
- Cable colour: as per DIN 72551-7
- Coating: Hytrel
- Coating colour: black

Type 4

Coils	Working length	Plug	Order no.
	mm		
59±4	4500	without	662 024 509
59±4	4500	A-A ISO 1724	662 024 510
59±4	4500	B-B ISO 1185	662 024 511

- Article 662024509 - 512 same as 662024509, but with plug, see type 1
- Cable configuration: 6 x 1 mm², 1 x 1.5 mm²
- Cable insulation: PVC
- Cable colour: as per DIN ISO 4141
- Coating: Flexilec

Anti-theft lock

- protects your cargo!

- Kingpin bolts completely covered
- Surface prevents tampering or forced breakage
- Extra sturdy and impact resistant spheroidal graphite cast iron housing
- Easy and quick to install - just attach and lock
- Suitable for all construction types of 2" and 3½" kingpins



Special tamper-proof cylinder safety lock incl. 2 keys. Special locking combinations e.g. series of identical locks or with master lock for multiple use in big fleets.

2" anti-theft lock

Type	Weight	Overall height	Diameter	Order no.
	kg	mm	mm	
Standard 2" anti-theft lock assembly	5.4	92	260	662 102 031
2" anti-theft lock complete with master key	5.4	92	260	662 102 033
2" anti-theft lock assembly, identical locks	5.4	92	260	662 102 034
Extra key				662 102 038

3½" anti-theft lock

Type	Weight	Overall height	Diameter	Order no.
	kg	mm	mm	
Standard 3½" anti-theft lock assembly	5.9	86	260	662 102 041
3½" anti-theft lock complete with master key	5.9	86	260	662 102 043
3½" anti-theft lock assembly, identical locks	5.9	86	260	662 102 044
Extra key				662 102 038



Steering wedge for semi-trailers with forced steering

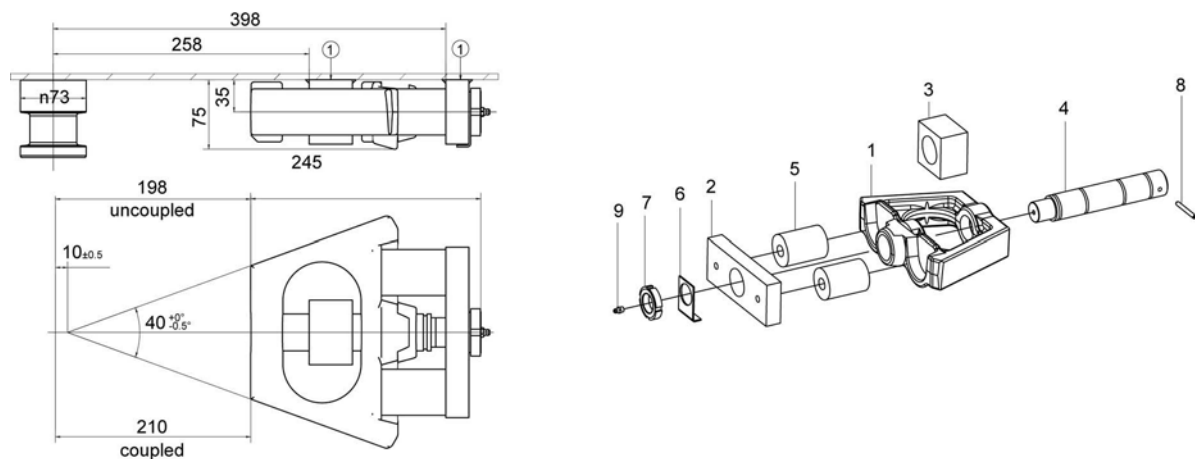
- Rugged body made of spheroidal graphite cast iron guarantees a long life even under the toughest operating conditions.
- The integrated rubber spring suspension, spring extension 18mm, prevents jamming during driving.
- The steering wedge does not require any special maintenance and the integrated lubrication system makes servicing easy.



Technical data

Type	Spec.	Type approval	Weight kg	Order no.
steering wedge assembly	spring suspension	DIN 74085	12,2	662 101 280

Dimensions



Spare parts for steering wedge

Item	Type	Pcs.	Order no.
1	wedge	1	662 101 282
2	bearing, rear	1	662 101 279
3	bearing, front	1	662 101 278
4	wedge guide shaft	1	662 101 281
5	rubber spring	2	662 101 310
6	Locking plate	1	662 101 374
7	groove nut	1	659 115 126
8	rollpin	1	659 100 022
9	Grease nipple	1	662 126 224

Assembly instructions

Fastening is carried out by a continuous weld seam (seam thickness 5mm) of the bearing (1) on the trailer plate. We recommend the welding processes E II or MAG C. Only high-quality filler materials may be used.

Important: Please strictly observe the specified assembly dimensions! These dimensions produce a theoretical initial tension of 12mm. The total spring extension is 18mm.

Hubodometer

Mileage indicator for trailers

Georg Fischer precision hubodometers are available for all conventional tyre sizes from 15" to 22.5".

- No transmission
- Sturdy
- Maintenance-free
- Temperature resistant
- Simple assembly
- Compact
- Reliable operation



When placing your order, it is important that you indicate tyre size or rolling circumference.

Technical data

Type	Rolling circumference	Order no.
	mm	
Hubodometer	2355 (2325 - 2400)	662 025 014
Hubodometer	2500 (2450 - 2550)	662 025 005
Hubodometer	2551 (2500 - 2600)	662 025 013
Hubodometer	2727 (2675 - 2775)	662 025 012
Hubodometer	2783 (2750 - 2825)	662 025 011
Hubodometer	2915 (2875 - 2975)	662 025 010
Hubodometer	3061 (3000 - 3125)	662 025 009
Hubodometer	3333 (3275 - 3400)	662 025 000
Hubodometer	3401 (3350 - 3450)	662 025 002
Hubodometer	3458 (3100 - 3200)	662 025 003

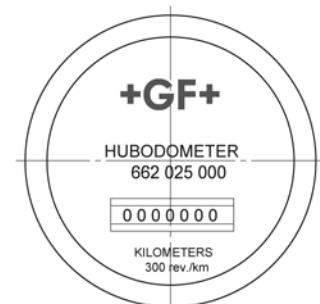
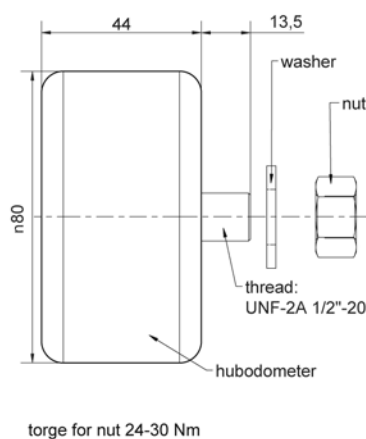
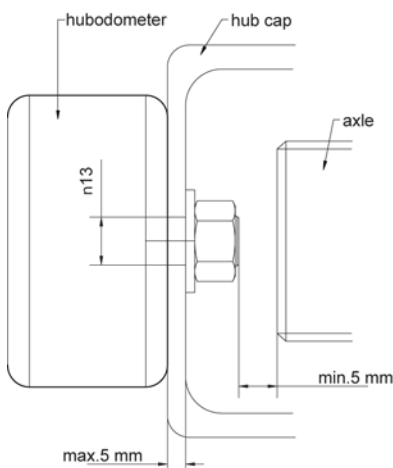
Fitting instructions

For direct assembly on the hub cap:

The outside surface of the hub cap (contact area of the hubodometer) must be absolutely level. If necessary, turn or grind the surface until level. Drill a hole concentrically with a diameter of 1/2" and, if necessary, mill the inner side of the hub cap for the type of lock washer.

Important:

Maintain a safety margin of at least 5mm between screw neck and axle arm. Other types of assembly are possible, e.g. at the flat steel hoop outside of the hub cap (customer supplied), however, ensure that the hubodometer is always arranged concentrically to the axle.



Grease cartridge for SK-S 36.20 W

- Automatic single-point long-term dispenser for grease and oil
- No manual lubrication of lock mechanism required
- TÜV approved



Technical data

- Capacity: 125 ml
- Operating system: Hydrogen gas formation cell
- Operating pressure max. 3 bar
- Setting: continuous 1-12 months
- Average period of use approx. 6 months
- Operating temperature: -20°C ... +55°C ambient temperature
- Recommended storage temperature of 20°C ±5°C

Type	Dimensions	Weight	Connection	Order no.
	mm	kg		
Grease cartridge 125 ml	100 x Ø 52	0,190	R 1/4"	662 131 150
Adaptor			R 1/4" - M8 x 1	662 131 151

Instructions

For higher or lower ambient temperatures or varying lubrication requirements, the grease quantity can be continuously adapted on a daily basis. We recommend an initial setting of level 6.

- Application: The dispenser can be mounted in all conditions.
- Important: do not expose directly to heat
- Use within 2 years of date of filling

The dispensed grease quantity per day is affected by the following:

- ambient temperature
- resistance / back pressure in lines
- viscosity of grease

The simalube can be adjusted or shut off during the period of dispensing. The settings on the adjusting washer refer to standard conditions. It is recommended to check the function of the dispenser (piston movement, targeting unit) at regular intervals.

The trouble-free functioning of the lubricant dispensing system is only guaranteed with use of the recommended lubricant, the simalube accessory program and observance of the mounting, operating and maintenance regulations. Failure to observe these instructions excludes the manufacturer from liability for any resulting damages.

Safety instructions

If the dispenser is put into operation without removing the vent plug, or if the grease channels of the installation are blocked, the pressure in the dispenser can rise to up to 5 bar. When an overpressure of 5 bar is reached, the dispenser bursts at the designated breakage point between housing and funnel. The pressure behind the piston is released and grease or oil can leak out from the designated breakage point.

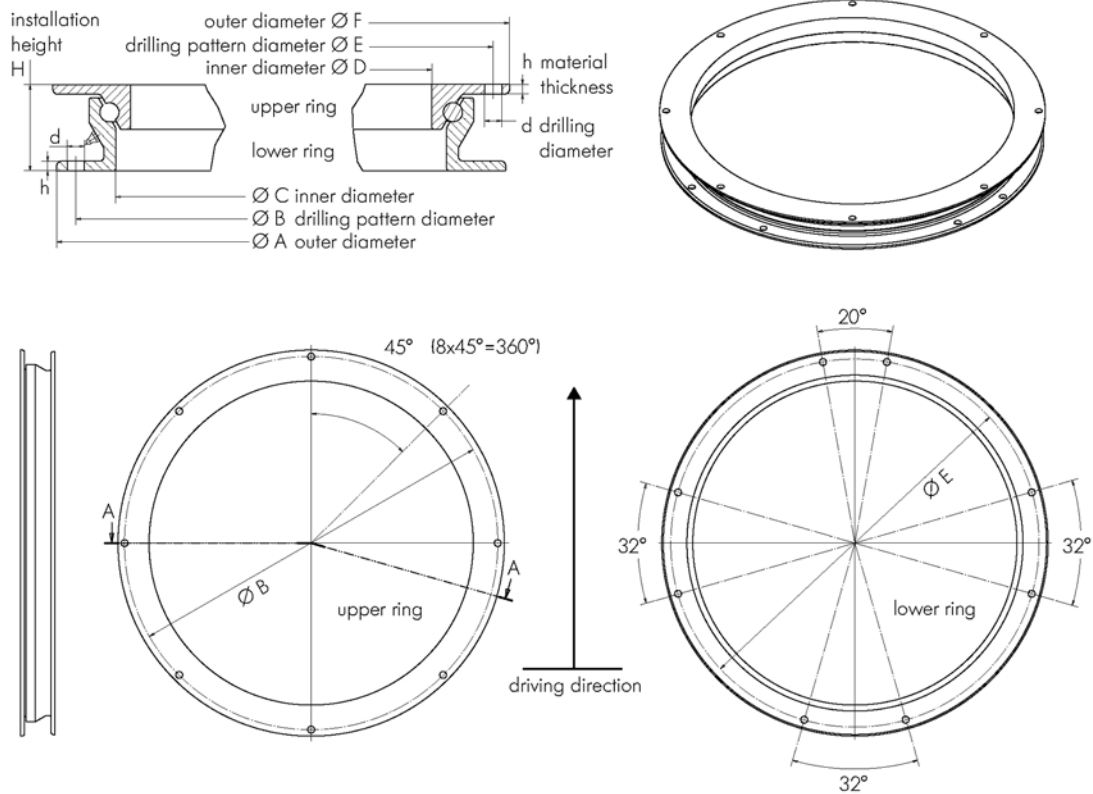
Ball Races for drawbar trailers

Georg Fischer ball races are components for fitting onto trailers and agricultural vehicles and for use on roads.

Please follow the specific trailer manufacturer instructions for the operation of the particular vehicle. Compliance with the corresponding national legislation safety standards is required.



Single Row Ball Races STANDARD MAINTENANCE

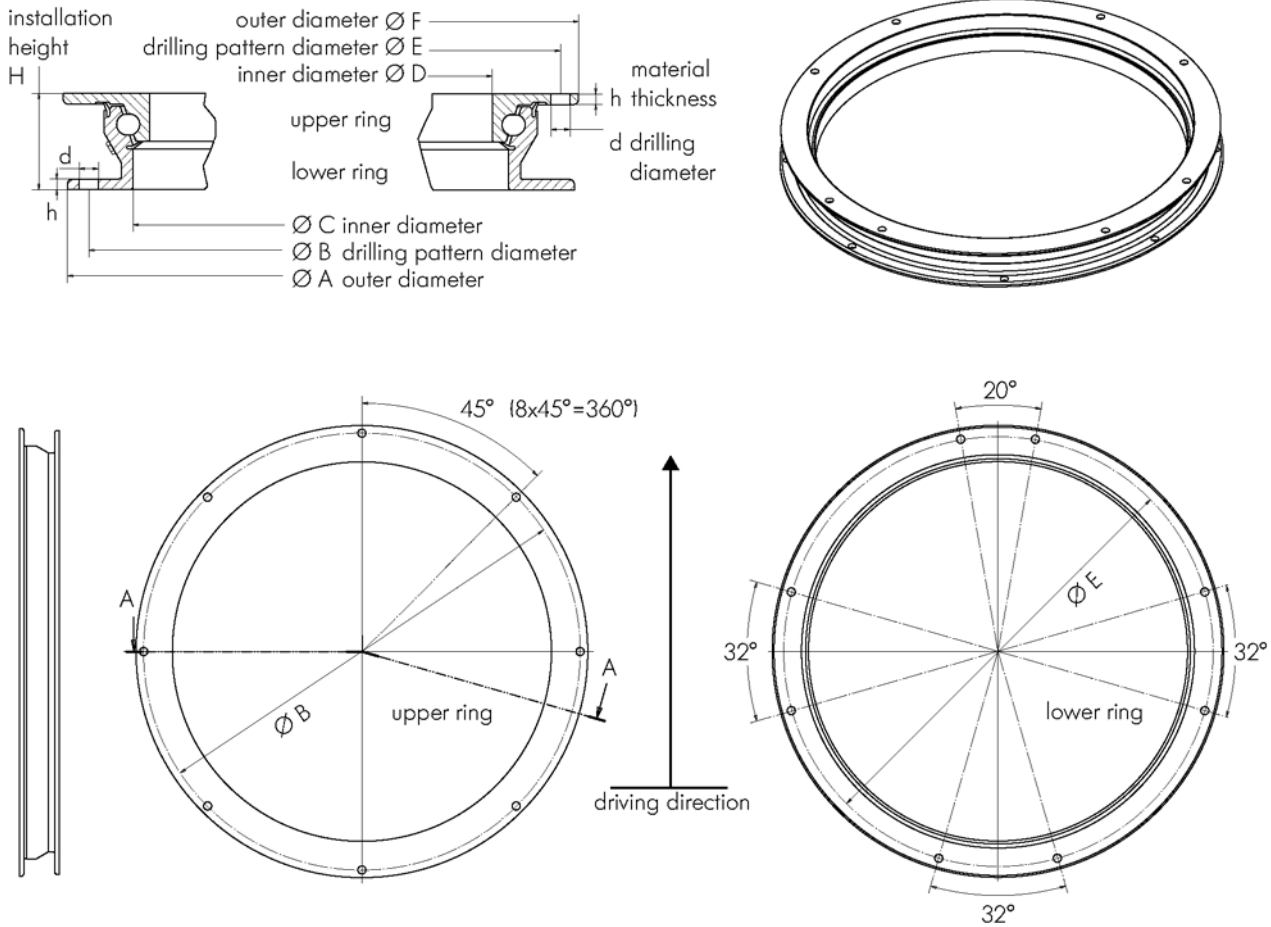


Type	Spec.	max. axial load	A	B	C	D	E	F	d	h	H	Weight	Order no.
		t	mm	mm	mm	mm	mm	mm	mm	mm	mm	kg	
BR-S 8	undrilled	8	1000	960	877	846	974	1008	18	10	90	73	662 106 100
BR-S 10	undrilled	10	1000	960	877	846	974	1008	18	10	90	80	662 106 120
BR-S 10-1	drilled	10	1100	1060	977	946	1074	1108	18	10	90	80	662 106 140
BR-S 12-1	drilled	12	1100	1060	977	946	1074	1108	18	10	90	80	662 106 160
BR-S 13-2	drilled	13	1200	1160	1077	1046	1174	1208	18	10	90	87	662 106 180

Single Row Ball Races

LOW MAINTENANCE

The low maintenance ball race series BR-W enjoy a low maintenance life cycle up to 3 years or 300.000 km. After that period they are to be serviced in the same way as standard ball races.



Type	Spec.	max. axial load	A	B	C	D	E	F	d	h	H	Weight	Order no.
		t	mm	mm	mm	mm	mm	mm	mm	mm	mm	kg	
BR-W 8	undrilled	8	1000	960	877	846	974	1008	18	10	90	73	662 106 110
BR-W 10	undrilled	10	1000	960	877	846	974	1008	18	10	90	80	662 106 130
BR-W 10-1	drilled	10	1000	1060	977	946	1074	1108	18	10	90	80	662 106 150
BR-W 12-1	drilled	12	1100	1060	977	946	1074	1108	18	10	90	80	662 106 170
BR-W 13-2	drilled	13	1200	1160	1077	1046	1174	1208	18	10	90	87	662 106 190

RAZOR - the power unit (available soon)

The safest way to lift your semi-trailer

- Landing leg automatically raised and lowered
- Easy operation at the push of a button
- Reduces work related injuries
- Compact and robust aluminium housing

RAZOR, the power unit for easy and safe semi-trailer landing leg operation.

Already thoroughly proven and tested over many years in Australia, under the most arduous conditions and now available on the European market through Georg Fischer.



Raising and lowering the landing legs of a semi-trailer is very laborious work for the driver. But this back breaking work and the associated aches and pains now belong in the past, this arduous task can now be completed quickly, reliably and safely with the aid of RAZOR.

Technical data

Type	Dimensions	Weight	Order no.
	mm	kg	
RAZOR complete without battery kit	230 x 135 x 75	7	663 200 010
RAZOR complete with battery kit	230 x 135 x 75	15	663 200 000

The RAZOR is available for landing legs of all major manufacturers like Haacon, Jost, York, Binkley, Holland or Khitch. Upon ordering please identify the manufacturer and the type of your landing leg.

Additional options available

- Separate battery kit for operation independent of the prime mover
- Duplicate keypad for 2-side operation

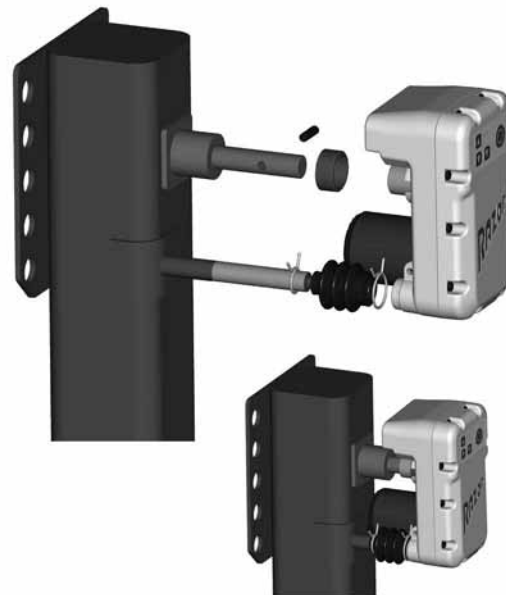
Installation

Dismantle the crank-handle of your landing leg. Mount the RAZOR directly on the existing crank-handle shaft. Attach the supplied steel torque arm to the leg.

Operation

Easy operation by 3 push buttons at the front. The RAZOR runs like your landing leg at two speeds: high gear and low gear.

Integrated safety interlock prevents unintentional leg operation of unbraked trailer.





Kingpins

Mobility

People are increasingly mobile, and they have ever greater demands for comfort and safety in their vehicles. With its highly stressable cast parts made of light metal and iron, GF Automotive makes it possible to build commercial vehicles that are both light-weight and safe.

Kingpins overview

Georg Fischer kingpins are made from type approved sturdy components conforming to the highest safety requirements. Their manufacture is correspondingly precise. The forged blanks are high-grade tempered and subjected to crack detection. Four different mounting options ensure - according to the D-value - safety in accordance with the latest technical standards.



- Overall dimensions in accordance with DIN 74080, 74083 and ISO 337/4086
- Wider range of application due to higher D-values
- Type approved
- Large assortment - optimal design for all semi-trailers
- Range of interchangeable pins 2" and 3 1/2"

Information for selecting kingpins

The characteristic value for the loading capacity of a kingpin is the D-value, which can be found on the lower flange of the kingpin. The weight of a vehicle alone is not an accurate indication of the forces occurring in the connecting mechanisms. The force acting on the connecting mechanism is determined by the sum of the influencing factors and their relationship. This force (known as drawbar, or D-value) is a function of the vertical load on the tractor, the weight of the tractor and the weight of the semi-trailer; it is also used as a basis for type testing.

D-value calculation equation

According to DIN 74080, DIN 74081, DIN 74083 and DIN 74084, the D-value can be calculated using the following equation:

$$D = g \times [0.6 \times m_k \times m_A] / [m_k + m_A - A] \text{ in kN}$$

The factor $g = 9.80665$ must be applied when converting kN.

Key:

m_k = permissible gross weight of the tractor in tonnes

m_A = permissible gross weight of the semi-trailer in tonnes

A = permissible vertical load on the tractor in tonnes

Example calculation

A kingpin is to be fitted on a semi-trailer with a permissible gross weight of 31 tonnes, pulled by a tractor with a permissible gross weight of 21 tonnes. The vertical load on the tractor is 14 tonnes. Unknown value: D-value

$$\begin{aligned} D &= g \times [0.6 \times m_k \times m_A] / [m_k + m_A - A] \\ &= 9.80665 \times [0.6 \times 21 \times 31] / [21 + 31 - 14] \\ &= 100.8 \text{ kN} \end{aligned}$$

The calculated D-value is 100.8 kN. The kingpin to be used must therefore have a D-value of at least 100.8 kN. The overall dimensions of the kingpin correspond to DIN 74080, 74083 and ISO 337/4086.

Safety information

Kingpins are vehicle connection components which are subject to design certification and the very highest standards of safety. Damaged, deformed or repaired (e.g. welded) components may not be used, otherwise operating and traffic safety are jeopardized and the product type approval becomes invalid.

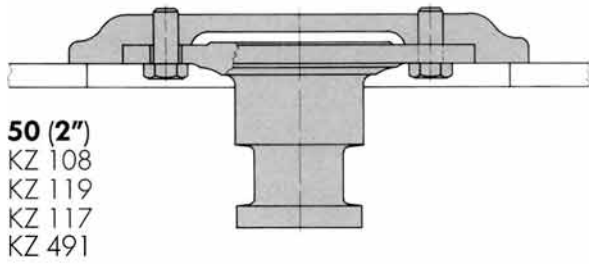
For safety reasons, use only original Georg Fischer spare parts.

Our product guarantee becomes invalid if non-original parts are used.

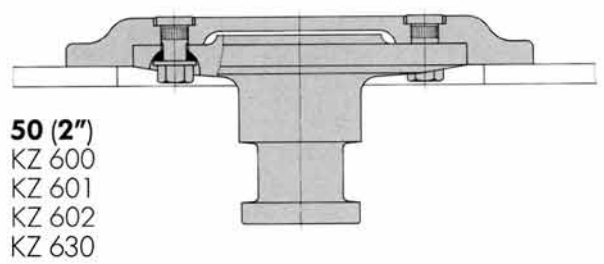
Ordering instructions

When ordering spare parts, please indicate the type of kingpin. You will find the type designation on the base of the kingpin.

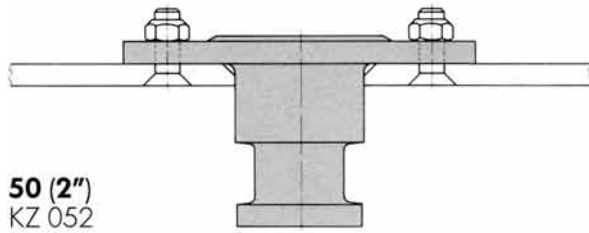
Overview of product range



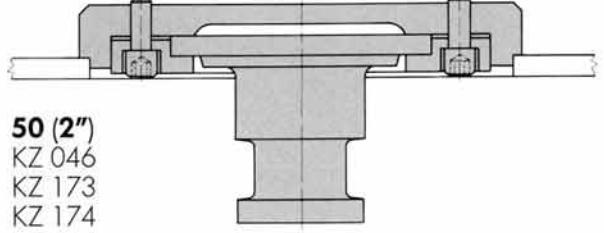
50 (2")
KZ 108
KZ 119
KZ 117
KZ 491



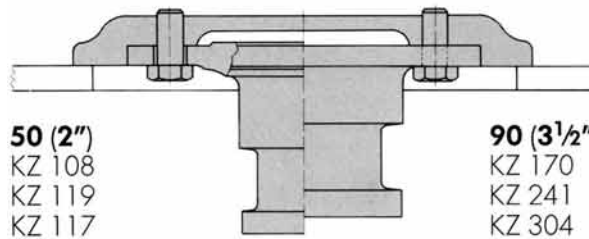
50 (2")
KZ 600
KZ 601
KZ 602
KZ 630



50 (2")
KZ 052

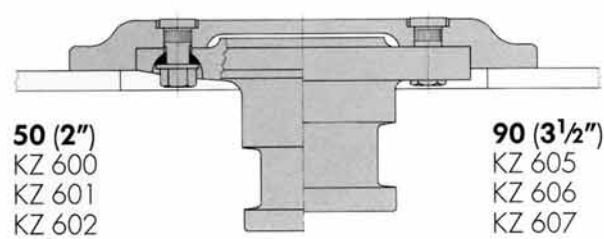


50 (2")
KZ 046
KZ 173
KZ 174



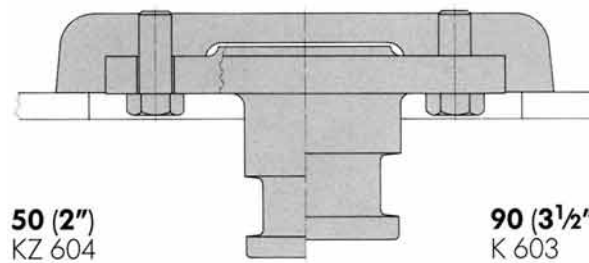
50 (2")
KZ 108
KZ 119
KZ 117

90 (3 1/2 inch)
KZ 170
KZ 241
KZ 304



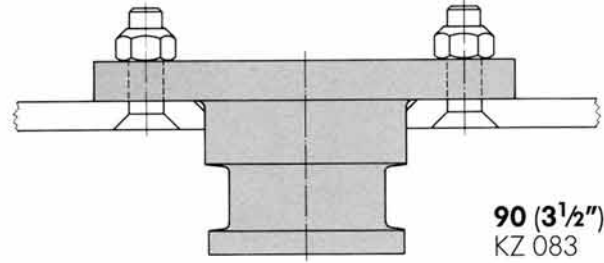
50 (2")
KZ 600
KZ 601
KZ 602

90 (3 1/2 inch)
KZ 605
KZ 606
KZ 607

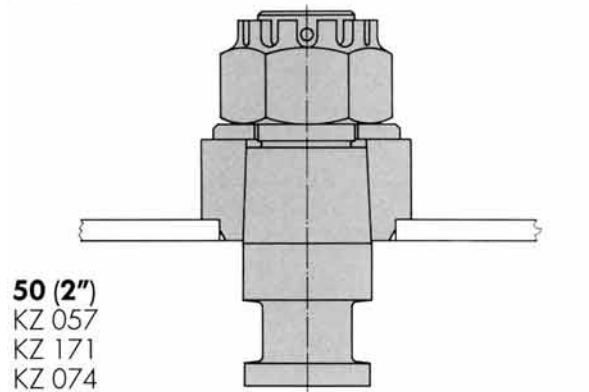


50 (2")
KZ 604

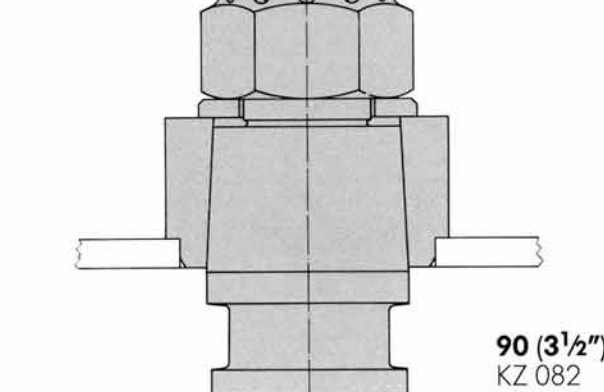
90 (3 1/2 inch)
K 603



90 (3 1/2 inch)
KZ 083



50 (2")
KZ 057
KZ 171
KZ 074



90 (3 1/2 inch)
KZ 082

Kingpins 50 mm (2")

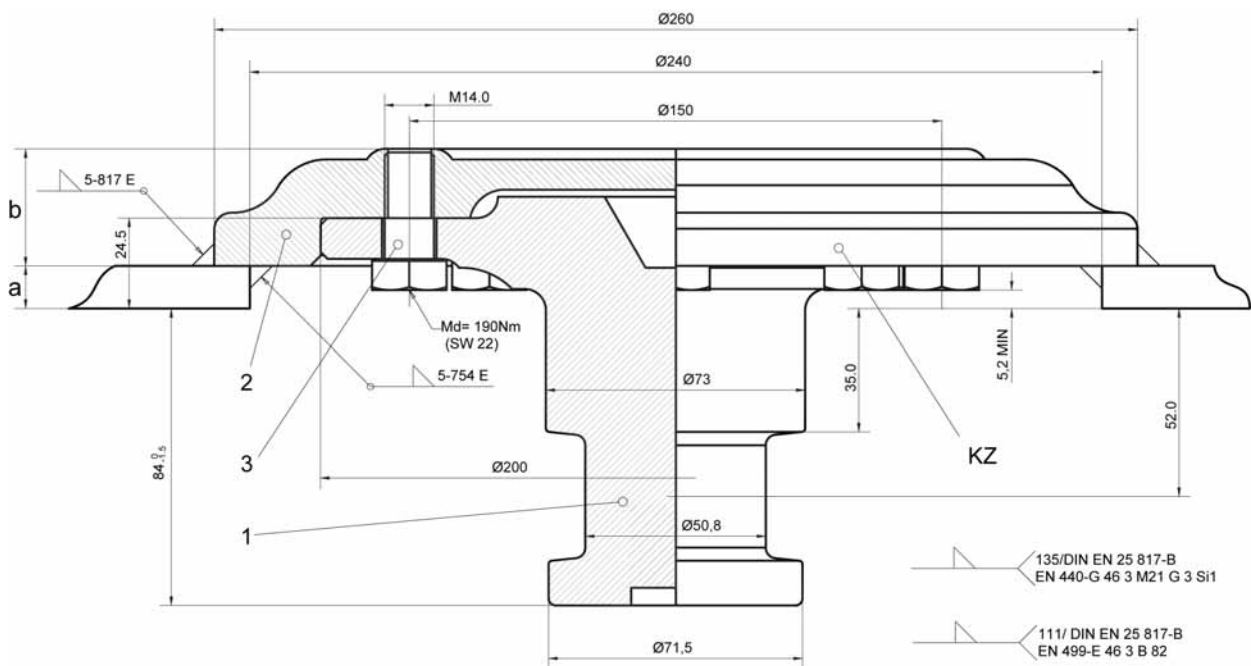
KZ 108, 119, 117, 491

- Diameter (Inch): 2
- Mounting: bolted flange
- Type: flanged
- Pitch circle diameter (mm): 150
- D-value (kN): 152
- Weight (kg): 12.5



Type approval:

- EG homologation: e1-00-0475



Item	Component (price per piece)	Nominal size	Plate thickness a	Mounting height b	Colour code	Order no.
		inch		mm		
KZ	KZ 491 complete	2"	6	35 +2/-0	red	662 101 491
KZ	KZ 117 complete	2"	8	35 +2/-0	white	662 101 117
KZ	KZ 119 complete	2"	10	33 +2/-0	blue	662 101 119
KZ	KZ 108 complete	2"	12	33 +2/-0	yellow	662 101 108
1	Kingpin	2"				662 101 109
2	Mounting flange for KZ 491		6	35 +2/-0	red	662 101 490
2	Mounting flange for KZ 117		8	35 +2/-0	white	662 101 118
2	Mounting flange for KZ 119		10	33 +2/-0	blue	662 101 120
2	Mounting flange for KZ 108		12	33 +2/-0	yellow	662 101 107
3	Bolt (8 per kingpin)					659 112 320

- Kingpins can be replaced from below
- With fitting option of pin 90mm (3½") no. 662 101 169
- Note: Self-locking bolts may only be used once

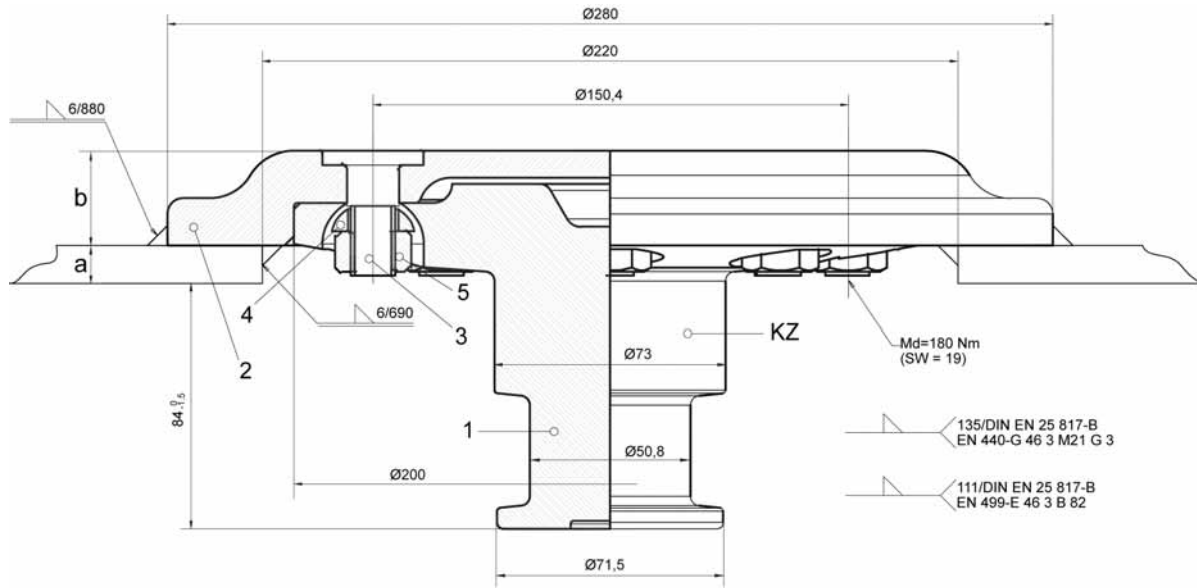
KZ 600, 601, 602, 630

- Diameter (Inch): 2
- Mounting: bolted flange
- Type: flanged
- Pitch circle diameter (mm): 150.4
- D-value (kN): 162.4
- Weight (kg): 14.2



Type approval:

- EG homologation: e1-00-0216



Item	Component (price per piece)	Nominal size	Plate thickness a	Mounting height b	Colour code	Order no.
		inch	mm	mm		
KZ	KZ 630 complete	2"	6	32 +2/-0	red	662 102 630
KZ	KZ 602 complete	2"	8	32 +2/-0	white	662 102 602
KZ	KZ 601 complete	2"	10	30 +2/-0	blue	662 102 601
KZ	KZ 600 complete	2"	12	30 +2/-0	yellow	662 102 600
1	Kingpin	2"				662 102 020
2	Mounting flange for KZ 630		6	32 +2/-0	red	662 102 227
2	Mounting flange for KZ 602		8	32 +2/-0	white	662 102 205
2	Mounting flange for KZ 601		10	30 +2/-0	blue	662 102 204
2	Mounting flange for KZ 600		12	30 +2/-0	yellow	662 102 203
3	Wheel stud (8 per kingpin)					662 102 206
4	Spring washer (8 per kingpin)					662 101 212
5	Flat flange nut (8 per kingpin)					662 101 211

- Mounting flange for kingpin incl. mounting kit
- Kingpins can be replaced from below
- With fitting option of pin 90mm (3½") no. 662 102 023

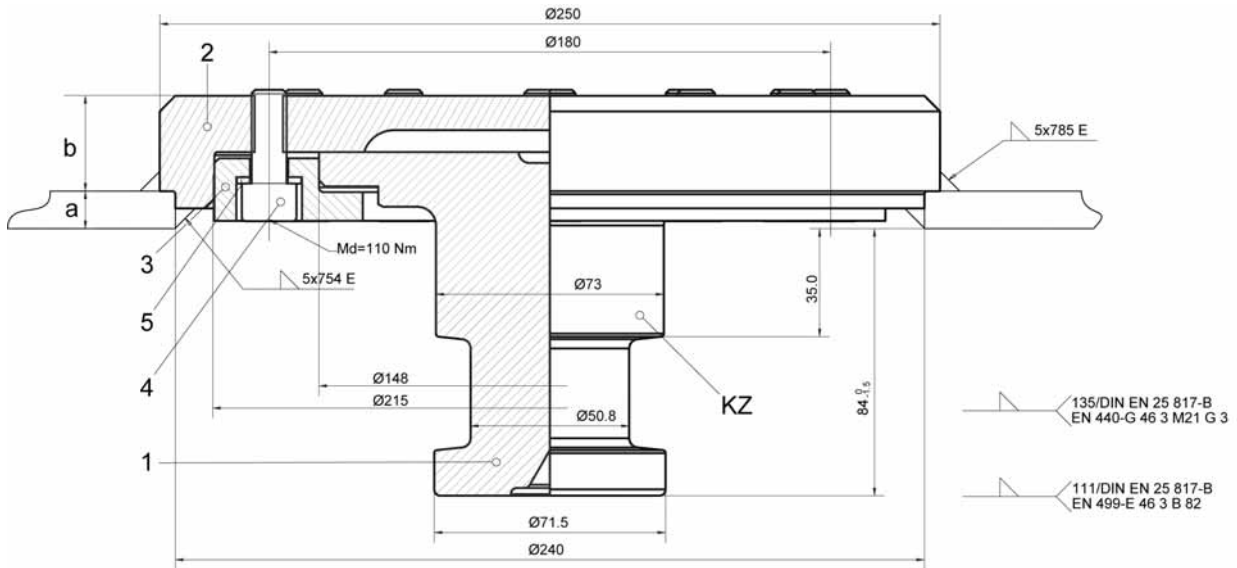
KZ 046, 173, 174

- Diameter (Inch): 2
- Mounting: bolted mounting ring
- Type: flanged
- Pitch circle diameter (mm): 180
- D-value (kN): 125
- Weight (kg): 15.0



Type approval:

- G: M 4625
- NL: RDW 17010090



Item	Component (price per piece)	Nominal size	Plate thickness a	Mounting height b	Colour code	Order no.
		inch	mm	mm		
KZ	KZ 174 complete	2"	8	34.5	white	662 101 174
KZ	KZ 173 complete	2"	10	32.5	blue	662 101 173
KZ	KZ 046 complete	2"	12	30.5	yellow	662 101 046
1	Kingpin	2"				662 101 042
2	Mounting flange for KZ 174		8	34.5	white	662 101 176
2	Mounting flange for KZ 173		10	32.5	blue	662 101 175
2	Mounting flange for KZ 046		12	30.5	yellow	662 101 047
3	Ring					662 101 044
4	Bolt (12 per kingpin)					659 112 345
5	Spring washer (12 per kingpin)					659 112 346

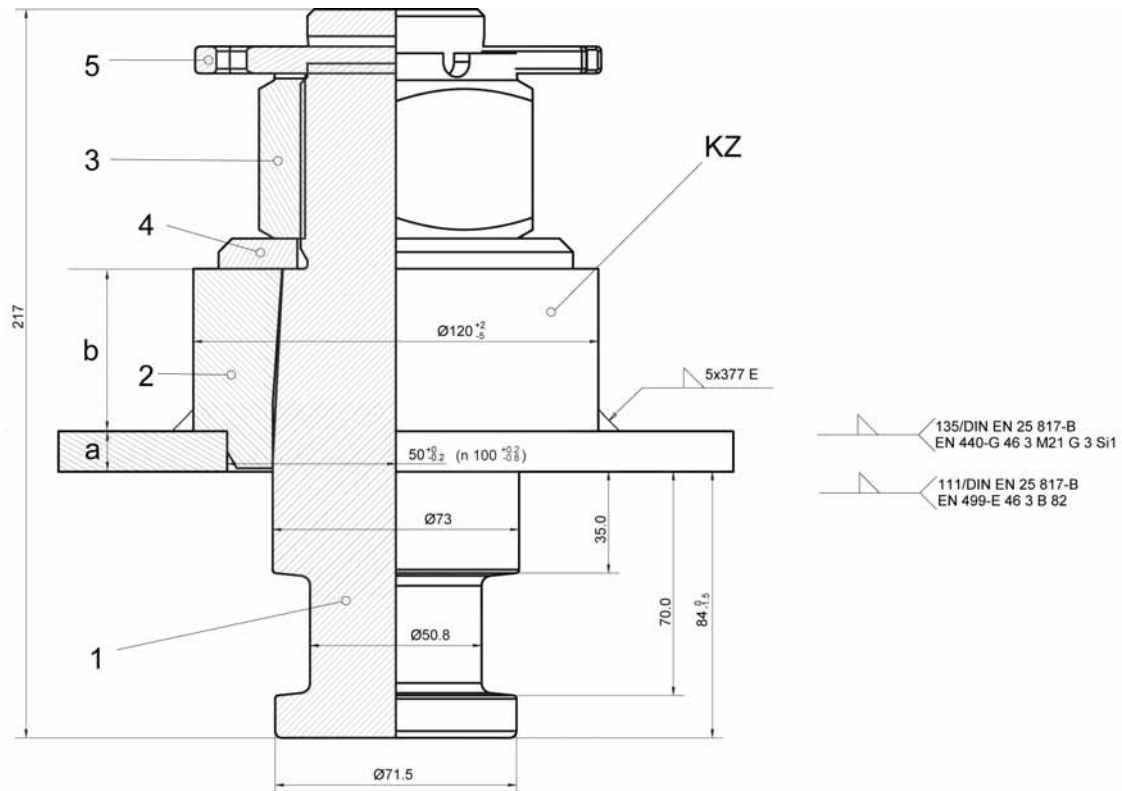
- Kingpins can be replaced from below
- Note: Self-locking bolts may only be used once

KZ 057, 074, 171

- Diameter (Inch): 2
- Mounting: inserted
- Type: castellated nut
- D-value (kN): 149
- Weight (kg): 9.9

Type approval:

- EG homologation: e1-00-0377



Item	Component (price per piece)	Nominal size	Plate thickness a	Mounting height b	Colour code	Order no.
		inch	mm	mm		
KZ	KZ 074 complete	2"	8	52	white	662 101 074
KZ	KZ 171 complete	2"	10	50	blue	662 101 171
KZ	KZ 057 complete	2"	12	48	yellow	662 101 057
	Without conical bush					662 101 369
1	Kingpin	2"				662 101 055
2	Conical bush		8	52	white	662 101 073
2	Conical bush		10	50	blue	662 101 172
2	Conical bush		12	48	yellow	662 101 056
3	Castellated nut					659 115 208
4	Washer					659 120 236
5	Split pin					659 130 023

- Kingpins with round flange

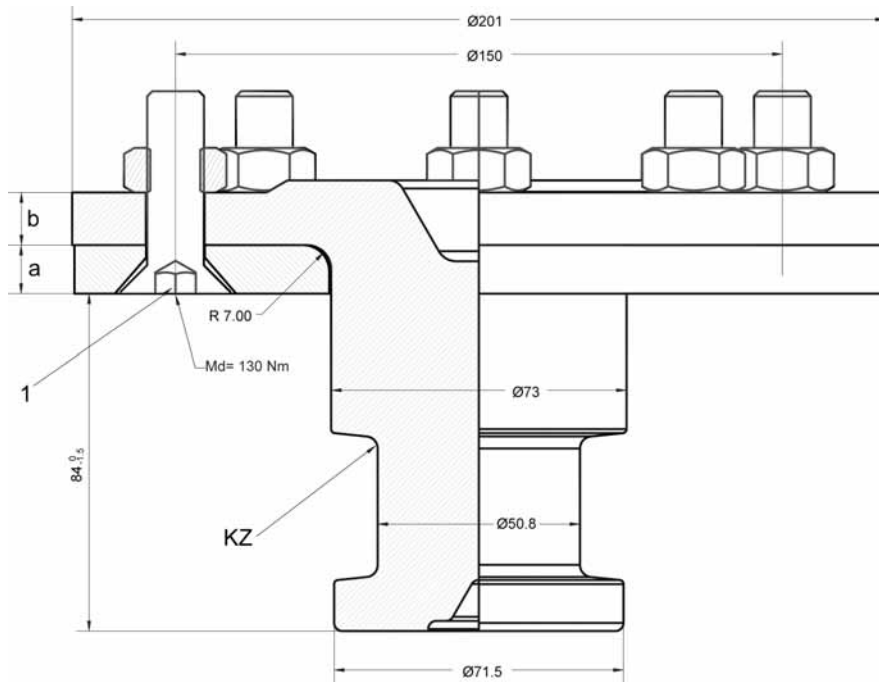
KZ 052

- Diameter (Inch): 2
- Mounting: bolted flange
- Type: flanged
- Pitch circle diameter (mm): 150
- D-value (kN): 103
- Weight (kg): 5.7



Type approval:

- EG homologation: e11-00-0374



Item	Component (price per piece)	Nominal size	Plate thickness a	Flange height b	Colour code	Order no.
		inch	mm	mm		
KZ	KZ 052 (without mounting kit)	2"	12	13	-	662 101 052
1	Mounting kit consisting of 8 bolts and 8 self-locking nuts					662 101 231

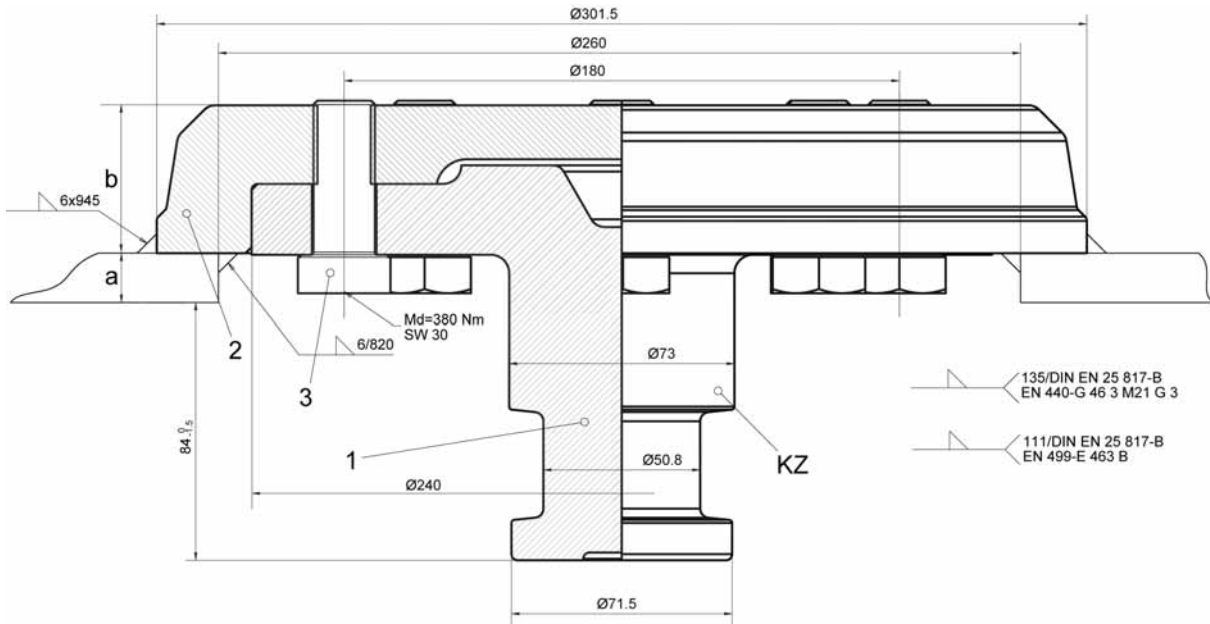
- Note: Self-locking nuts may only be used once

KZ 604

- Diameter (Inch): 2
- Mounting: bolted flange
- Type: flanged
- Pitch circle diameter (mm): 180
- D-value (kN): 162.4
- Weight (kg): 27.5

Type approval:

- EG homologation: e11-00-0375



Item	Component (price per piece)	Nominal size	Plate thickness a	Mounting height b	Colour code	Order no.
		inch	mm	mm		
KZ	KZ 604 complete	2"	16	48	-	662 102 604
1	Kingpin	2"				662 102 022
2	Mounting flange for KZ 604		16	48	-	662 102 207
3	Bolt (8 per kingpin)					662 102 208

- Kingpins can be replaced from below
- With fitting option of pin 90mm (3½") no. 662 102 021
- Note: Self-locking bolts may only be used once

Kingpins 90 mm (3½")

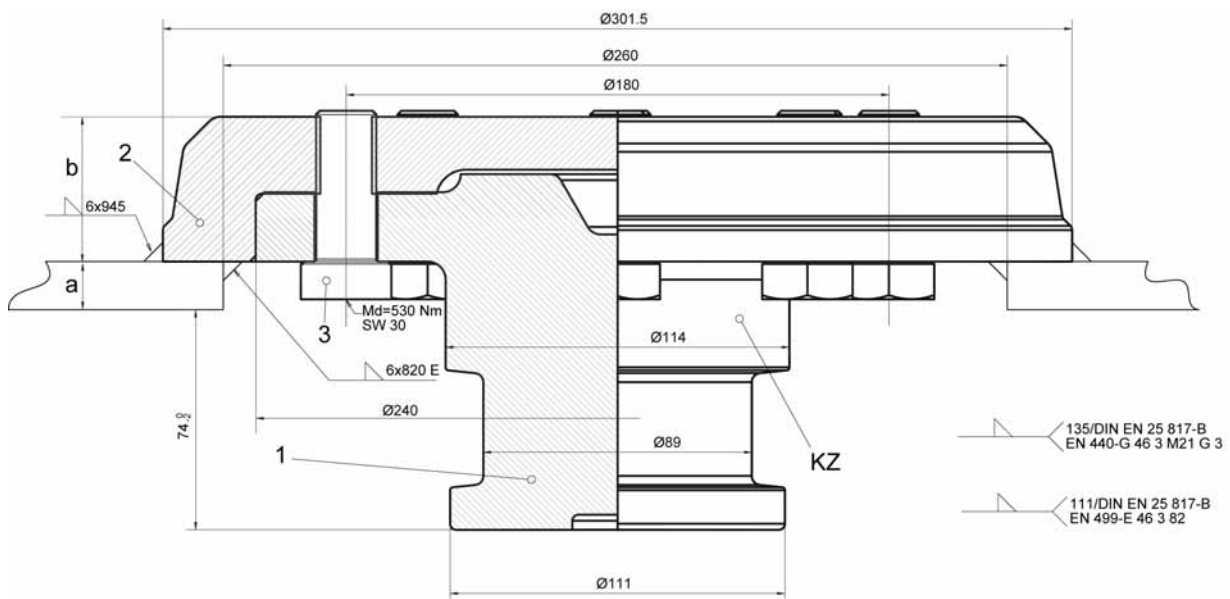
KZ 603

- Diameter (Inch): 3½
- Mounting: bolted flange
- Type: flanged
- Pitch circle diameter (mm): 180
- D-value (kN): 280
- Weight (kg): 30.7



Type approval:

- EG homologation: e11-00-0393

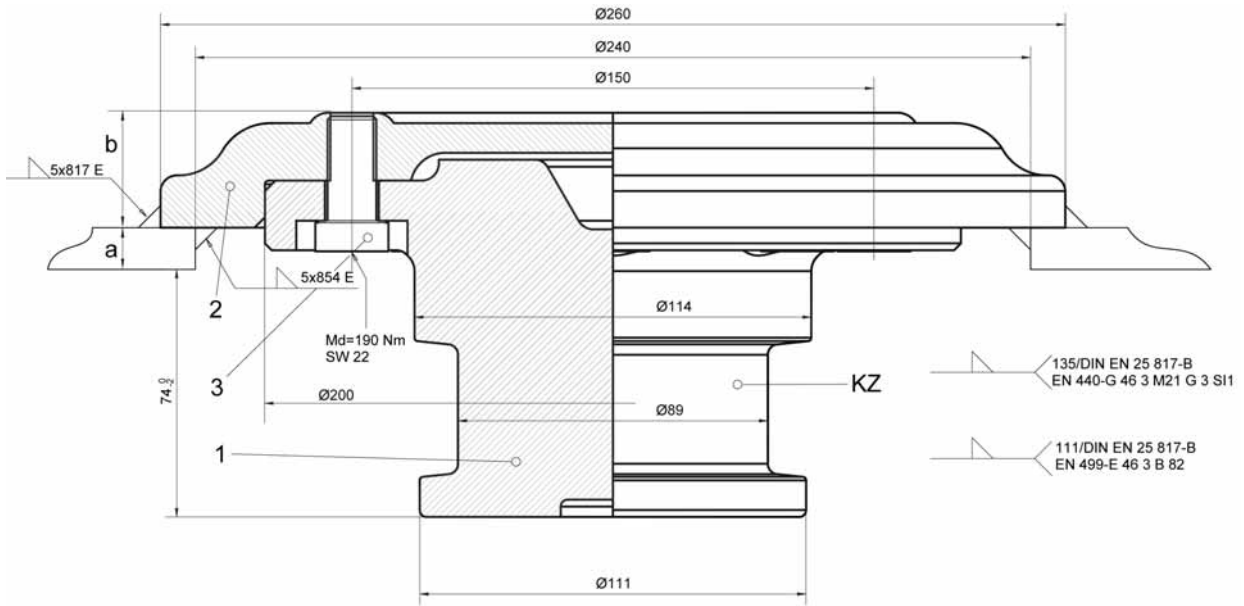


Item	Component (price per piece)	Nominal size	Plate thickness a	Mounting height b	Colour code	Order no.
		inch	mm	mm		
KZ	KZ 603 complete	3½"	16	48	-	662 102 603
1	Kingpin	3½"				662 102 021
2	Mounting flange for KZ 603		16	48	-	662 102 207
3	Bolt (8 per kingpin)					662 102 208

- Kingpins can be replaced from below
- With fitting option of pin 50mm (2") no. 662 102 022
- Note: Self-locking bolts may only be used once

KZ 170, 241, 304

- Diameter (Inch): 3½
- Mounting: bolted flange
- Type: flanged
- Pitch circle diameter (mm): 150
- D-value (kN): 152
- Weight (kg): 17.0



Item	Component (price per piece)	Nominal size	Plate thickness a	Mounting height b	Colour code	Order no.
		inch	mm	mm		
KZ	KZ 304 complete	3½"	8	35 +2/-0	white	662 101 304
KZ	KZ 241 complete	3½"	10	33 +2/-0	blue	662 101 241
KZ	KZ 170 complete	3½"	12	33 +2/-0	yellow	662 101 170
1	Kingpin	3½"				662 101 169
2	Mounting flange for KZ 304		8	35 +2/-0	white	662 101 118
2	Mounting flange for KZ 241		10	33 +2/-0	blue	662 101 120
2	Mounting flange for KZ 170		12	33 +2/-0	yellow	662 101 107
3	Bolt (8 per kingpin)					659 112 320

- Kingpins can be replaced from below
- With fitting option of pin 50mm (2") no. 662 101 109
- Note: Self-locking bolts may only be used once

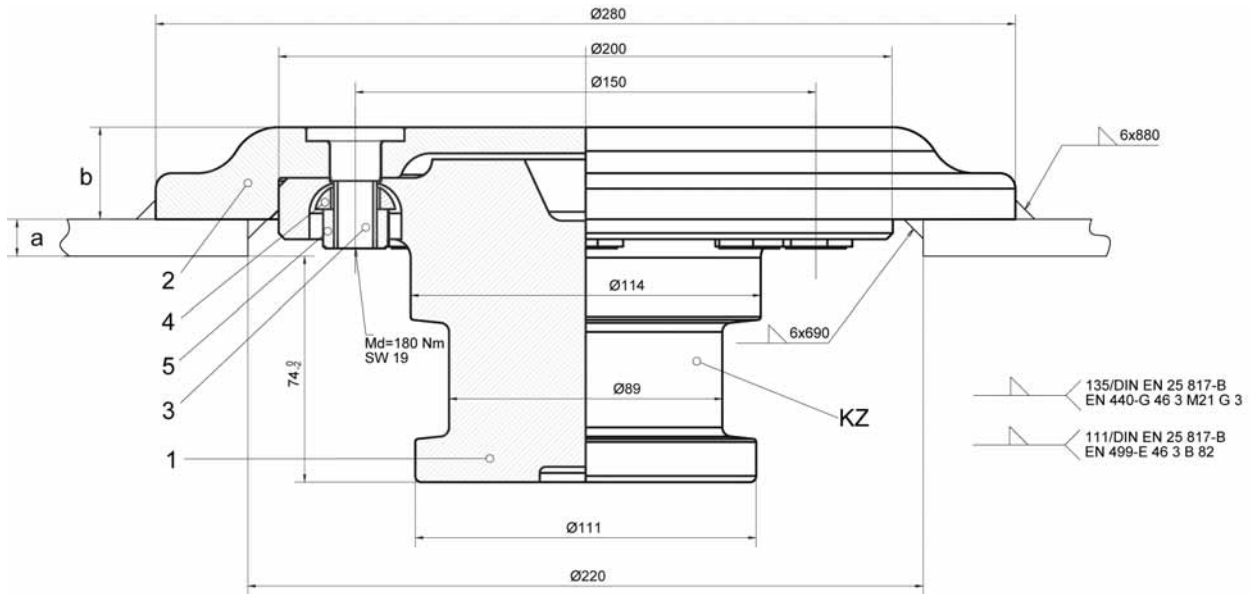
KZ 605, 606, 607

- Diameter (Inch): 2
- Mounting: bolted flange
- Type: flanged
- Pitch circle diameter (mm): 150
- D-value (kN): 162.4
- Weight (kg): 18.5



Type approval:

- EG homologation: e11-00-0394



Item	Component (price per piece)	Nominal size	Plate thickness a	Mounting height b	Colour code	Order no.
		inch	mm	mm		
KZ	KZ 607 complete	3½"	8	32 +2/-0	white	662 102 607
KZ	KZ 606 complete	3½"	10	30 +2/-0	blue	662 102 606
KZ	KZ 605 complete	3½"	12	30 +2/-0	yellow	662 102 605
1	Kingpin	3½"				662 102 023
2	Mounting flange for KZ 607		8	32 +2/-0	white	662 102 205
2	Mounting flange for KZ 606		10	30 +2/-0	blue	662 102 204
2	Mounting flange for KZ 605		12	30 +2/-0	yellow	662 102 203
3	Wheel stud (8 per kingpin)					662 102 206
4	Spring washer (8 per kingpin)					662 101 212
5	Flat flange nut (8 per kingpin)					662 101 211

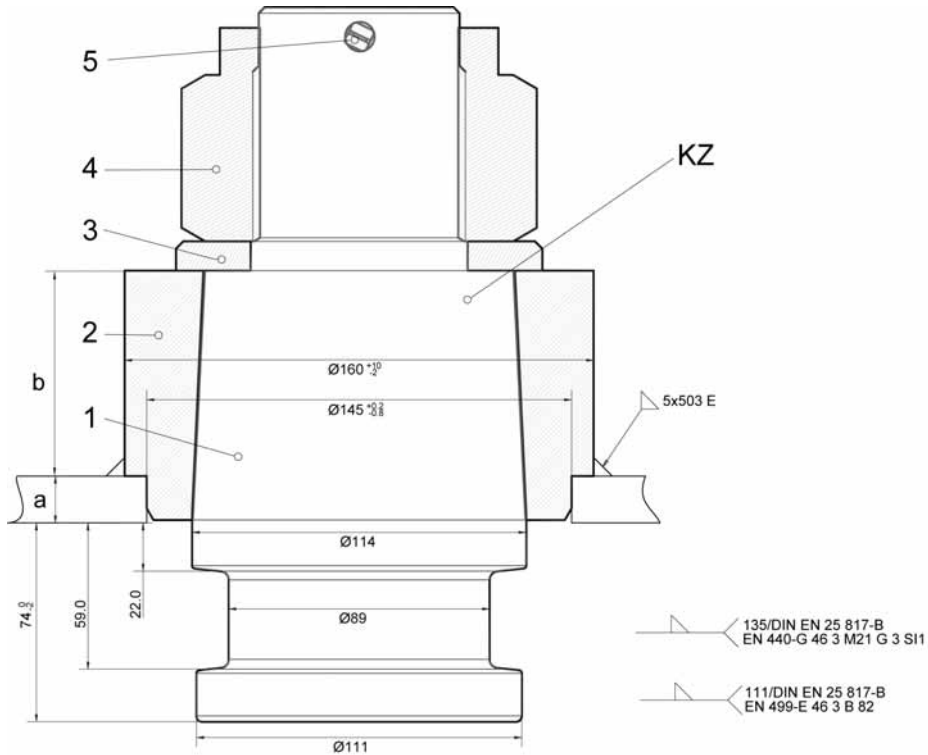
- Kingpins can be replaced from below
- With fitting option of pin 50mm (2") no. 662 102 020

KZ 082

- Diameter (Inch): 3½
- Mounting: inserted
- Type: castellated nut
- D-value (kN): 254.9
- Weight (kg): 23.0

Type approval:

- EG homologation: e11-00-0376



Item	Component (price per piece)	Nominal size	Plate thickness a	Mounting height b	Colour code	Order no.
		inch	mm	mm		
KZ	KZ 082 complete	3½"	16	70	-	662 101 082
1	Kingpin	3½"				662 101 080
2	Conical bush					662 101 081
3	Washer					659 120 237
4	Castellated nut					659 115 209
5	Splint pin					659 130 024

- Kingpins with round flange

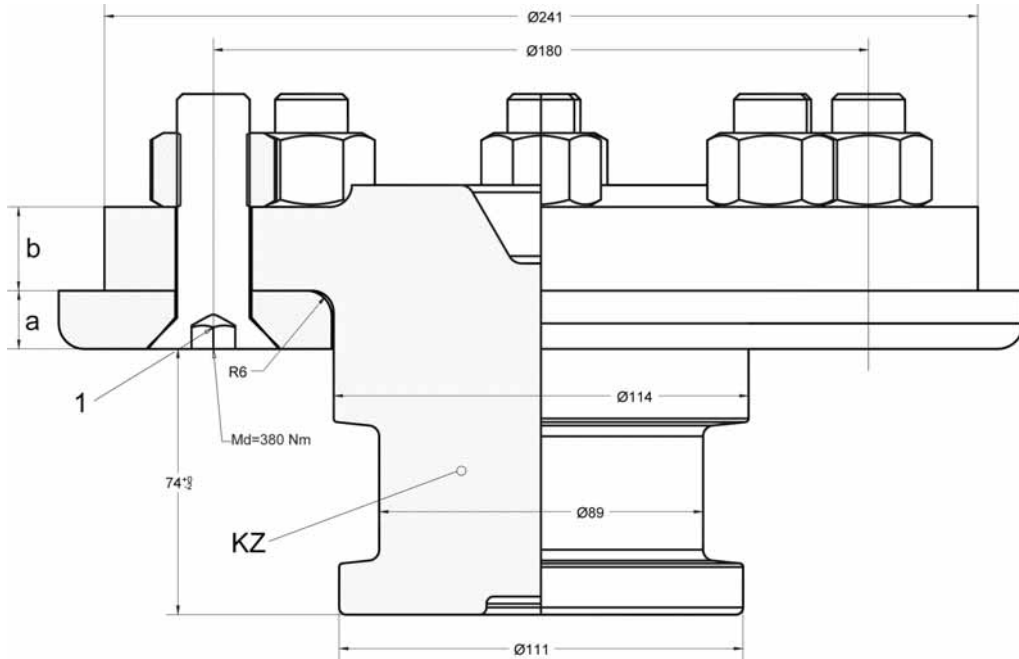
KZ 083

- Diameter (Inch): 3½
- Mounting: bolted with selflocking nuts
- Type: flanged
- Pitch circle diameter (mm): 180
- D-value (kN): 255
- Weight (kg): 13.5



Type approval:

- EG homologation: e11-00-0392



Item	Component (price per piece)	Nominal size	Plate thickness a	Flange height b	Colour code	Order no.
		inch	mm	mm		
KZ	KZ 083 (without mounting kit)	3½"	16	23	-	662 101 083
1	Mounting kit consisting of 8 bolts and 8 self-locking nuts					662 101 232

- Self-locking nuts may only be used once

Fitting instructions

Kingpins are vehicle connection components which are subject to type approval and the very highest standards of safety. Modifications of any kind preclude guarantee claims and invalidate product type approval.

In the Federal Republic of Germany, the addition of kingpins is subject to approval under paragraphs 19-21 of the Regulations Authorising the Use of Vehicles for Road Traffic (StVZO).

The semi-trailer plate must be flat and without welding seams or sharp edges. Semi-trailer plates which are not level cause uneven running of the tractor, rolling motion of the semi-trailer and severe wear on the fifth wheel plate, the locking mechanism and the kingpin.

The fifth wheel should be completely covered by the semi-trailer plate in all positions. We recommend bevelling the semi-trailer plates upwards or de-chamfering them steeply at the front, i.e. at the tractor side.

The kingpins comply with the current standards, under which the pin must project out of the semi-trailer plate by a tolerated length when fitted. The surface evenness and the thickness of the semi-trailer plate must therefore be checked before fitting.

In the interests of strength we recommend the use of 12 mm thick semi-trailer plates. If thinner plates are used, the kingpin must be reinforced accordingly.

Permissible semi-trailer plate thickness tolerances:

6 mm +0.4 / -0.3
8 mm +0.4 / -0.3
10 mm +0.4 / -0.3
12 mm +0.2 / -0.5
16 mm +0.3 / -0.5

Observe the following welding regulations when welding the mounting flange or conical bushes:

Installation is with continuous welding seams. Use only high-grade additive material.

- Welding process: E II
- Filler metal: V88sDIN 1913
- Welding process: MAG C
- Filler metal: Griduct SV5 green or I Messer Griduct SV4 red J Griesheim or K5 / K52 / K56 (Westf. Union) or E MK7 / E MK6 (Böhler) or equivalent, TÜV-approved products

It must be ensured that both the plate and the mounting of the kingpin are reinforced according to the load and the respective D-value. The kingpins must be inserted centred and flat, and their angular seating must be checked. The fitted pins must be protected against weld splashes. After welding, all fastening bolts and nuts must be checked for the proper specified tightening torque. This check must also be performed at all future inspections of the vehicle.

The tapered kingpins must be given a proper interference fit (by hammering), and the castellated nut tightened with the specified tightening torque and secured with splint pins.

Before putting the semi-trailer into service, grease the kingpin thoroughly using a long-life, high-pressure grease with molybdenum or graphite additive.

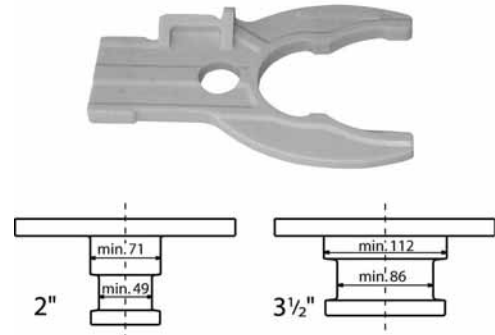
Generous lubrication of the kingpin and the fifth wheel is crucial for the service life of these safety elements.

Gauge

The coupling lock and kingpin are subject to a certain amount of wear. Our reference gauges for 2" and 3½" kingpins and fifth wheels facilitate measurement of wear limits. Check the kingpin for deformation and firm seating.

If the readings are lower than the limits shown here, the kingpins or wear rings must be replaced by original Georg Fischer parts.

A 3½" reference gauge is under development.



Technical data

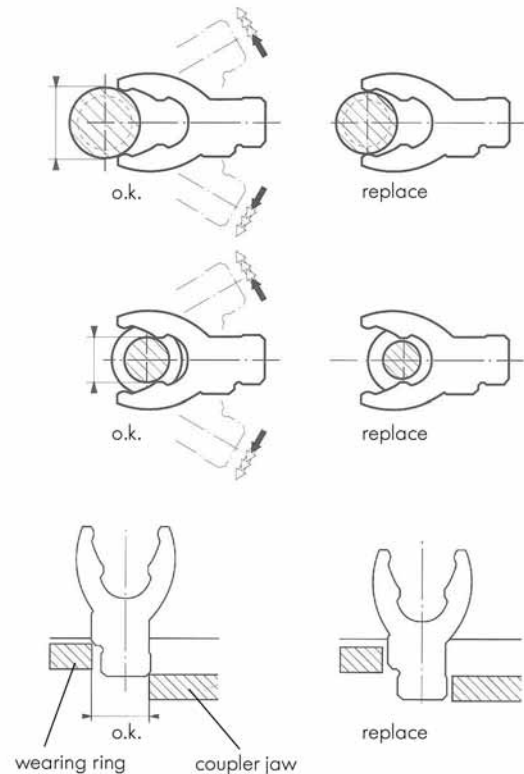
Type	Nominal size	Dimensions	Weight	Order no.
	inch	mm	kg	
gauge	2"	166 x 108	0.155	659 920 032

Operating instructions

The gauge surfaces may not slide over the Georg Fischer kingpins. Measure lengthways and crossways, as well as at various heights.

After performing these checks, thoroughly coat the semi-trailer plate and the kingpin, as well as the top of the fifth wheel plate, the locking mechanism and the wear ring, using a long-life, high-pressure grease with molybdenum or graphite additive. At short intervals, but at least at every lubrication servicing of the semi-trailer tractor, the fifth wheel, semi-trailer plate and the kingpin must be recoated with lubricant.

The reference gauge should not be able to slide into the closed fifth wheel locking mechanism from above. Measure lengthways and crossways.



Safety instructions

Before hitching, and especially before attaching the semi-trailer for the first time and after each lubrication, ensure that the locking mechanism of the fifth wheel is in the "hitching" position.

After hitching by attaching the carabiner hook or by setting the safety lever (with automatic locking), check whether the locking mechanism is completely closed.

After hitching the fifth wheel

- with carabiner hook: attach it
- with automatic latch: check whether it is engaged and the cam does not protrude next to the operating handle

Important: Perform PULL TEST in a low gear.

TRILEX® - Wheel System

Mobility

People are increasingly mobile, and they have ever greater demands for comfort and safety in their vehicles. With its highly stressable cast parts made of light metal and iron, GF Automotive makes it possible to build commercial vehicles that are both light-weight and safe.

TRILEX® - the universal wheel system

An ideal wheel system for trucks, buses and trailers, consisting of a TRILEX wheelspider and detachable rim. Developed and tested as high-precision, individual sturdy components in close collaboration with vehicle manufacturers.

- in sizes 15", 20", 22½" and 24"
- for tubed and tubeless tyres
- for single tyre or twin tyres
- Available for vehicles of all well-known manufacturers



TRILEX® wheels offer features that will reduce your expenses mile after mile

- Optimum design of wheelspider and rim saves weight and thus increases payload
- Better cooling prolongs the useful life of tyres and brakes
- Lower tightening torque of bolts eases wheel change
- Risk-free tyre change due to 3-piece TRILEX rim
- Robust design ensures highest safety with additional loads
- Precision machining of wheelspider improves rolling characteristics



Wheelspider with
TRILEX rim 15"/20"/24"



Wheelspider with
TUBLEX rim 22,5"



Wheelspider with
UNILEX rim 20"



for tubed tyres



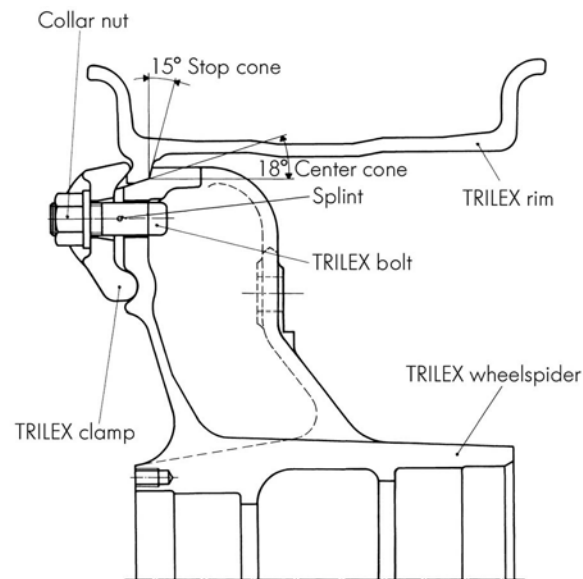
for tubeless tyres



for tubeless tyres

TRILEX® double cone centring

Ensures perfect alignment of rim on the TRILEX wheelspider.



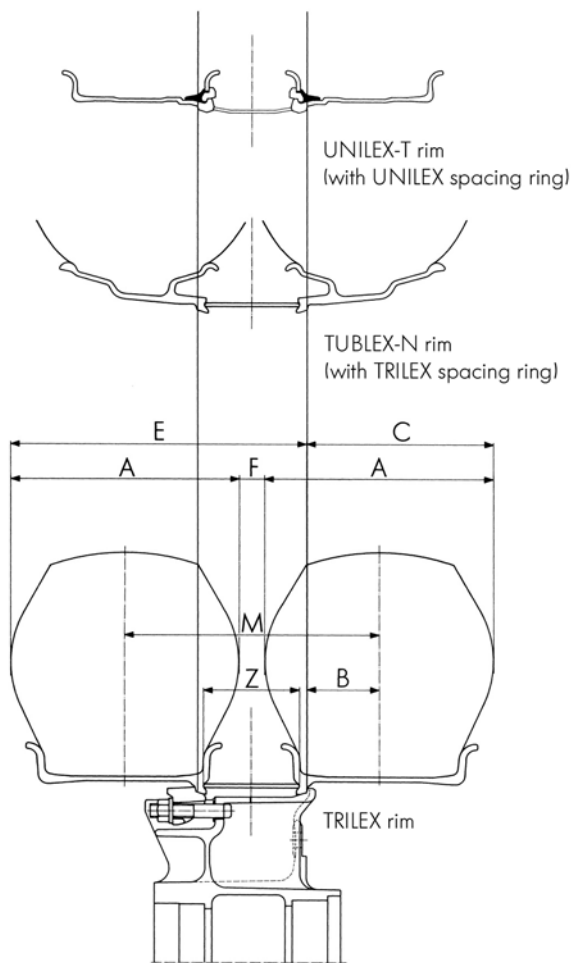
Note: Rims of 28° cone wheel systems are not interchangeable with the TRILEX system.

TRILEX® - for tubeless tyres

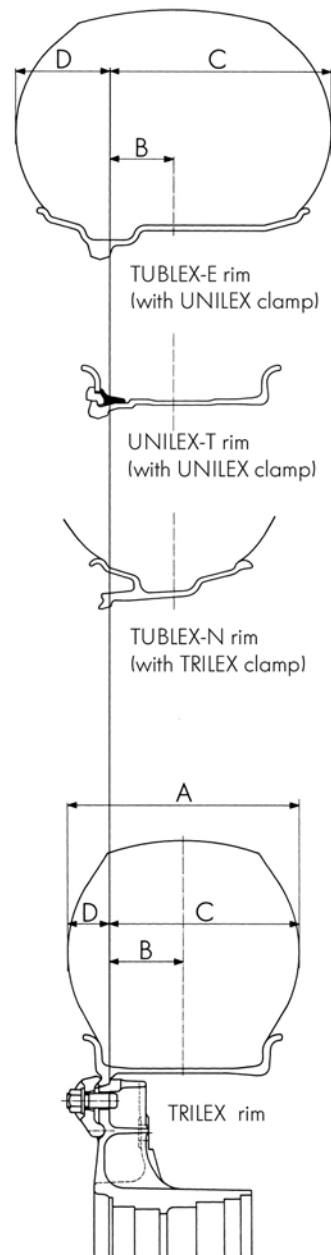
TUBLEX drop centre rims for tubeless tyres can be fitted on the same TRILEX wheelspider and with the same clamps as the TRILEX rims. You will thus enjoy the same advantages of TRILEX as when using tubeless tyres.

Overview of tyres and rims

TRILEX standard wheelspider for twin tyres



TRILEX standard wheelspider for single tyre



All rims of TRILEX wheel systems are designed for the carrying capacity of the corresponding respective tyre. For the tyre carrying capacity and the permissible speed, please refer to the manual of your tyre manufacturer.

Tyre and rim combinations

TRILEX® rims for tubed tyres

ø	Tyre	Rim	A	B	C	D	E	F	Z	M
inch			mm	mm	mm	mm		mm	mm	mm
15"	7.50 R 15	6.0-15	212	69.0	175.0	37.0	283.0	34	90	246
15"	7.50 R 15	6.5-15	217	74.0	182.5	34.5	290.5	39	90	256
15"	225/75 R 15	7.0-15	225	80.5	193.0	32.0	301.0	44	90	269
15"	8.25 R 15	6.5-15	234	74.0	191.0	43.0	309.0	32	100	266
15"	8.25 R 15	7.0-15	239	80.5	200.0	39.0	318.0	40	100	279
15"	250/70 R 15	7.5-15	251	86.5	212.0	39.0	330.0	40	100	291
15"	10.00 R 15	7.5-15	275	86.5	224.0	51.0	362.0	36	120	311
20"	8.25 R 20	6.5-20	230	74.0	189.0	41.0	306.0	35	99	265
20"	9.00 R 20	7.0-20	258	80.5	209.5	48.5	341.5	35	114	293
20"	10.00 R 20	7.5-20	275	86.5	224.0	51.0	366.0	40	124	315
20"	11.00 R 20	8.0-20	286	92.0	235.0	51.0	379.0	42	124	328
20"	12.00 R 20	8.5-20	313	98.5	255.0	58.0	414.0	43	139	356
20"	14.00 R 20	10.0-20	370	116.5	301.5	68.5	498.5	60	177	430
20"	13/80 R 20	8.5-20	321	98.5	259.0	62.0	426.0	43	147	364
20"	14/80 R 20	10.0-20	350	116.5	291.5	58.5	458.5	50	147	400
20"	12.5 R 20	11-20	330	108.0	273.0	57.0	-	-	-	-
20"	14.5 R 20	11-20	362	108.0	289.0	73.0	-	-	-	-
24"	12.00 R 24	8.5-24	313	98.5	255.0	58.0	414.0	43	139	356
24"	14.00 R 24	10.0-24	370	116.5	301.5	68.5	498.5	60	177	430

TUBLEX®-G rims / TUBLEX®-N rims for tubeless tyres

ø	Rim	A	B	C	D	E	F	Z	M
inch		mm	mm	mm	mm		mm	mm	mm
22,5"	22.5 x 7.50	254	86.5	213.5	40.5	342.5	48	109	302
22,5"	22.5 x 7.50	255	86.5	214.0	41.0	343.0	47	109	302
22,5"	22.5 x 7.50	267	86.5	220.0	47.0	354.0	40	114	307
22,5"	22.5 x 7.50	268	86.5	220.5	47.5	354.5	39	114	307
22,5"	22.5 x 7.50	271	86.5	222.0	49.0	361.0	41	119	312
22,5"	22.5 x 8.25	275	92.0	229.5	44.5	363.5	43	114	318
22,5"	22.5 x 8.25	276	92.0	230.0	46.0	369.0	47	119	323
22,5"	22.5 x 8.25	279	92.0	231.5	47.5	375.5	49	124	328
22,5"	22.5 x 8.25	290	92.0	237.0	53.0	387.0	44	130	334
22,5"	22.5 x 8.25	291	92.0	237.5	53.5	387.5	43	130	334
22,5"	22.5 x 8.25	292	92.0	238.0	54.0	388.0	42	130	334
22,5"	22.5 x 9.00	298	98.5	247.5	50.5	397.5	49	130	347
22,5"	22.5 x 9.00	300	98.5	248.5	51.5	398.5	47	130	347
22,5"	22.5 x 9.00	305	98.5	251.0	54.0	401.0	42	130	347
22,5"	22.5 x 9.00	312	98.5	254.5	57.5	413.5	44	139	356

Conventional wheelspiders / adaptors

TRILEX® wheelspiders

TRILEX wheels have stood up to the toughest possible operating conditions the world over and are offered by all of the leading vehicle manufacturers. TRILEX wheels are engineered to specific axle size in respect to bearings, seals, brakes, track, carrying capacity, etc.

For safety reasons, use exclusively original TRILEX parts. Our product guarantee becomes invalid if non-original parts are used. Original TRILEX spare parts can be obtained throughout the world from our branch offices or sales representatives. Please ask us for their addresses.

TRILEX wheelspiders for twin tyres



Order no.	Size	Weight
	inch	kg
604 105 540	20	64.4
604 107 434	20	57.0
604 110 616	20	48.0
604 110 682	24	55.0
604 110 686	24	64.5
604 110 702	20	46.0
604 110 704	24	64.0
604 202 134	20	45.0
604 202 194	20	44.0
604 202 198	24	63.0
604 202 222	24	55.0
604 202 224	24	61.0
604 202 234	15	29.0
604 202 254	20	36.0
604 202 260	20	39.0
604 202 268	24	65.0
604 202 270	20	57.0
604 202 296	24	67.0
604 202 304	24	54.0
604 233 020	24	50.0
604 233 066	24	51.0
604 233 068	24	48.0
604 233 508	20	34.0

TRILEX wheelspiders for single tyres



Order no.	Size	Weight
	inch	kg
604 105 507	20	31.0
604 105 511	20	31.0
604 155 203	24	46.4
604 155 207	20	35.0
604 155 215	20	32.0
604 155 217	20	37.5
604 155 219	24	46.0
604 202 201	20	36.0
604 202 223	20	35.5

TRILEX® adaptors

Vehicles equipped with disc wheels can be changed over to the TRILEX wheel by means of TRILEX adaptors (20" and 24"). Selection of the suitable adaptor depends on: type of vehicle and/or axle, track, tyres used, profile of brake drum and fixation (centring). Our technical customer service representatives will be glad to assist you.

TRILEX wheel adaptors for twin tyres



Order no.	Size	Weight
	inch	kg
604 260 054	24	52.5
604 260 154	20	36.0
604 260 160	20	35.5
604 260 174	24	44.0
604 260 188	20	54.0
604 260 212	20	37.0
604 260 232	24	44.0
604 260 234	20	41.0
604 260 236	20	34.0
604 260 240	24	43.0
604 260 280	24	49.0
604 260 282	24	45.5
604 260 340	20	38.0

TRILEX wheel adaptors for single tyres



Order no.	Size	Weight
	inch	kg
604 260 023	24	22.5
604 260 181	24	22.0
604 260 191	20	13.0
604 260 193	20	52.5
604 260 195	20	14.0
604 260 197	24	23.0
604 260 199	20	17.0
604 260 205	24	22.0
604 260 269	24	23.0
604 260 315	20	16.0
604 260 325	20	17.5
604 260 333	24	23.0
604 260 351	20	15.7

Rims

TRILEX® wide base rims

Segmented rim for tyres with tubes for mounting on TRILEX wheelspiders.



ø	Type	Weight	Spare part	Order no.
inch		kg		
15"	6.0-15	17.5	410 307	650 410 800
15"	6.5-15	19.0		650 410 351
15"	7.0-15	21.5		650 410 316
15"	7.5-15	24.0		650 410 321
20"	6.5-20	26.5	81T650	650 410 352
20"	7.0-20	29.0	81T700	650 410 318
20"	7.5-20	31.5	81T750	650 410 323
20"	8.0-20	35.5	81T800	650 410 327
20"	8.5-20	38.5	81T850	650 410 355
20"	10.0-20	50.0	81T100	650 410 373
20"	11-20	38.1		650 410 815
24"	8.5-24	46.5	81T854	650 410 357
24"	10.0-24	60.0	81T104	650 410 374

TUBLEX®-N drop centre rims (tubeless)

15° drop centre rim for tubeless tyres for mounting on TRILEX wheelspiders. Made of rolled strip steel.

Fastening parts: The same fastening parts (clamps, bolts, spacing rings, etc.) can be used for TUBLEX-N rims as are used for TRILEX rims.



ø	Type	Weight	Order no.
inch		kg	
22.5"	22.5 x 7.50	33.5	650 511 833
22.5"	22.5 x 8.25	36.0	650 511 836
22.5"	22.5 x 9.00	83.6	650 511 839

Bolts

TRILEX cup head bolt M18 x 2



Type	Shaft length	Weight	Spare part	Order no.
	mm	kg		
M18 x 2	48	0.130	124-85	659 112 477
M18 x 2	52	0.144	124-86	659 112 468
M18 x 2	55	0,148	124-97	659 112 438
M18 x 2	60	0.154	59T46 124-87	659 112 450
M18 x 2	65	0.170	59T47 124-88	659 112 451
M18 x 2	70	0.177	124-89	659 112 448
M18 x 2	75	0.184	59T48	659 112 452
M18 x 2	80	0.192	59T54 124-90	659 112 453
M18 x 2	95	0.218	59T49 124-91	659 112 454
M18 x 2	110	0.248	59T59 124-92	659 112 455
M18 x 2	125	0.274	59T60 124-93	659 112 456
M18 x 2	140	0.296	59T61	659 112 457
M18 x 2	155	0.320	59T62	659 112 444
M18 x 2	170	0.345		659 112 481

TRILEX bolt M20 x 2



Type	Shaft length	Weight	Spare part	Order no.
	mm	kg		
M20 x 2	57	0.200	125-04 112-615	659 112 616
M20 x 2	80	0.245	125-09	659 112 617
M20 x 2	100	0.293	125-02	659 112 611
M20 x 2	115	0.324	125-01	659 112 612
M20 x 2	130	0.358	125-03	659 112 613
M20 x 2	145	0.394	125-08	659 112 614

TRILEX M18 x 2 bolt



Type	Shaft length	Weight	Order no.
	mm	kg	
M18 x 2	65	0.168	659 112 496
M18 x 2	140	0.295	659 112 494

Clamps

For TRILEX and TUBLEX rims



Type	Weight	Order no.
	kg	
Clamp	0.660	659 002 193
Clamp	0.700	659 002 201
Clamp	0.850	659 002 215
Clamp	0.860	659 002 216

For TRILEX and TUBLEX rims



Type	Weight	Order no.
	kg	
Clamp	0.500	659 002 101
Clamp	0.520	659 002 098
Clamp	0.550	659 002 074
Clamp	0.600	659 002 169
Clamp	1.400	659 002 114
Clamp	0.725	659 002 117
Clamp	0.926	659 002 141

For UNILEX and TUBLEX-E rims (double cone)



Type	Weight	Order no.
	kg	
Clamp	0.600	659 002 199
Clamp	0.650	659 002 224

For UNILEX and TUBLEX-E rims (double cone)



Type	Weight	Order no.
	kg	
Clamp	0.430	659 002 069
Clamp	0.473	659 002 136

For single tyre 15" wheelspiders



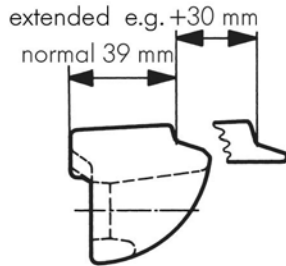
Type	Weight	Order no.
	kg	
Clamp	0.500	659 002 182
Clamp	0.630	659 002 053

**For 20" wheelspiders
and wheel adaptors**



Type	Weight	Order no.
	kg	
Clamp	0.650	659 002 171
Clamp	0.850	659 002 212
Clamp	1.250	659 002 161

**For 24" wheelspiders
and wheel adaptors**



Type	Weight	Order no.
	kg	
Clamp	0.650	659 002 171

**For 20" wheel adaptors with
part no.s 604 260 070/ 074/ 076/ 078**



Type	Weight	Order no.
	kg	
Clamp	0.630	659 002 126
Clamp	0.610	659 002 153

For 15" wheelspiders



Type	Weight	Order no.
	kg	
Clamp	0.640	659 002 180

Nuts and sundries for TRILEX® wheels

Flange nut (6 cams) for TRILEX cup head bolts and TRILEX M18 bolts



Type	Dimensions	Weight	Spare part	Order no.
	mm	kg		
Flange nut	M18 x 2	0.074	78T08 151-12	659 115 300

Flange nut (3 cams) for TRILEX M20 bolts



Type	Dimensions	Weight	Order no.
	mm	kg	
Flange nut	M20 x 2	0.063	659 115 304

Washer



Type	Dimensions	Weight	Order no.
	mm	kg	
Washer	34 x 20 2.5	0.011	659 120 228

Protection cap for covering protruding nuts



Type	Weight	Order no.
	kg	
Protection cap	0.006	659 001 006

Spring clip



Type	Weight	Order no.
	kg	
Spring clip	0.002	659 130 017

Spacing rings for TRILEX® and TUBLEX® rims

Spacing rings



ø	Width	Weight	Spare part	Order no.
inch	mm	kg		
20"	119	7.3	656102042 062 042	656 042 042
20"	124	7.9	656102004 062 044	656 042 044
20"	130	6.4	656102046 062 046	656 042 046
20"	139	8.0	656102049 062 049	656 042 049
20"	147	7.2	52T25	656 042 051
24"	130	10.2	53T52	656 042 446
24"	139	10.9	53T24	656 042 449
24"	147	11.2	53T27	656 042 451

Spacing rings



ø	Width	Weight	Spare part	Order no.
inch	mm	kg		
15"	100	4.7	656061536	656 101 536

Spacing rings



ø	Width	Weight	Spare part	Order no.
inch	mm	kg		
15"	80	3.7	49T10	656 061 529
15"	90	4.2	49T11	656 061 532
15"	120	5.7	49T17	656 061 542
20"	104	6.8	49T14	656 062 037
20"	109	7.2		656 062 039
20"	114	7.6	656102040	656 062 040
24"	166	11.3		656 062 057
24"	177	12.2		656 062 059
24"	156	12.7		656 062 454
24"	177	15.1		656 062 459

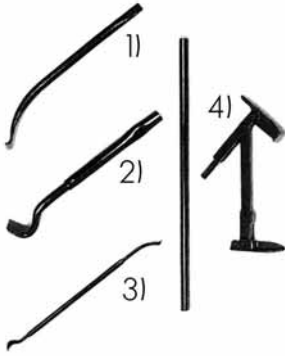
Spacing rings for UNILEX-T rims



ø	Width	Weight	Spare part	Order no.
inch	mm	kg		
20"	102	5.2	1221-00	656 122 136

Tools

For mounting of TRILEX rims



Item	Type	Weight	Order no.
		kg	
1	Rim assembling lever	0.8	659 800 006
2	Rim dismounting lever	1.0	659 800 007
3	Combination lever	3.1	659 800 008
4	Dismantling device for 20"-24"	9.2	659 801 006

For mounting of UNILEX-T rims



Item	Type	Weight	Order no.
		kg	
5	Mounting lever (2)	1.6	659 800 032

For mounting of TUBLEX-G and -N rims



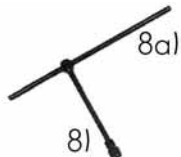
Item	Type	Weight	Order no.
		kg	
6	Double-ended lever (2)	2.0	659 800 000

For mounting of TUBLEX-E rims



Item	Type	Weight	Order no.
		kg	
7	Double-ended lever	2.0	659 800 000

For assembly of wheelspiders and rims



Item	Type	Weight	Order no.
		kg	
8	Socket wrench	1.2	659 800 038
8a	Mandrel	1.2	659 800 039

For mounting of tyres



Type	Weight	Order no.
	kg	
Mounting lubricant	5.0	659 144 002

Valves for TUBLEX® and UNILEX® rims

Valve for hole 10 (9.7) mm

Type: straight



Type	Suitable for rim	Order no.
41 MS/9.7	TUBLEX 11.75 - 650 511 905	659 142 048

Valve for hole 10 (9.7) mm

Type: curved



Type	Suitable for rim	Order no.
102 MS/9.7	TUBLEX-N 7.50 - 650 511 833	659 142 043
119 MS/9.7	TUBLEX-N 8.25 - 650 511 836	659 142 044
133 MS/9.7	TUBLEX-N 9.00 - 650 511 839	659 142 045
80 MS/9.7	TUBLEX-N 7.50 - 650 511 911	659 142 056
80 MS/9.7	TUBLEX-N 8.25 - 650 511 914	659 142 056
80 MS/9.7	TUBLEX-N 9.00 - 650 511 913	659 142 056

Valve for hole 20.5 mm

Type: straight



Type	Suitable for rim	Order no.
120 MSF/20.5/C4	UNILEX 10.00V - 650 311 235	659 142 029
120 MSF/20.5/C4	UNILEX-T 8.50 - 650 311 231	659 142 029

Important assembly instructions

To ensure perfect rim alignment and centring, contact surfaces between wheel centre and rim must be free of paint.

Tighten nuts several times in turn, always round the wheel and not crosswise.

Use the following torques:

for M18 bolts: 270-300 Nm
for M20 bolts: 320-350 Nm

On all new vehicles, and following each changeover of wheels, tighten nuts to the specified torque after a brief trial run and then again after a further 50-100 km (30-60 miles). Check the torque from time to time.

Before assembly, clean all parts such as spoke heads, rim mounting bevel, bolts and clamps.

Never repair or weld them.

Reference lists for wheelspiders / adaptors

With the article order no. you can find out whether spare parts are available.

- S: Current series model, unlimited spare parts available
- ET: Former series model for which spare part availability has a 10-year guarantee
- AM: No spare part availability is legally required, however, spare parts can be obtained as long as stock lasts

If your product is not listed, ask our helpful sales department if mandatory spare part availability exists.

TRILEX wheelspiders for single tyres

Order no.	Size	Note	Spare part
	inch		
604 101 415	20	AM	
604 101 421	20	ET	
604 101 423	20	ET	
604 103 161	20	AM	
604 103 173	20	AM	
604 103 225	20	AM	
604 105 241	24	AM	
604 105 263	20	AM	
604 105 345	20	AM	
604 105 459	24	ET	
604 105 485	20	AM	
604 105 489	20	AM	
604 105 491	20	ET	
604 105 499	20	ET	
604 105 503	20	AM	
604 105 507	20	S	
604 105 511	20	S	
604 105 521	20	AM	
604 105 523	20	AM	
604 105 525	20	AM	
604 107 367	20	ET	604 107 411
604 107 373	20	ET	
604 107 377	24	AM	604 107 433
604 107 401	20	ET	
604 107 403	20	ET	
604 107 405	20	ET	
604 107 409	24	ET	
604 107 411	20	ET	
604 107 445	20	ET	
604 108 269	20	ET	
604 108 281	20	AM	
604 108 301	20	AM	
604 108 303	20	AM	
604 108 307	20	AM	
604 110 489	20	AM	
604 110 547	20	AM	
604 110 557	20	AM	
604 110 627	20	AM	
604 110 683	20	AM	
604 110 687	20	AM	
604 110 705	20	AM	
604 110 709	20	AM	
604 110 717	20	AM	
604 110 721	20	AM	

Order no.	Size	Note	Spare part
	inch		
604 113 143	24	AM	
604 116 203	24	AM	
604 116 217	20	ET	
604 155 145	24	ET	
604 155 159	20	AM	
604 155 187	20	ET	
604 155 191	24	AM	604 155 211
604 155 197	20	ET	
604 155 203	24	S	
604 155 205	20	ET	604 155 209
604 155 207	20	S	
604 155 211	24	AM	
604 155 215	20	S	
604 155 217	20	S	
604 155 219	24	S	
604 156 115	20	ET	
604 165 161	24	AM	
604 165 179	20	AM	
604 165 181	20	AM	
604 165 183	20	AM	
604 165 185	24	AM	
604 174 141	20	ET	
604 174 157	20	ET	
604 174 171	20	AM	
604 174 175	20	AM	
604 194 125	20	AM	
604 194 129	20	AM	
604 194 147	20	AM	
604 194 167	20	AM	
604 194 179	20	AM	
604 194 185	20	AM	
604 194 187	20	AM	
604 202 201	20	S	
604 202 207	20	AM	
604 202 211	20	ET	
604 202 213	20	ET	
604 202 223	20	S	
604 202 243	20	AM	
604 202 249	20	AM	604 202 223
604 202 269	15	ET	
604 209 171	20	ET	
604 209 181	20	ET	
604 233 517	20	ET	
604 243 007	20	ET	

TRILEX wheelspiders for twin tyres

Order no.	Size	Note	Spare part
	inch		
604 105 330	20	AM	
604 105 350	24	AM	
604 105 366	20	AM	
604 105 434	20	AM	
604 105 448	20	AM	
604 105 458	20	AM	
604 105 476	24	AM	
604 105 496	20	ET	
604 105 498	20	ET	604 105 522
604 105 500	20	AM	
604 105 540	20	S	
604 107 410	20	AM	604 107 416
604 107 416	20	AM	
604 107 434	20	S	
604 108 312	20	AM	
604 110 616	20	S	604 110 684
604 110 618	24	ET	
604 110 620	15	AM	
604 110 682	24	S	
604 110 686	24	S	
604 110 702	20	S	
604 110 704	24	S	
604 155 222	24	ET	
604 155 236	20	ET	
604 155 238	20	ET	
604 155 250	20	ET	
604 165 182	24	AM	

Order no.	Size	Note	Spare part
	inch		
604 165 214	20	AM	
604 165 220	20	AM	
604 165 224	20	AM	
604 174 162	20	ET	
604 202 134	20	S	
604 202 136	24	ET	
604 202 158	24	ET	
604 202 194	20	S	
604 202 198	24	S	
604 202 222	24	S	
604 202 224	24	S	
604 202 234	15	S	
604 202 254	20	S	
604 202 260	20	S	
604 202 268	24	S	
604 202 270	20	S	
604 202 296	24	S	
604 202 304	24	S	
604 209 178	20	ET	604 209 188
604 209 186	20	ET	
604 233 020	24	S	
604 233 066	24	S	
604 233 068	24	S	
604 233 508	20	S	
604 233 512	15	ET	
604 233 536	20	AM	
604 243 016	20	ET	

TRILEX wheel adaptors for single tyres

Order no.	Size	Note
	inch	
604 260 023	24	S
604 260 181	24	S
604 260 191	20	S
604 260 193	20	S
604 260 195	20	S
604 260 197	24	S
604 260 199	20	S
604 260 203	24	ET
604 260 205	24	S

Order no.	Size	Note
	inch	
604 260 249	20	ET
604 260 267	20	ET
604 260 269	24	S
604 260 277	24	ET
604 260 313	20	AM
604 260 315	20	S
604 260 325	20	S
604 260 333	24	S
604 260 351	20	S

TRILEX wheelspiders for twin tyres

Order no.	Size	Note
	inch	
604 260 054	24	S
604 260 076	20	ET
604 260 078	20	ET
604 260 154	20	S
604 260 160	20	S
604 260 174	24	S
604 260 188	20	S
604 260 212	20	S
604 260 228	20	ET
604 260 232	24	S
604 260 234	20	S

Order no.	Size	Note
	inch	
604 260 236	20	S
604 260 240	24	S
604 260 250	24	ET
604 260 280	24	S
604 260 282	24	S
604 260 292	24	ET
604 260 296	20	AM
604 260 304	20	ET
604 260 314	20	ET
604 260 316	20	ET
604 260 340	20	S

General Conditions

1 General

1.1 These General Conditions shall apply to all, including future, business between Purchaser and Georg Fischer Verkehrstechnik GmbH, D-78224 Singen (hereinafter referred to as „Georg Fischer“).

1.2 Changes and amendments to these Conditions shall be valid only if made in writing.

1.3 The written form shall include all methods of communication in the form of text (such as Fax, E-Mail, EDI, etc.). This paragraph may be modified or waived only by a separate agreement between the Parties in the form of text.

1.4 No other conditions shall be valid even if not expressly rejected. Performance of the contract by Georg Fischer does not constitute acceptance of such conditions.

2 Offers, Acceptance of Contract

Quotations shall constitute binding offers only if they state a fixed time for acceptance.

3 Scope of Delivery, Dimensions, Weights, Technical Specifications

3.1 Georg Fischer's order confirmation shall govern the scope and execution of its deliveries.

3.2 Dimensional deviations within trade practice as well as deviations in weight of +/- 10% necessitated by the restraints of foundry practice are permitted.

4 Data and Documents

4.1 Technical specifications given by Georg Fischer are to be considered as approximate figures customary in the trade and not as expressly warranted characteristics, unless expressly designated as such.

4.2 Georg Fischer reserves all industrial property rights in the technical documents supplied. They may be used solely for the agreed purposes or for the purposes designated by Georg Fischer.

4.3 With reference to the German „Bundesdatenschutzgesetz“ Georg Fischer hereby explicitly informs Purchaser that personal or other data exchanged in the commercial dealing with Purchaser will be recorded.

5 Price, Terms of Payment, Retention of Title

5.1 Georg Fischer's prices shall be quoted ex works (as defined in the Incoterms issued by the International Chamber of Commerce at the date of order), excluding packaging, freight, insurance and VAT.

5.2 Georg Fischer shall retain title to the Goods delivered until Purchaser has settled all claims which Georg Fischer may have against him.

Should the Purchaser sell Goods to which title is reserved he shall then be deemed to have implicitly assigned to Georg Fischer the proceeds deriving from their sale together with all collateral rights, securities and reservations of title until

all claims held by Georg Fischer shall have been settled. To the extent the value of the goods to which title is reserved together with collateral securities should exceed Georg Fischer claims against the Purchaser by more than 20 (twenty) %, Georg Fischer shall reassign the exceeding proceeds to the Purchaser at his request. In case of default on the part of the Purchaser, in particular in case of arrears, Georg Fischer shall be entitled to repossession of the Goods after having given notice to this effect, and the Purchaser shall be obligated to surrender the Goods.

6 Confidentiality

6.1 Neither Party shall disclose nor make use of any commercial or technical information received from the other Party in the course of business, to the extent said information is not in the public domain.

6.2 The aforementioned obligations shall expire 36 months following the expiry of the business relationship between the Parties. In addition, they shall not apply to the extent information or data is required to be disclosed by order of a public authority or of a court of competent jurisdiction or in connection with the defence in any suit brought against the disclosing Party.

7 Delayed Delivery

In case of delays in delivery, Georg Fischer, to the extent permitted by law, shall not be liable to Purchaser for indirect or consequential damages, such as loss of profit or loss of production.

8 Notification of Defects

8.1 Defects in the Goods discovered by Purchaser in the ordinary course of its business shall immediately be notified to Georg Fischer in writing. To this extent Georg Fischer hereby waives its right of estoppel in case of late notification.

8.2 Reservation is being made for Purchaser's obligation to inspect incoming Goods with regard to identity, quantity and patent transport defects by taking random samples.

9 Warranty

9.1 Georg Fischer warrants the compliance of the Goods with the agreed technical specification, said warranty being exclusive and in lieu of any implied or statutory warranty.

In case Georg Fischer is to manufacture the Goods according to drawings, specifications, samples, etc. of Purchaser, Purchaser shall bear the risk that the Goods are fit for the intended purpose.

9.2 Georg Fischer shall not be liable for defects caused by misuse, faulty assembly or commissioning by Purchaser or third parties, normal wear and tear, faulty treatment nor for defects caused by improper modifications by Purchaser or third parties.

9.3 At Georg Fischer's request and cost, Purchaser shall return all parts to be replaced.

10 General Limitation of Liability

10.1 The warranties set forth in these General Conditions of Sale are expressly in lieu of any express warranty of any kind and in lieu of any implied warranty, including any warranty of merchantability or fitness of the Goods for a particular purpose. Georg Fischer shall not be liable for any loss or damage, directly or indirectly, arising from the use of the Goods sold to Purchaser, for any incidental, special or consequential damages, such as loss of profits, loss of production, loss of use or loss of contract, arising for any reason, including damages resulting from defective design, materials or workmanship or from faulty instructions, irrespective of whether such damages are claimed to arise from breach of contract, in tort, the theory of product liability or otherwise.

10.2 The foregoing limitation of liability does not apply in case of Georg Fischer's statutory liability based on wilful misconduct, gross negligence or products liability acts.

10.3 To the extent Georg Fischer's liability is excluded or limited, such exclusion or limitation shall equally extend to the personal liability of its directors, officers, employees and agents.

10.4 If Purchaser, based on the theory of strict liability, is held liable for personal injury or damage to private property, Georg Fischer will indemnify and hold harmless Purchaser to the extent it would be directly liable itself.

10.5 Georg Fischer's duty of indemnification shall be excluded to the extent Purchaser has validly excluded its liability towards its clients. As far as permitted by law, Purchaser shall exert his best efforts to enter into limitation of liability agreements also for the benefit of Georg Fischer.

11 Statute of Limitations of Liability and Warranty Claims

Subject to longer time periods provided by mandatory statutory law, liability and warranty claims of Purchaser shall be time-barred after 2 years following the receipt of the Goods by Purchaser.

12 Recalls

Georg Fischer's liability for costs incurred by Purchaser in connection with recall campaigns, shall be limited to the scope of coverage of Georg Fischer's insurance policy and to a maximum of 1 Mio. € per occurrence or series of occurrences based on the same defect, unless the Parties, in a particular case, have agreed otherwise.

13 Industrial Property Rights

13.1 Georg Fischer shall be liable for the infringement of third party industrial property rights by the Goods if at least one of the industrial property rights forming part of the pertinent IP-family has been published in the country of Georg Fischer's place of business, by the European Patent Office, in a EU-state or in the United States.

13.2 Georg Fischer shall indemnify and hold Purchaser and his clients harmless from and against all claims resulting from the infringement of such third party industrial property rights.

13.3 Exception is being made to the extent Georg Fischer has manufactured the Goods according to drawings, patterns or similar descriptions or data of Purchaser without knowing or having a duty to know that the Goods are infringing third party rights.

To the extent Georg Fischer, based on the preceding paragraph, is not liable, Purchaser shall indemnify and keep

Georg Fischer harmless from and against all third party claims.

13.4 The Parties shall immediately inform each other of any infringement or alleged infringements coming to their attention.

They shall further coordinate their defence against such claims.

13.5 The aforementioned liability and indemnification does not extend to loss of profits or damage resulting from loss of production.

14 Miscellaneous

14.1 Each Party shall be entitled to the premature termination of the unfulfilled portion of the contract if the other Party fails to pay its bills as they become due, or in case insolvency-, receivership- or similar proceedings have been instituted against the other Party.

14.2 If any part or these General Conditions of Sale or of an agreement between the Parties is or becomes invalid, such determination shall not affect the validity of the remaining provisions of these conditions or of an agreement between the Parties and to this extent the provisions of these Conditions and of any agreement between the Parties are declared to be severable. The Parties shall exert their best efforts to replace the invalid provision by a legally enforceable provision coming closest to the original intention of the Parties.

15 Choice of Law, Venue, Place of Performance

15.1 The contract between Georg Fischer and Purchaser shall be governed in all respects by the laws of Germany without regard to any conflicts of laws provisions.

15.2 Place of performance of the contract shall be Singen, Germany.

15.3 Exclusive place of jurisdiction shall be Singen. Georg Fischer, however, shall be entitled to bring actions in any other court of competent jurisdiction.

Valid as of July 1, 2003

Georg Fischer Verkehrstechnik GmbH
P.O. Box
78221 Singen
Germany

Phone +49 (0) 7731 886 0
Fax +49 (0) 7731 886 704
info@vkt.georgfischer.com
www.vkt.georgfischer.com

VAT no.: DE 811121463
Trade register: Amtsgericht Singen, HRB 669

Sales contact

Management



Beat Frauenfelder
Managing director
Phone +49 (0) 7731 886 700
Fax +49 (0) 7731 886 98 700
Mobile +41 (0) 79 540 75 37
beat.frauenfelder@georgfischer.com



Barbara Mürdel
Management assistant
Phone +49 (0) 7731 886 703
Fax +49 (0) 7731 886 98 703
barbara.muermel@georgfischer.com



Karl-Heinz Heil
Head of sales
Phone +49 (0) 7731 886 702
Fax +49 (0) 7731 886 98 702
Mobile +49 (0) 151 117 202 69
karl-heinz.heil@georgfischer.com

Internal sales

Germany, Austria



Karlheinz Kesenheimer
Sales manager
Phone +49 (0) 7731 886 711
Fax +49 (0) 7731 886 98 711
karlheinz.kesenheimer@georgfischer.com



Michael Horand
Phone +49 (0) 7731 886 711
Fax +49 (0) 7731 886 98 711
michael.horand@georgfischer.com



Marion Samson
Phone +49 (0) 7731 886 712
Fax +49 (0) 7731 886 98 712
marion.samson@georgfischer.com

Scandinavia, United Kingdom, Italy



Mathias Rupf
Phone +49 (0) 7731 886 715
Fax +49 (0) 7731 886 98 715
mathias.rupf@georgfischer.com



Elisabeth Kraus
Phone +49 (0) 7731 886 719
Fax +49 (0) 7731 886 98 719
elisabeth.kraus@georgfischer.com

Export, Remaining Europe, Switzerland



Rolf Heldstab
Sales manager
Phone +49 (0) 7731 886 740
Fax +49 (0) 7731 886 98 740
rolf.heldstab@georgfischer.com



Hanspeter Dill
Phone +49 (0) 7731 886 741
Fax +49 (0) 7731 886 98 741
hanspeter.dill@georgfischer.com



Karoline Placzek
Phone +49 (0) 7731 886 744
Fax +49 (0) 7731 886 98 744
karoline.placzek@georgfischer.com

Address

Georg Fischer Verkehrstechnik GmbH
P.O. Box
78221 Singen
Germany

Phone +49 (0) 7731 886 0
Fax +49 (0) 7731 886 704

info@vkt.georgfischer.com
www.vkt.georgfischer.com

You will find the latest list of our worldwide representatives on our website.: www.vkt.georgfischer.com

External sales

Germany (South), Austria



Walter Wagner
Mobile +49 (0) 171 820 68 78
Fax +49 (0) 7731 886 98 708
walter.wagner@georgfischer.com

Switzerland, Eastern Europe



Joachim Jakob
Phone +49 (0) 7731 886 743
Fax +49 (0) 7731 886 98 743
Mobile +49 (0) 175 292 87 34
joachim.jakob@georgfischer.com

Middle East



Gerd Sollorz
Phone +49 (0) 7731 886 707
Fax +49 (0) 7731 886 98 707
Mobile +49 (0) 171 514 84 92
gerd.sollorz@georgfischer.com

OEM



Gerhard Herberg
Sales manager OEM
Phone +49 (0) 7731 886 789
Fax +49 (0) 7731 886 98 789
Mobile +49 (0) 170 565 11 70
gerhard.herberg@georgfischer.com

Deutschland (Nord)



Peter Lentsch
Mobile +49 (0) 160 96 36 41 36
Fax +49 (0) 7731 886 98 742
peter.lentsch@georgfischer.com

Übriges Europa



Siegfried Büttner
Leiter Verkauf Außendienst
Phone +49 (0) 7731 886 706
Fax +49 (0) 7731 886 98 706
Mobile +49 (0) 171 514 84 91
siegfried.buettner@georgfischer.com

Ferner Osten



Nick Benatzky
Phone +49 (0) 7731 886 716
Fax +49 (0) 7731 886 98 716
Mobile +49 (0) 171 892 57 14
nick.benatzky@georgfischer.com

OEM



Dieter Ekert
Phone +49 (0) 7731 886 709
Fax +49 (0) 7731 886 98 709
Mobile +49 (0) 171 518 40 72
dieter.ekert@georgfischer.com

Local representatives

France



Pascal Richard
Phone +33 (0) 383 251 019
Fax +33 (0) 383 251 019
Mobile +33 (0) 608 660 675
pascal.richard8@free.fr

Italy



Domenico Rizzo
Phone +39 (0) 02 92 186 215
Fax +39 (0) 02 92 140 785
domenico.rizzo@piping.georgfischer.it

Poland



Jan Sapala
Phone +48 (0) 618 267 761
Fax +48 (0) 618 267 761
Mobile +48 (0) 609 779 113
jan.sapala@siodlo.pl

Russia



Igor Rosmachow
Phone +07 (0) 0955 417 612
Fax +07 (0) 0955 417 612
Mobile +07 (0) 1040 362 56
rosmachow@teleintercom.ru

United Kingdom, Ireland



Tim Moody
Phone +44 (0) 1202 701 551
Fax +44 (0) 1202 701 551
Mobile +44 (0) 7793 017 351
timmoody17@hotmail.com

United Kingdom



Ian Herbert
Phone +44 (0) 1476 401 593
Fax +44 (0) 1476 401 593
Mobile +44 (0) 7813 324 564
ianherbert@ntlworld.com

Scandinavia, OEM

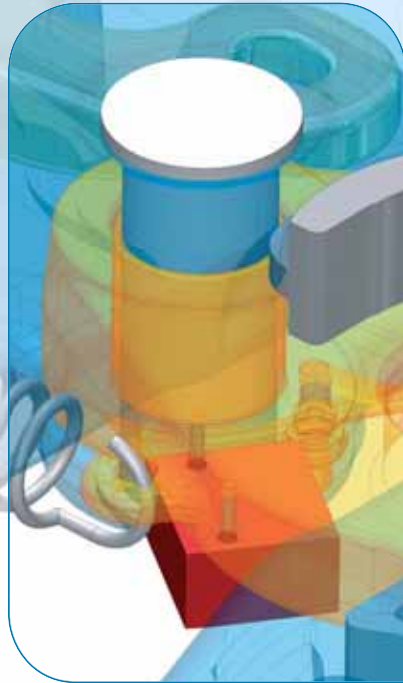


Dirk Schneider
Phone +46 (0) 850 677 510
Fax +46 (0) 874 923 70
Mobile +46 (0) 734 339 002
dirk.schneider@georgfischer.com

Australia, New Zealand



Geoff Shortland
Phone +61 (0) 733 156 599
Fax +61 (0) 733 156 599
Mobile +61 (0) 409 996 888
g.shortland@georgfischer.com.au



- Fifth Wheels
- Mounting Plates
- Sliders
- Kingpins
- Ball Races
- TRILEX®-Wheel System
- Accessories

Online catalogue
www.vkt.georgfischer.com

Georg Fischer Verkehrstechnik GmbH
P.O. Box
78221 Singen
Germany

Phone +49 (0) 7731 886 0
Fax +49 (0) 7731 886 704

info@vkt.georgfischer.com
www.vkt.georgfischer.com